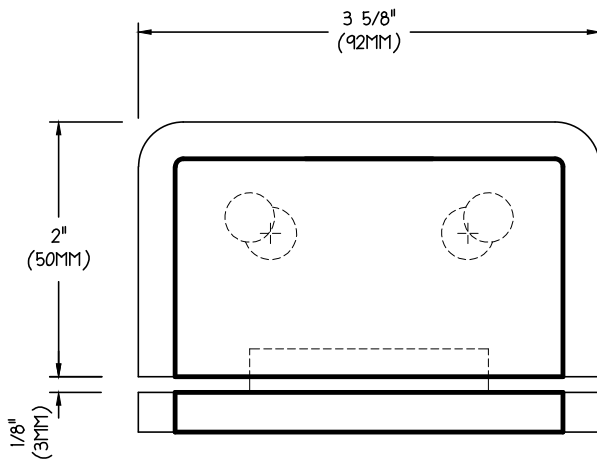
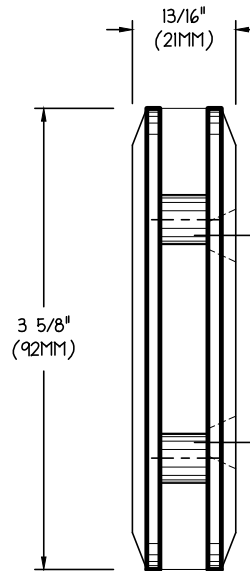
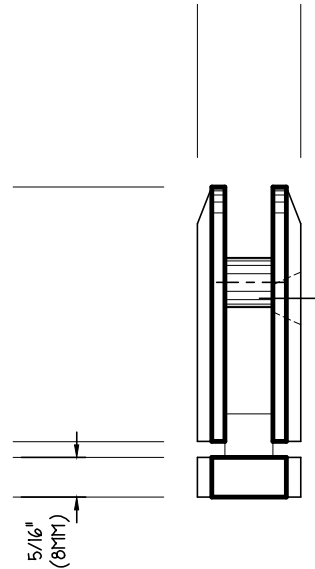


ISOMETRIC VIEW

PLAN VIEW



SIDE VIEW



FRONT VIEW

MURANO:
BEVELED PIVOT

REF. MURANO'S SERIES / CAT. No. GH301-360

FOR TECHNICAL & FABRICATION QUESTIONS, PLEASE CONTACT YOUR SALES REPRESENTATIVE.