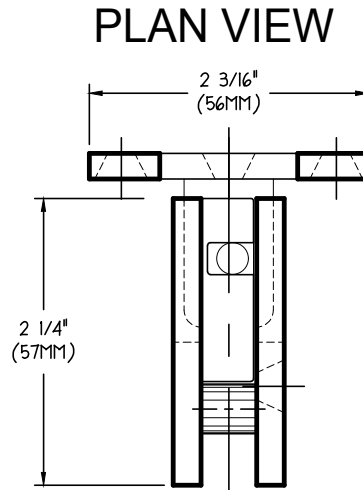
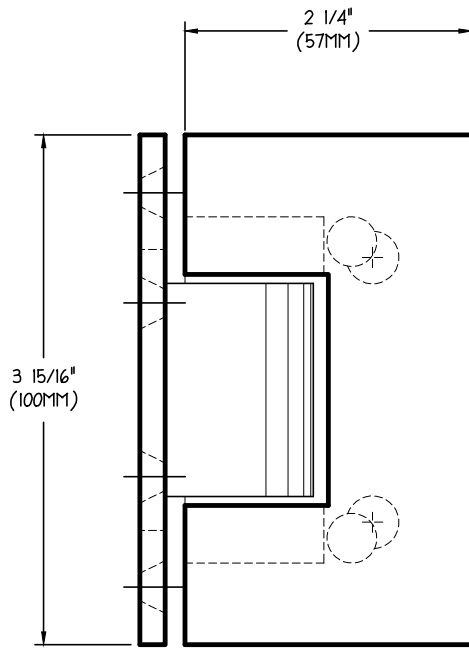


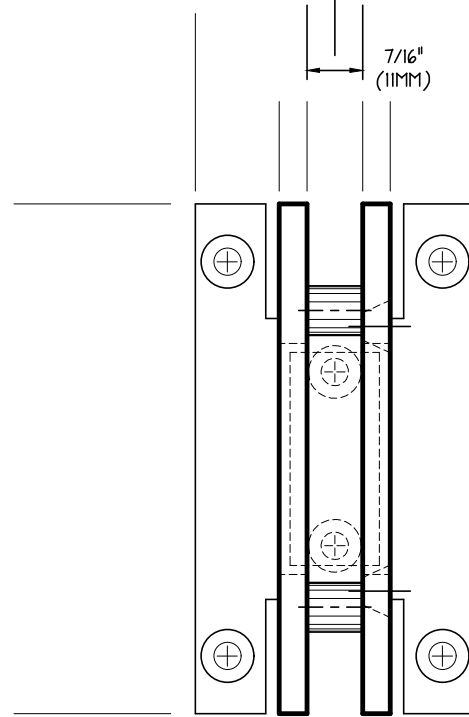
ISOMETRIC VIEW



PLAN VIEW



SIDE VIEW



FRONT VIEW

# MURANO: SQUARE H PLATE HINGE

WITH H PLATE

REF. MURANO'S SERIES / CAT. No. GH101-BT-H

FOR TECHNICAL & FABRICATION QUESTIONS, PLEASE CONTACT YOUR SALES REPRESENTATIVE.

SHOWER DOOR HARDWARE