



GLASS HINGE:

GH101
GH101-H
GH301-H

SPECIFICATIONS

Material: Solid brass

Glass sizes: 3/8" (10mm) to 1/2" (12mm) thick tempered safety glass
Cutout Required

Closing Type: Self-centering when within 15° of closed position.

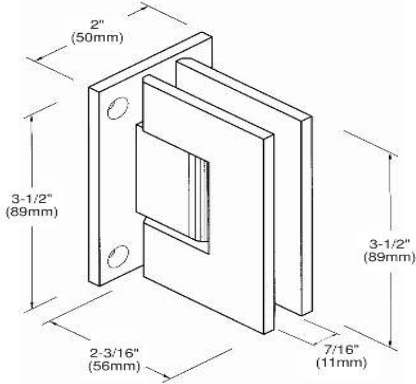
Includes: Gaskets, Screws and Template.

***RECOMMENDATIONS:**

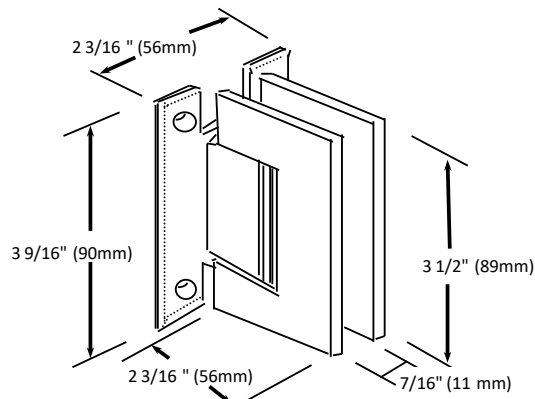
For public safety, we recommend the use of only tempered safety glass. Do not use power tools when installing these hinges.

Door Capacities	GLASS SIZES			
	Weight	3/8" (10mm) Width	Weight	1/2" (12mm) Width
using 2 hinges	80 lbs. (50kg)	28" (711mm)	80 lbs. (36kg)	28" (711mm)
using 3 hinges	120 lbs (64 kg)	32" (813mm)	120 lbs (54 kg)	32" (813mm)

SQUARE FULL PLATE- GH101



SQUARE H PLATE- GH101-H



BEVELED H PLATE - GH301-H

