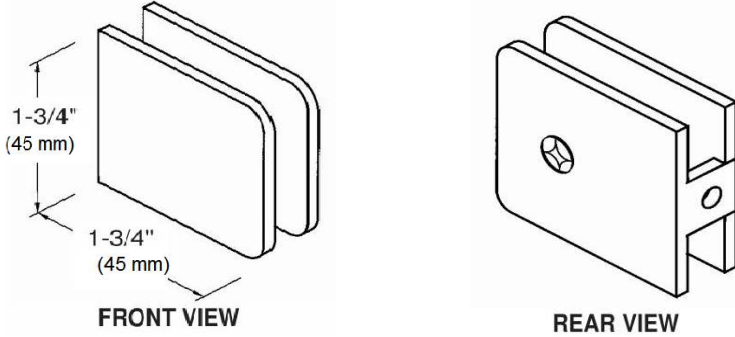
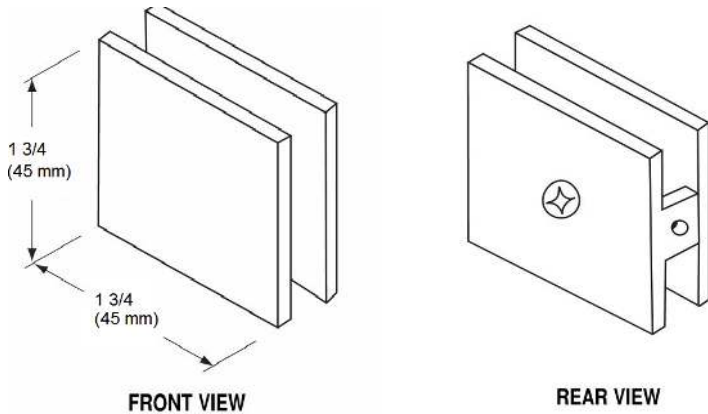


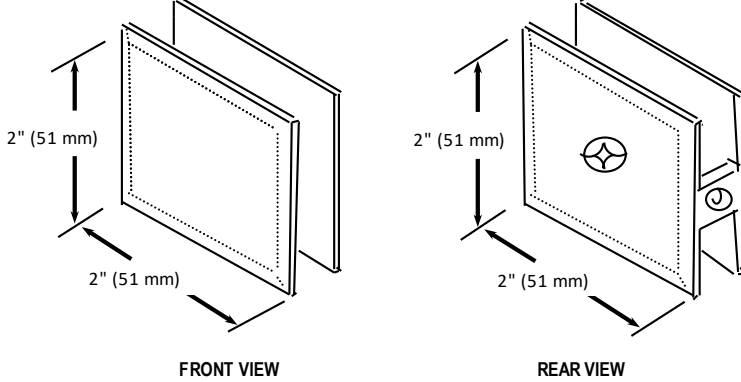
ROUNDED CLIPS FC150



SQUARE CLIPS FC140



SQUARE BELEVED CLIPS FC170



GLASS CLIPS:

FC140
FC150
FC170

SPECIFICATIONS

Material: Solid brass

Glass Thickness Range: 5/16" (8mm) to 1/2" (12mm)

Hole Size required: 5/8" (16mm) or 3/4" (19mm)

Includes: Mounting screws and gaskets

Note: An additional set of gaskets is required for 5/16" (8mm) glass.

TEMPLATE:

Important: Project measurement from the edge of the glass

