



ALDORA
MURANO
SHOWER HARDWARE

**90 DEGREE CONNECTOR BRACKET
SR505G**

SPECIFICATIONS:

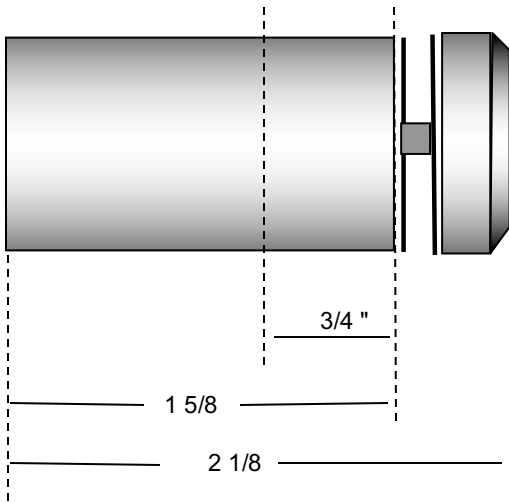
Material: Solid brass

Glass Thickness Range: 3/8"

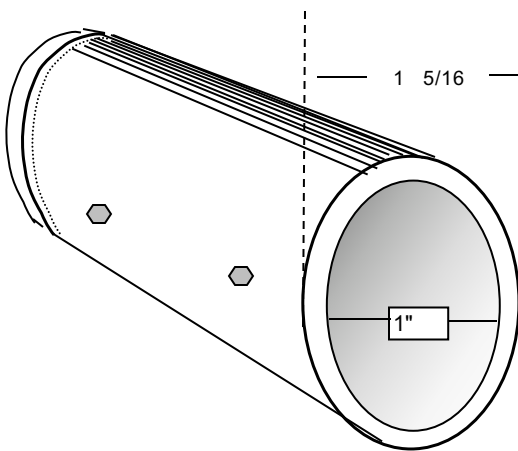
Hole Size required: 5/8"

Includes: gaskets

SIDE VIEW



FRONT VIEW



TEMPLATE:
Important: Project measurement from the edge of the glass

