

**GLASS PIVOT HINGE :**

GH301-360

**SPECIFICATIONS**

**Material:** Solid brass

**Glass Sizes:** 3/8"(10mm) thick tempered safety glass.

**Cutout Required.**

**Closing Type:** Self-centering when within 15° of closed position.

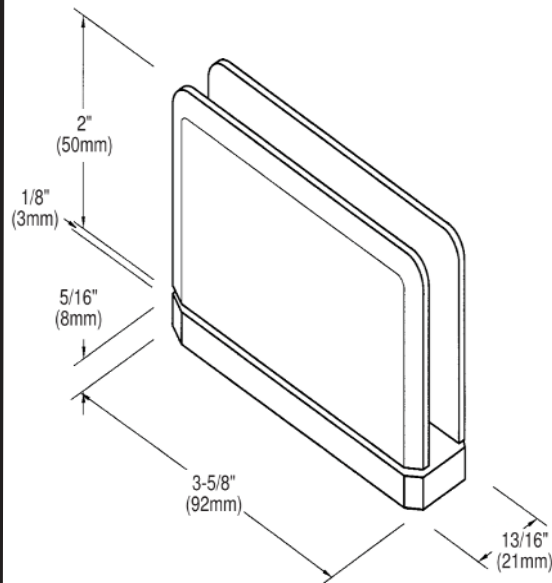
**Includes:** Gaskets, Screws and Template.

**\*RECOMMENDATIONS:**

For public safety, we recommend the use of only tempered safety glass. Do not use power tools when installing these hinges.

Maximum	GLASS SIZES	
	3/8" (10mm)	
Door Capacities	Weight	Width
	using 2 hinges	100 lbs. (46kg)

**TOP OR BOTTOM BEVELED PIVOT**



**IMPORTANT:**

Project measurements from the edge of the glass.

