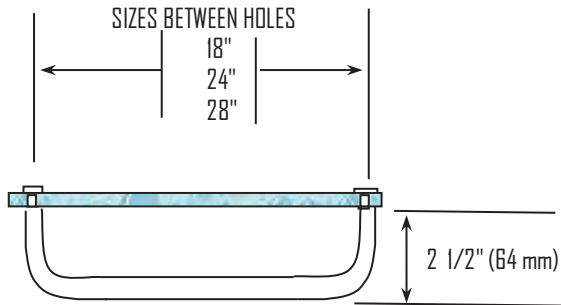
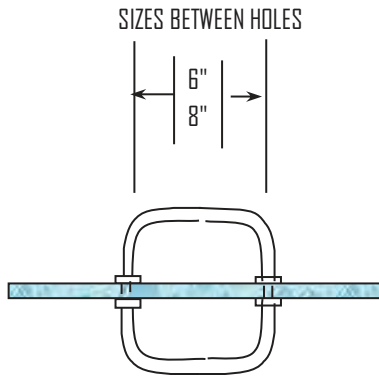


SINGLE SIDED TOWEL BAR DH502



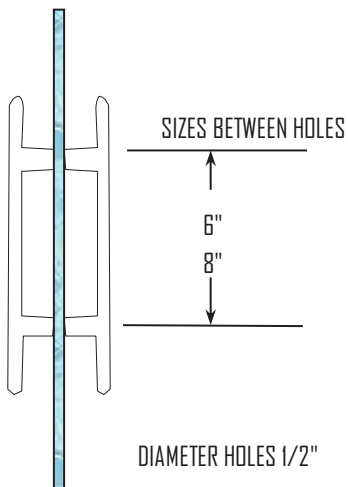
DIAMETER HOLES 1/2"

TUBULAR HANDLE WITH WASHERS DH704

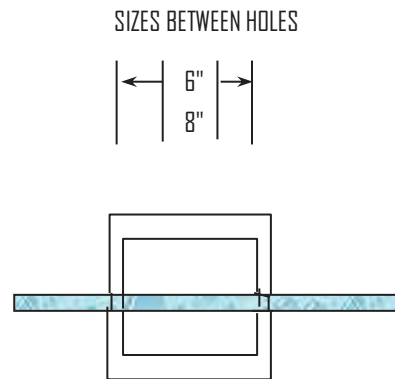


DIAMETER HOLES 1/2"

LADDER PULL DH120



SQUARE HANDLE DH803



DIAMETER HOLES 1/2"

SPECIFICATIONS

Material: Stainless Steel

Hole Diameter: All holes are 1/2" Diameter.

Glass: All measurements are Center-to-Center appropriate Clear Gasket included fits 1/4" to 1/2" Glass.