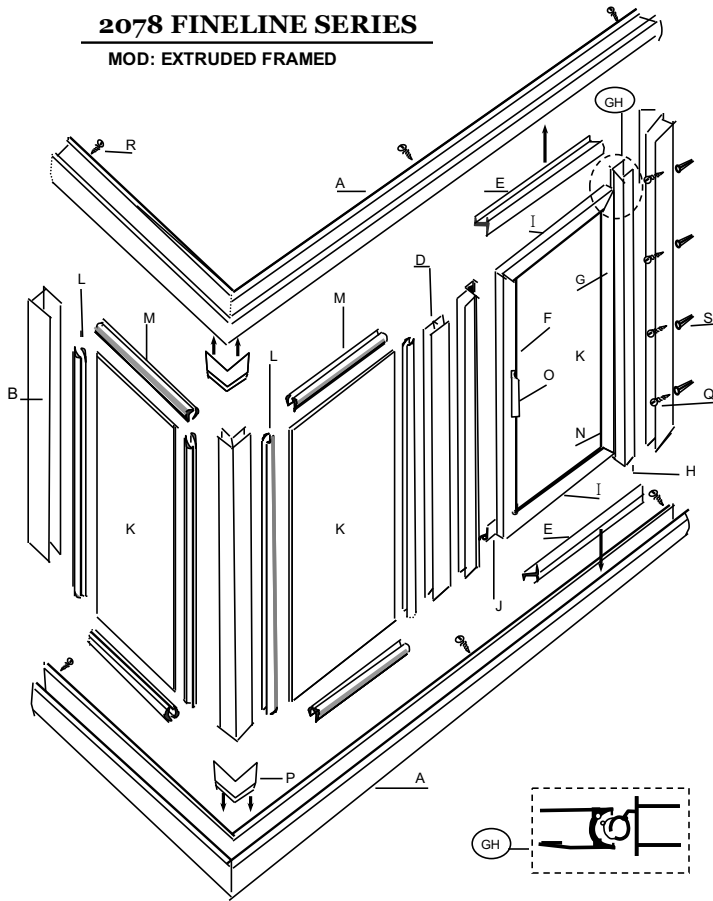


2078 FINELINE SERIES

MOD: EXTRUDED FRAMED



PETERSON SHOWER DOORS

7350 Northwest 37th Avenue | Miami, Florida 33147
Telephone: 305-691-7943 | Fax: 305-693-0754

GLAZED: INCLUDE GLASS

KD: DOES NOT INCLUDE GLASS

WHEN ORDERING REPLACEMENT PARTS, REFER TO
PART NO. ,DESCRIPTION & MODEL NO.

KEY	PART NO	DESCRIPTION	QTY
A	1909	Header & Sill	2
B	1512	U-channel	2
C	1511	Strike Jamb Magnetic	1
D	1510	Mullion	1
E	1513	Curb Filler	2
F	1902	Magnetic Side Frame	1
G	1506	Struded Side Frame	1
H	1507	Struded Strike Jamb-vinyl	1
I	1901	Top & Baron Frames	2
J	308	Drip Pan	1
K		Glass Tempered	3
L	280 / 480	Vertical vinyl (Glass 3/16 / 1/4)	
M	281 / 481	Horizontal vinyl (Glass 3/16/1/4)	
N	80	Door vinyl (Glass 3/16)	
O	2006	Pull Handle BTB	1
P	PI-1520	Header Brake 90°	2
Q	43	Installations Screws 8x1	8
R	42	Adjustments Screws 6x3/8	12
S	64	Plastic Anchors	8