

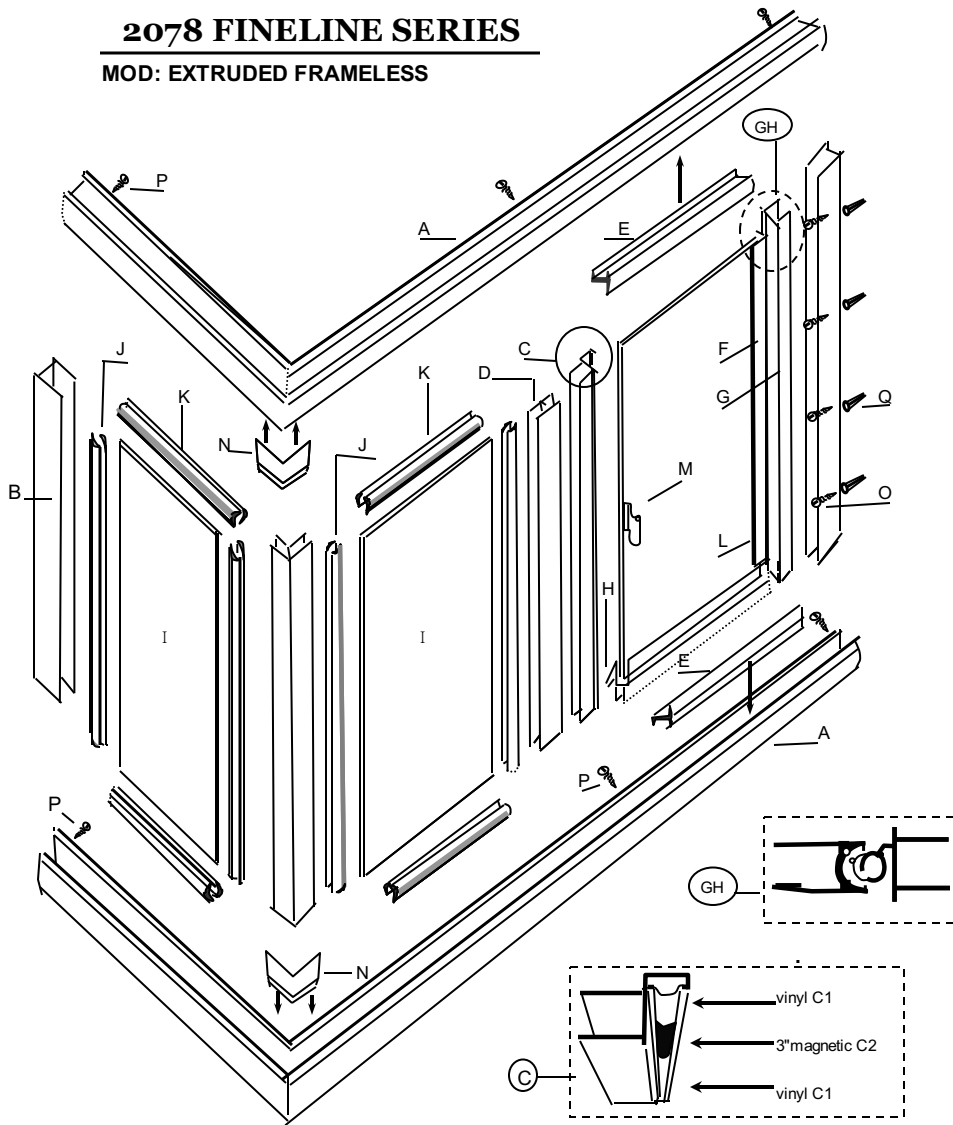
2078 FINELINE SERIES

MOD: EXTRUDED FRAMELESS



PETERSON SHOWER DOORS

7350 Northwest 37th Avenue | Miami, Florida 33147
Telephone: 305-691-7943 | Fax: 305-693-0754



GLAZED: INCLUDE GLASS

KD: DOES NOT INCLUDE GLASS

WHEN ORDERING REPLACEMENT PARTS, REFER TO PART NO., DESCRIPTION & MODEL NO.

KEY	PART NO	DESCRIPTION	QTY
A	1909	Header & Sill	2
B	1512	U-channel	2
C	1511	Strike Jamb w/Vinyl & Magnetic	1
C1	PI196	Vinyl	
C2	PI1217	Magnetic 3"	
D	1510	Mullion	1
E	1513	Curb Filler	2
F	1506	Struded Side Frame	1
G	1507	Struded Strike Jamb-vinyl	1
H	P914WS	Polycarbonate Drip Sweep	1
i		Glass Tempered	3
J	280 / 480	Vertical vinyl (Glass 3/16 / 1/4)	
K	281 / 481	Horizontal vinyl (Glass 3/16/1/4)	
L	286	Door vinyl (Glass 1/4)	
M	1826	Handle w/ magnetic 3"	1
N	PI-1520	Header Brake 90°	2
O	43	Installations Screws 8x1	8
P	42	Adjustments Screws 6x3/8	12
Q	64	Plastic Anchors	8