

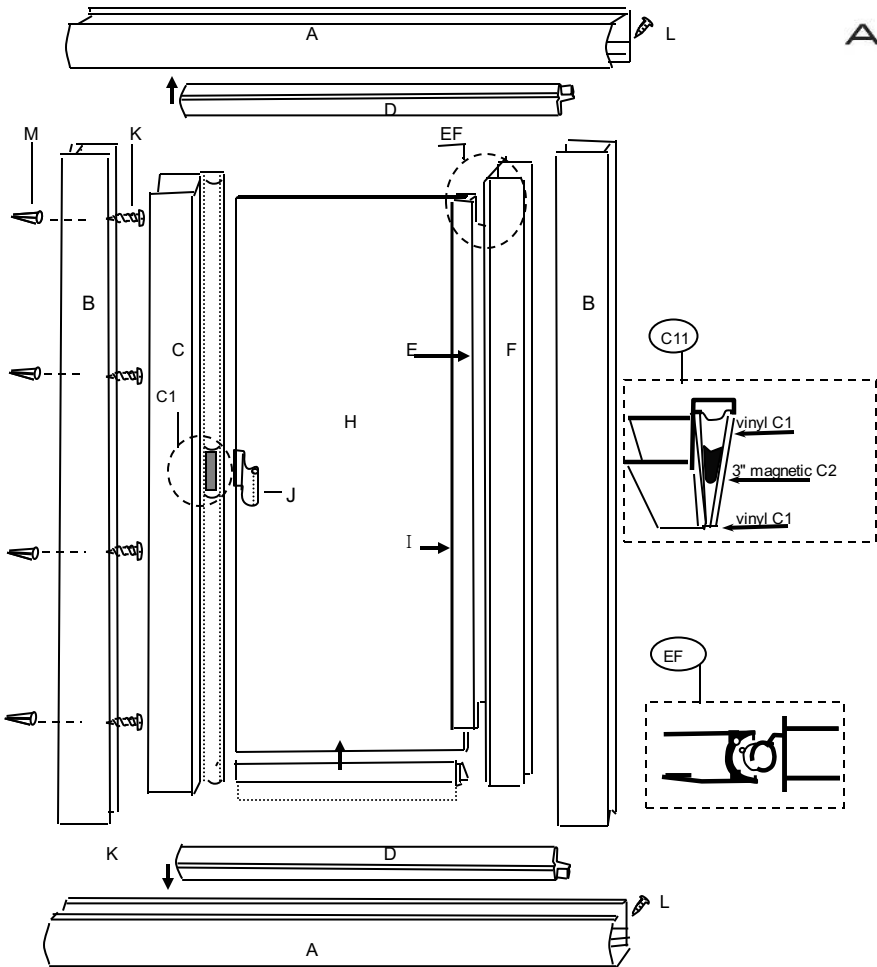
# 600-FINELINE SERIES

MOD: EXTRUDED FRAMELESS



# PETERSON SHOWER DOORS

7350 Northwest 37th Avenue | Miami, Florida 33147  
Telephone: 305-691-7943 | Fax: 305-693-0754



GLAZED: INCLUDE GLASS

KD: DOES NOT INCLUDE GLASS

WHEN ORDERING REPLACEMENT PARTS, REFER TO  
PART NO. , DESCRIPTION & MODEL NO.

KEY	PART NO	DESCRIPTION	QTY
A	1909	Header & Sill	2
B	1512	U-channel	2
C	1511	Strike Jamb w.Vinyl & Magnetic	1
C1	PI196	Vinyl	
C2	PI1217	Magnetic 3"	
D	1513	Curb Filler	2
E	1506	Struded Side Frame	1
F	1507	Struded Strike Jamb-vinyl	1
G	P914WS	Polycarbonate Drip Sweep	1
H		Glass Tempered	1
I	286	Door vinyl (Glass 1/4)	
J	2006	Pull Handle BTB	1
K	43	Installations Screws 8x1	8
L	42	Adjustments Screws 6x3/8	8
M	64	Plastic Anchors	8