

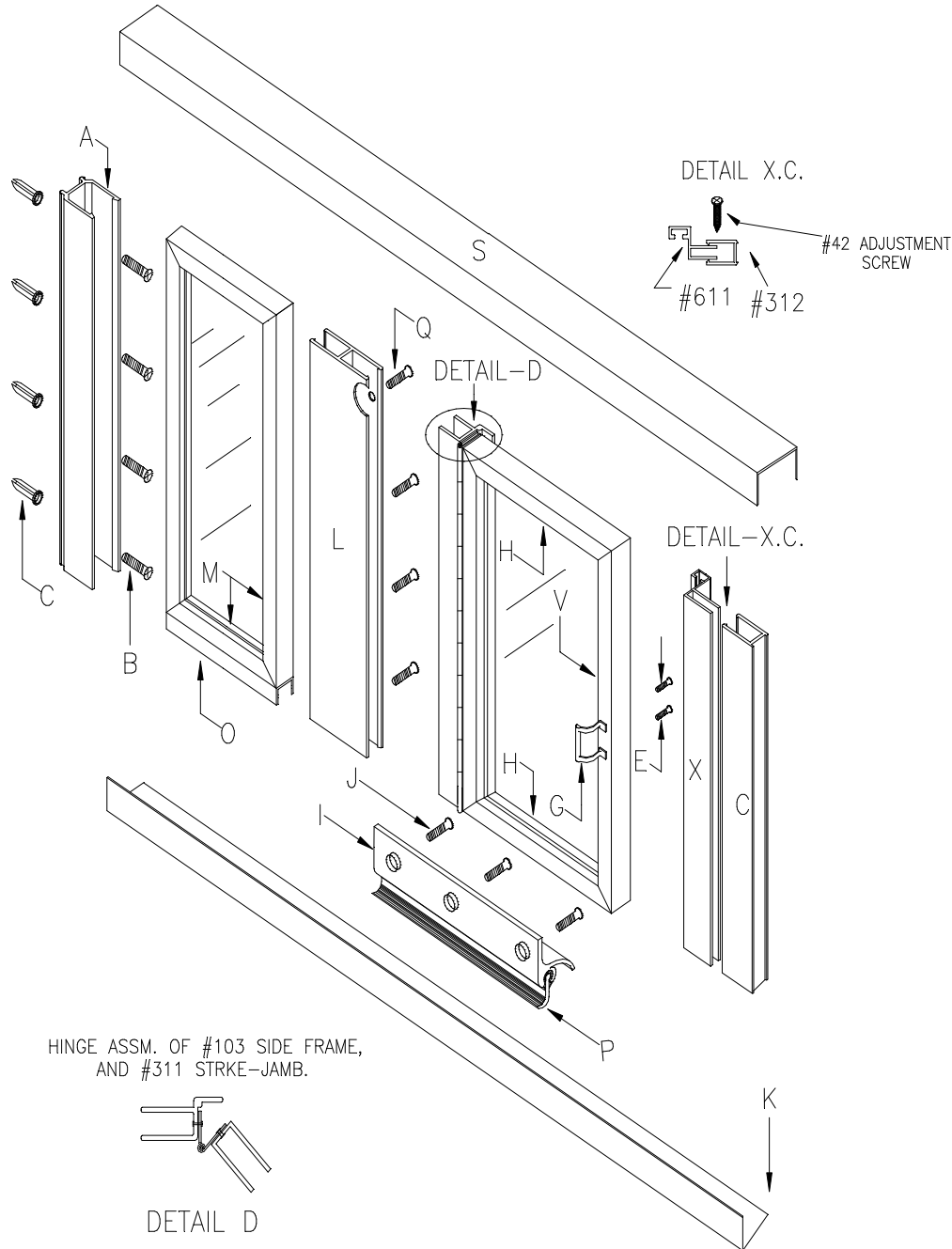
# BARON 440 SERIES

SHOWER DOOR & PANEL

GLAZED  
INCLUDES  
GLASS or PLASTIC



DOES NOT INCLUDE  
GLASS or PLASTIC



WHEN ORDERING REPLACEMENT PARTS,  
REFER TO PART # DESCRIPTION & MODEL #

KEY LETTER	PART #	PART LIST DESCRIPTION	QUAN.
A	312	U-Channel	2
B	43	Installation Screw 8x1 PH Pan	8
C	64	Plastic Wall Anchors	8
D	HA-68	Hinge Assm.	1
E	40	Handle Screw 8-32x3/8 PH TR	2
F	616F	Handle Female	1
G	616M	Handle Male	1
H	103	Top & Bottom Frame (Door)	2
I	308	Drip Pan	1
J	42	Drip Pan Screw 6x3/8 PH Pan	4
K	313	Bottom Angle	1
L	310	Mullion	1
M	103	Side Top and Bottom Frame	4
N	80	Glazing Vinyl (3/16")	29ft
O	103	Panel Shim	1
P	82	Drip Pan Vinyl	1
Q	42	Adj Screw 6x3/8 PH Pan	12
R	41	Assm Screw 8-32x1/2 PH FH*	16
S	209	Header	1
T	20	Corner Lock*	8
U	91	Magnetic Strip	1
V	203	Magnetic Side Frame (Door)	1
* Not Shown			

To cut door top & bottom frames, first determine desired door opening, then cut frames less 3". EX: 24" door = 21" top & bottom frame width.

Panel top & bottom frame width = O.A. opening less 3 1/4" less door top frame width. EX: 36 1/4" O.A. less 3 1/4" = 33" less 21" = panel frame 12".

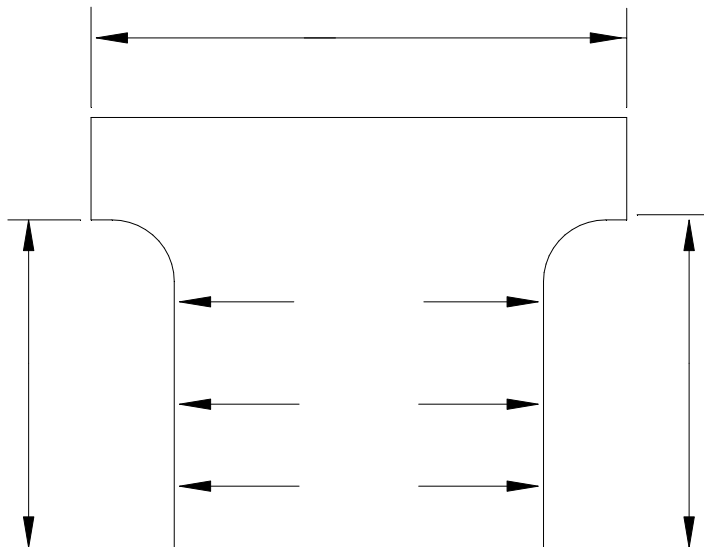
Glass size = frame size less 1 1/2" in ht. & width.

# BARON 440 SERIES

## SHOWER DOOR & PANEL

### Beware

1. Door to always be away from shower head and swings out.
2. When measuring, look out for towel bars, lavatories, ect. Anything that would obstruct the door from opening.
3. All measurements to be taken facing the enclosure while standing in the bathroom.
4. Give accurate measurements between all arrows.
5. Show location of panel (left or right) same as dashed line in diagram below.



### Installation Notes

1. Cut bottom angle (K) to length, caulk and install.
2. Install jamb (A) on wall, use 3/16" drill bit to make holes in walls.
3. Slide panel into jamb (A) against wall.
4. Slide mullion (L) into place.
5. Install adjustable strike jamb using the adjustment to give 3/16" clearance between door and jamb.
6. Adjust panel to show the same amount of frame on each side.
7. Cut and install header (S).
8. Secure panel on inside of enclosure to all surrounding members.
9. Install drip pan (I) on bottom frame, inside of door.
10. Caulk entire unit inside and out.