

# BARON SERIES

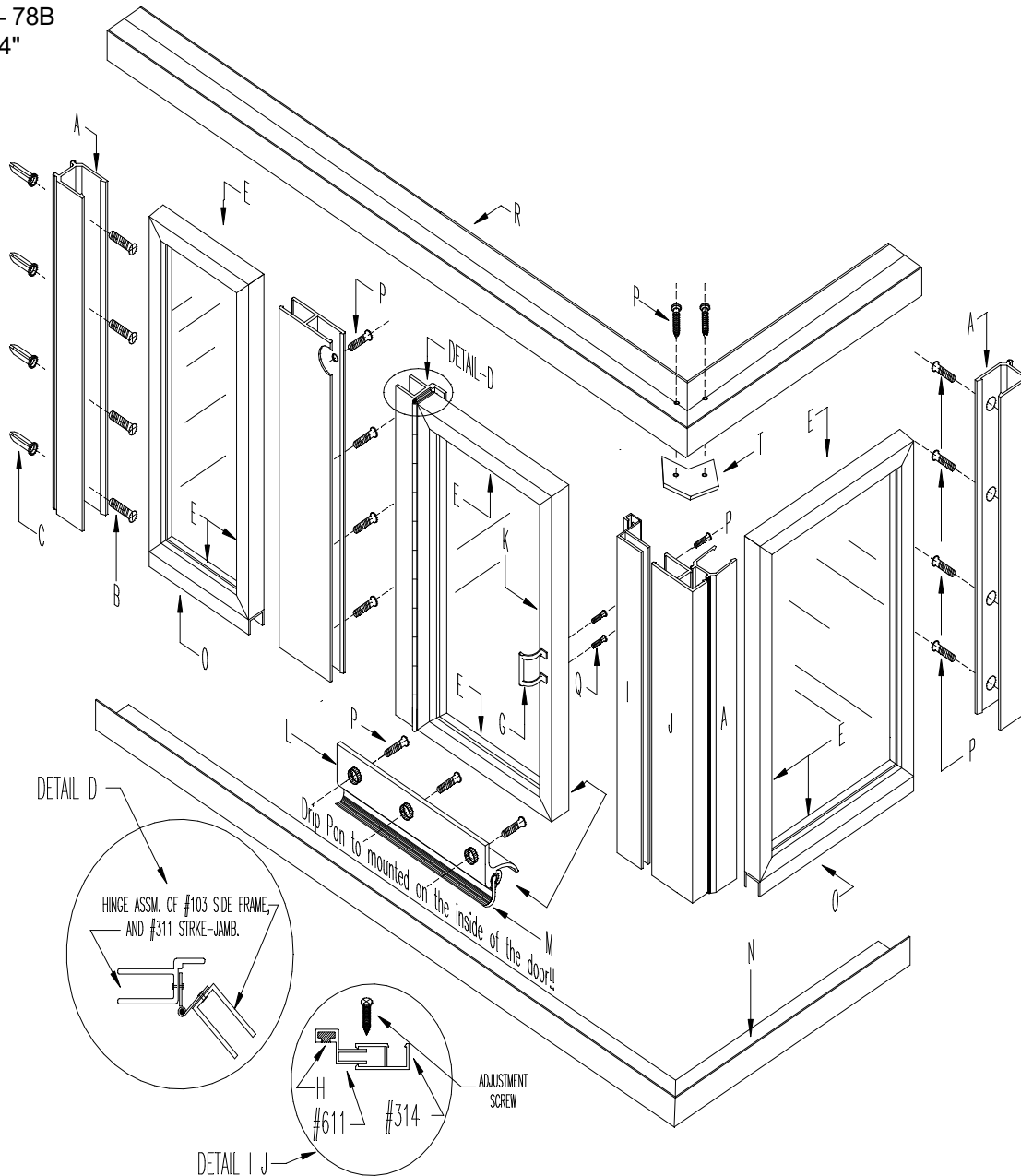
Door and Inline Panel with 90 Degree Return  
SHOWERENCLOSURE

MODEL - 78B  
Ht. 69 3/4"

GLAZED  
INCLUDES  
GLASS or PLASTIC



KD  
DOES NOT INCLUDE  
GLASS or PLASTIC



## WHEN ORDERING REPLACEMENT PARTS REFER TO PART# DESCRIPTION & MODEL#

KEY LETTER	PART	PARTS LIST DESCRIPTION	QTY
A	312	U-Channel	3
B	43	Installation Screw #8x1" Ph Pan SMS	8
C	64	Plastic Wall Anchor	8
D	HA-68	Hinge Assembly	1
E	103	Side Top and Bottom Frame	10
F	616M	Male Handle	1
G	616F	Female Handle	1
H	91	Magnetic strip	13'
I	611	Magnetic strike jamb	1
J	314	90 Degree Post	1
K	203	Magnetic Side Frame	1
L	308	Drip pan	1
M	82	Drip pan vinyl	1
N	313	Bottom angle	2
O	103	Spacer	2
P	42	Adjustment Screw 6x3/8 PH Pan SMS	28
Q	44	Handle Screw 8-32x3/8" PH Truss MS	2
R	209	Header	2
S	41	Assm Screw 6x3/8 PH Pan	24
T	21	Header angle bracket	1
U	80	Glazing vinyl (3/16")	48'
V	20	Corner lock	12

To cut door top & bottom frames, first determine desired door opening, then cut frames less 3".

EX: 24" door = 21" top & bottom frame width.

Sidelite top & bottom frame width = O.A. opening less 3 3/4" less door top frame width. EX: 36 3/4" O.A. less 3 1/4" = 33" less 21" = panel frame 12".

Return lite top & bottom frame width = opening less 1"

Glass size = frame size less 1 1/2" in ht. & width.

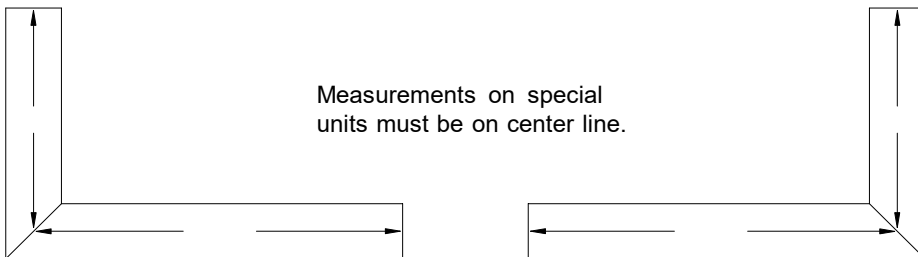
# BARON SERIES

Door and Inline panel with 90 Degree Return  
SHOWER ENCLOSURE

MODEL - 78B  
Ht. 69 3/4"

## PLEASE NOTE

1. When measuring look out for towel bars, electric switches, paper holders, tile obstruction, etc.
2. All measurements to taken facing the enclosure while standing in the bathroom.
3. Give accurate measurements between all arrows.
4. Show location of each panel and door, right or left hand hinge and whether it swings in or out.



## INSTALLATION NOTES

1. Locate bottom angle (N), and cut from the ends nearest wall if necessary to make it fit. Caulk and install.
2. Install U-channels (A) against walls, use 3/16" drill bit to make holes.
3. Slide return panel into position.
4. Slide #314 post into position.
5. Slide door into position, adjust & secure fixed panel on handle side of door having a 3/16" clearance between door and (G).
6. Cut header to length by cutting ends nearest wall and install.
7. Check fixed panels to be certain that they are secured to all surrounding members. Use screw #42.
8. Install drip pan on bottom frame on the inside of door.
9. Caulk entire unit inside & out.