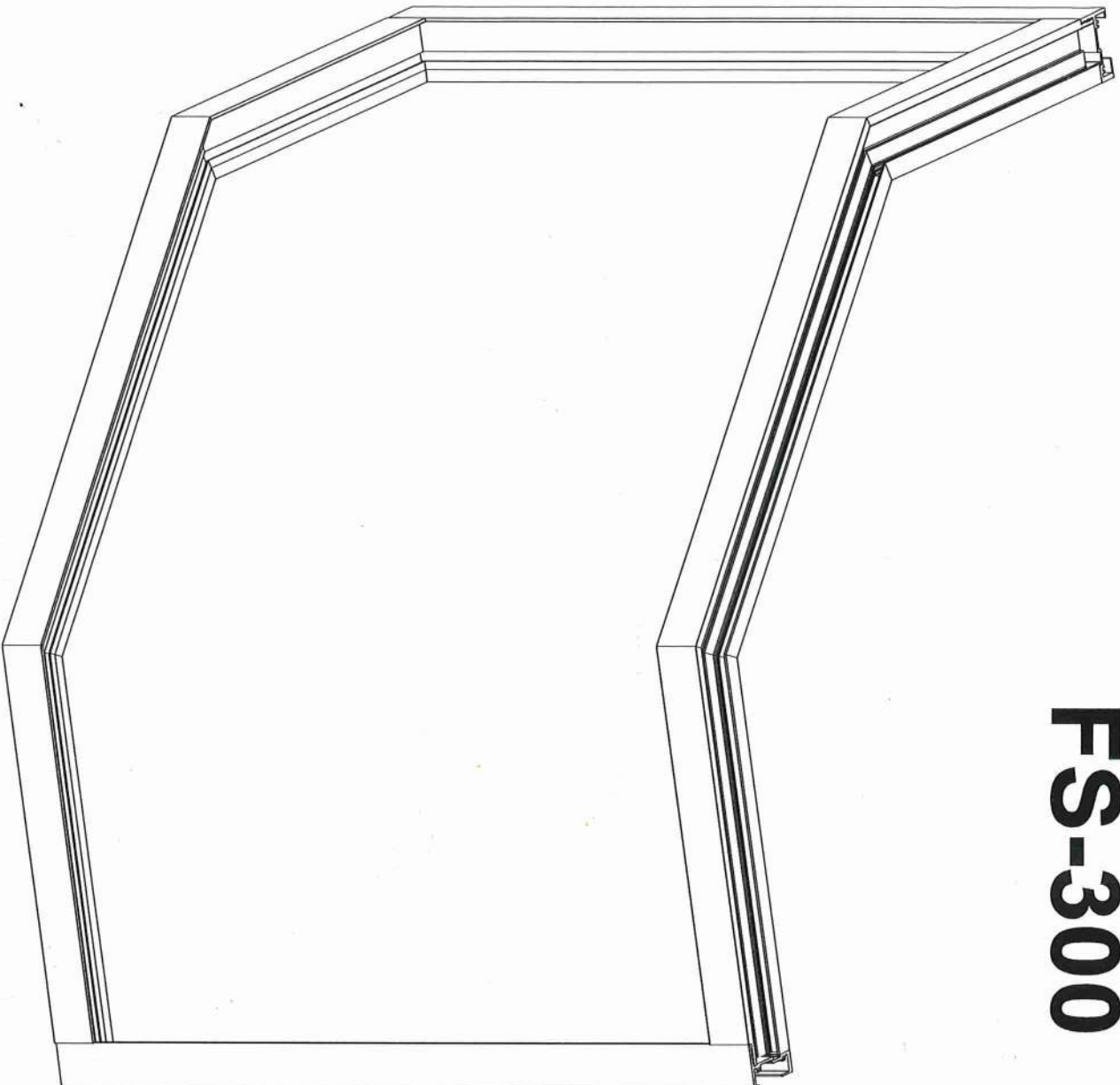


FS-300



MAXIMUM VIEW SYSTEM

1 INSTALLATION INSTRUCTIONS

CONTENTS

PAGE

GENERAL INSTALLATION NOTES.....	3
PARTS IDENTIFICATION.....	4
TYPICAL WINDOW DETAILS.....	5 - 8
FABRICATION: ASSEMBLY SCREW.....	9
FABRICATION: SPECIAL NOTCHES.....	10 - 11
SYSTEM ASSEMBLY (TYPICAL).....	12 - 14
INSTALLATION.....	15 - 18
GLAZING: 15/16" THK. LAM. GLASS.....	19
GLAZING: 1 3/16" THK. LAM. GLASS.....	20

2 INSTALLATION INSTRUCTIONS



ALDORA











GENERAL INSTALLATION NOTES

1. Safety- Safety should be the primary concern throughout the installation process. Keep the installation areas clear of debris and obstructions. Lift and carry products carefully using proper lifting procedures. Always wear safety gear as determined by products and or jobsite conditions.
2. Building Code- The Building Code determines the requirements of products to be used on a project. Aldora manufactures products to the installer's specifications; however, Aldora does not assume any responsibility for the suitability of its products for any project. It is the responsibility of the glazier to ensure each product meets the project requirements.
3. Openings- Measure the openings to determine if they match the building plans. Notify the General Contractor immediately to correct any deviance.
4. Shop drawings- Review shop drawings to ensure all materials have been manufactured in accordance with the shop drawings.
5. Receiving- Inspect all products upon receipt. Do not install any damage or deficient products. Return to Aldora immediately for correction.
6. Protection- Protect all materials from damage including cement, stucco, paint, mud or other abrasives or chemicals. Materials need to be protected properly before, during and after installation.
7. Fields testing- Glaziers must fully understand all sealing procedures in advance of installation. If installed correctly and properly sealed, Aldora's products will achieve satisfactory results during field test. Aldora will not accept any responsibility for installation deficiencies.

Pre-installation

1. Checklist- Working from a checklist, bring all necessary documents, tools, equipment and supplies to the jobsite.
2. Products- Review all products versus the shop drawings to ensure everything is at the jobsite. Examine mark numbers to verify proper products per opening.
3. Sealants- Ensure compatibility of the sealant with all products involved.
4. Anchors- Verify anchors supplied match shop drawings.
5. Opening preparation- Clean opening of all debris and examine for level and plumb.
6. Aluminum surfaces in contact with lime-mortar, concrete or other masonry materials, shall be protected with alkali-resistant coating.

FS-300 MAXIMUM VIEW SYSTEM
PARTS IDENTIFICATION

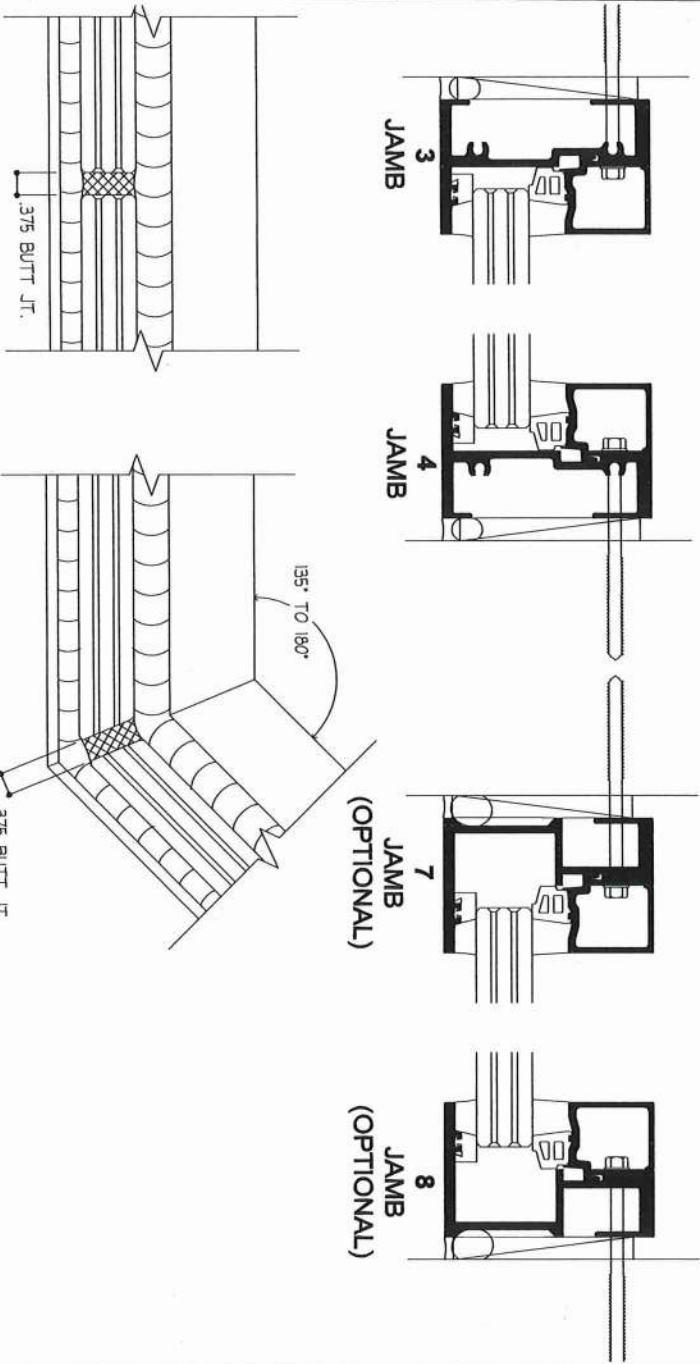
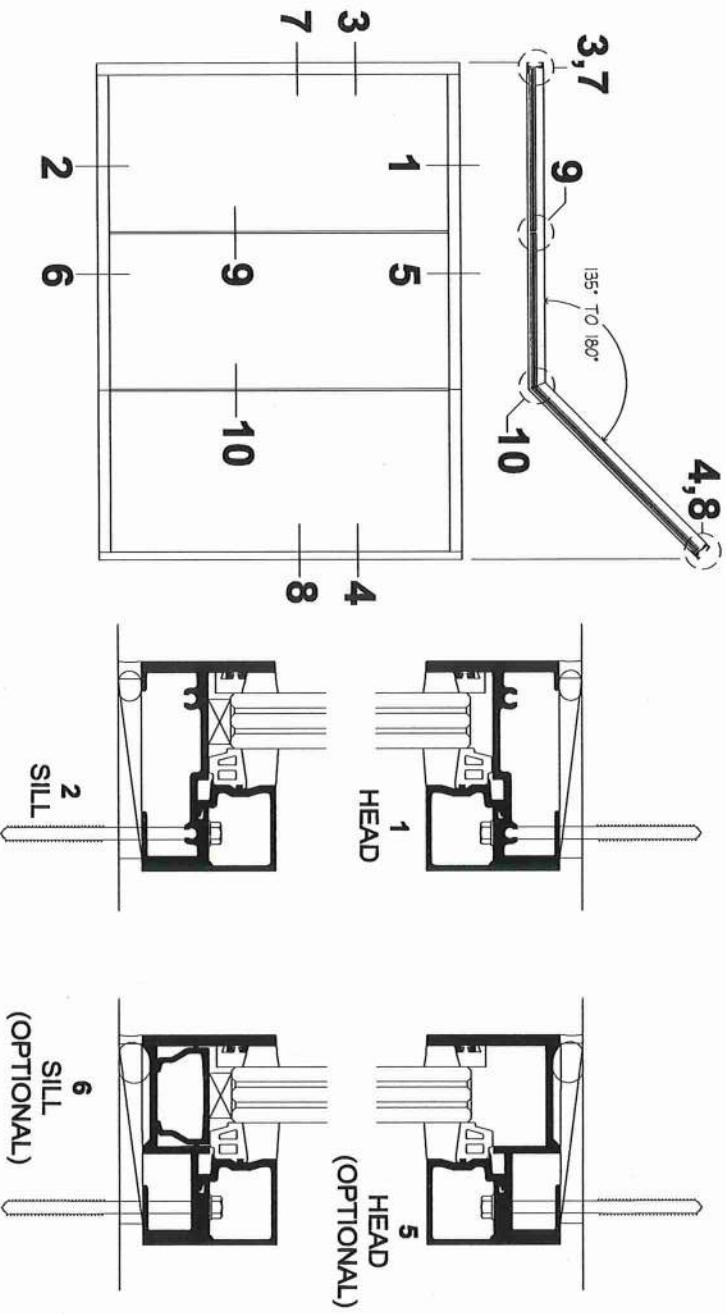
PROFILE	PART #	DESCRIPTION	PROFILE	PART #	DESCRIPTION
	SMI-451	HEAD, SILL & JAMB		SMI-G21	SPACER GASKET (OUTER)
	SMI-452	GLASS STOP		SMI-G22	WEDGE IMPACT GASKET FOR 1 3/16" THK. GL. (INNER)
	SMI-453	HEAD, SILL & JAMB W/ DEEP POCKET		SMI-G23	WEDGE IMPACT GASKET FOR 15/16" THK. GL. (INNER)
	SMI-454	ALUM. SETTING BLOCK FOR DEEP POCKET		SMI-G25	DOWSIL 123 SILICONE SEAL RUBBER 1 5/8" X 3" LG. (AT MITERS)
				SMI-SB11	RECT. SETTING BLOCK 3/8" X 1" X 4" LG. FOR 1 3/16" THK. GL.
				SMI-SB12	RECT. SETTING BLOCK 3/8" X 3/4" X 4" LG. FOR 15/16" THK. GL.

4 INSTALLATION INSTRUCTIONS



Aldora's FS-300 Maximum View can be assembled as a screw spline system when has one lite of glass ONLY, also on those cases can be pre-fabricated and pre-glazed.

Glazing represented below is 15/16" laminated glass.



9 TYP. GAP
 BETWEEN GLASS

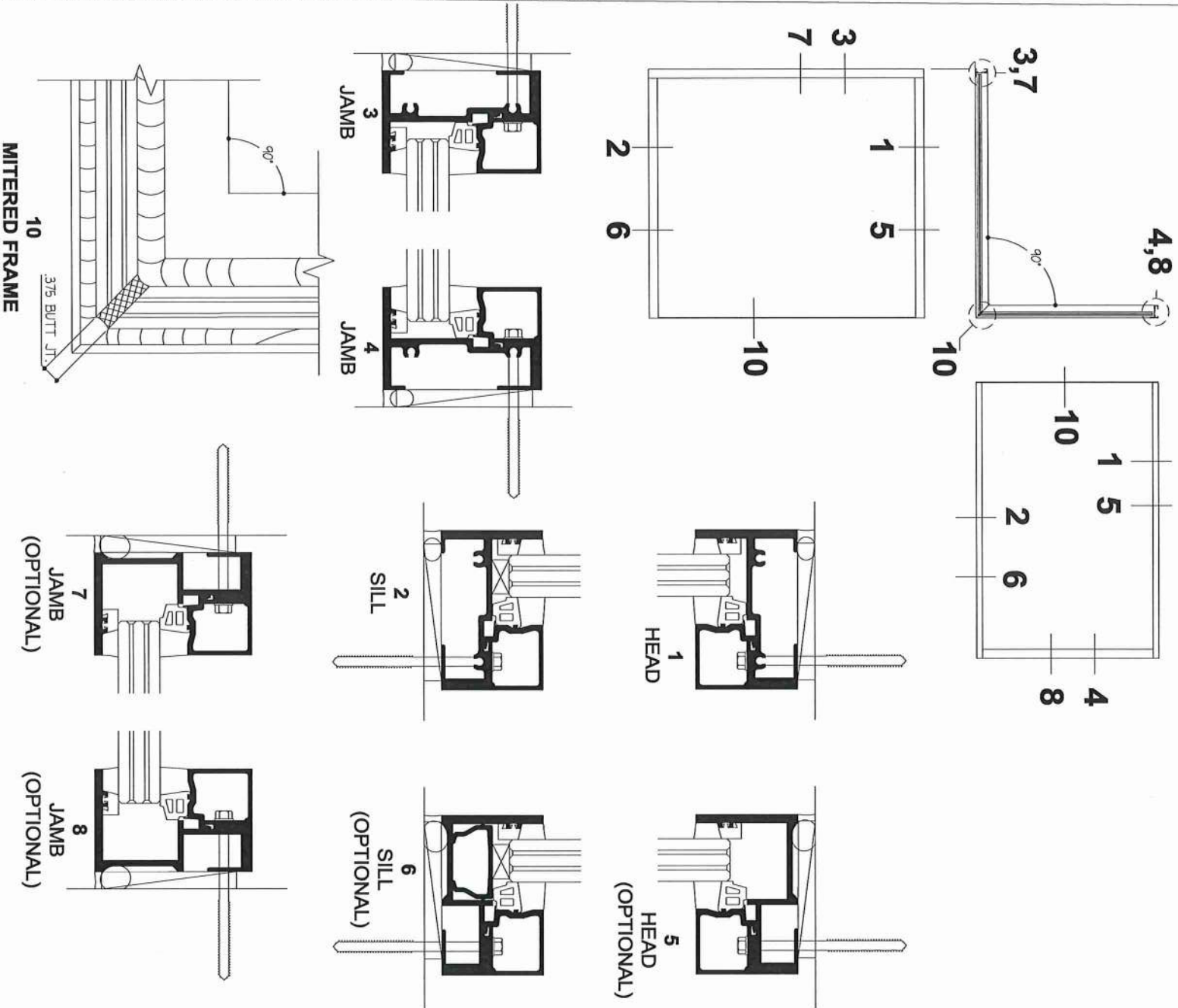
10
 MITERED FRAME



INSTALLATION INSTRUCTIONS

FS-300 MAXIMUM VIEW SYSTEM
 TYPICAL WINDOW DETAILS: 15/16" THK. LAM. GL.

Aldora's FS-300 Maximum View can be assembled as a screw spline system when has one lite of glass ONLY, also on those cases can be pre-fabricated and pre-glazed. Glazing represented below is 15/16" laminated glass.

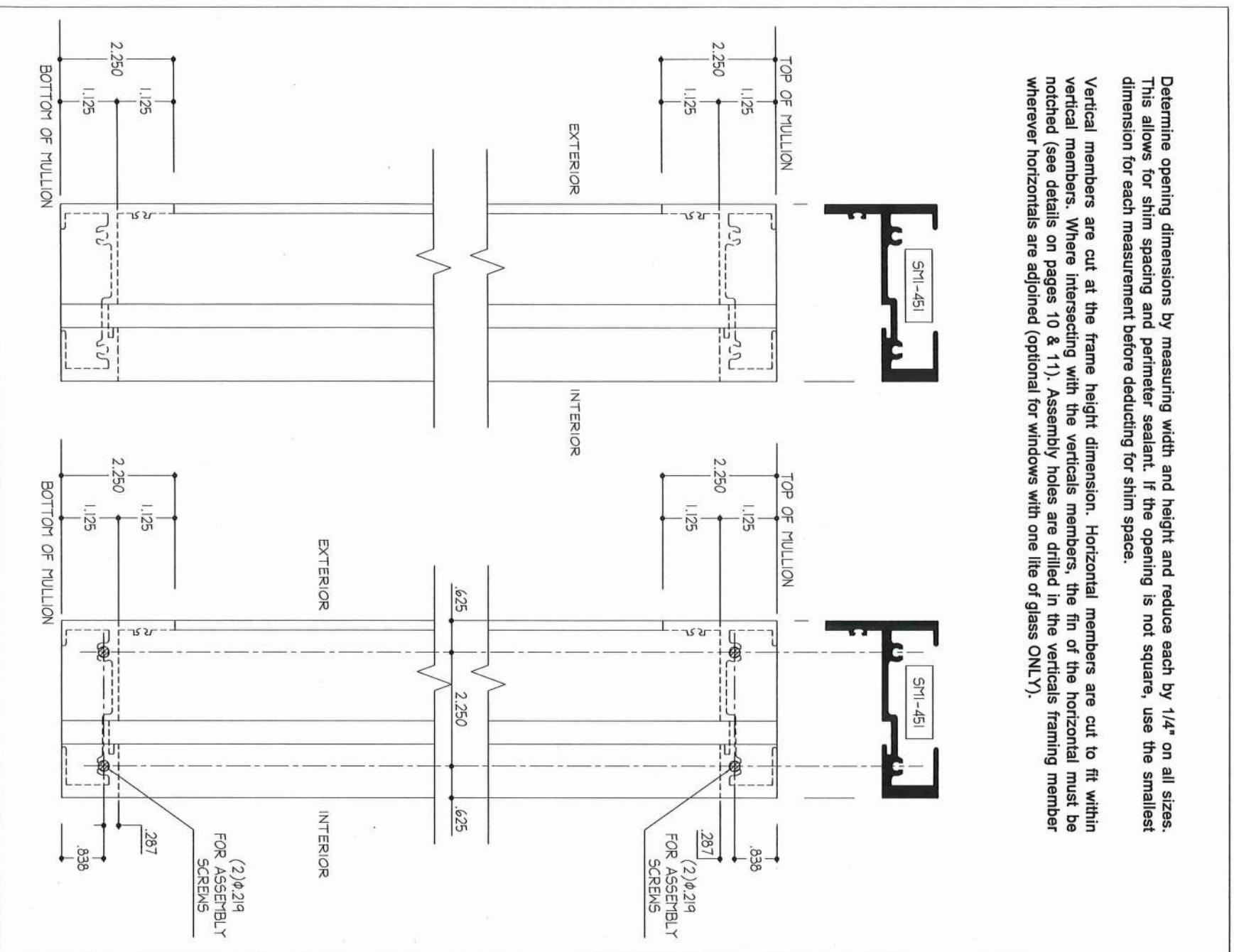


6 INSTALLATION INSTRUCTIONS



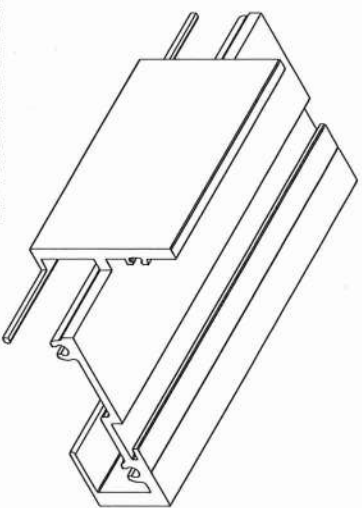
Determine opening dimensions by measuring width and height and reduce each by 1/4" on all sizes. This allows for shim spacing and perimeter sealant. If the opening is not square, use the smallest dimension for each measurement before deducting for shim space.

Vertical members are cut at the frame height dimension. Horizontal members are cut to fit within vertical members. Where intersecting with the verticals members, the fin of the horizontal must be notched (see details on pages 10 & 11). Assembly holes are drilled in the verticals framing member wherever horizontals are adjoined (optional for windows with one lite of glass ONLY).



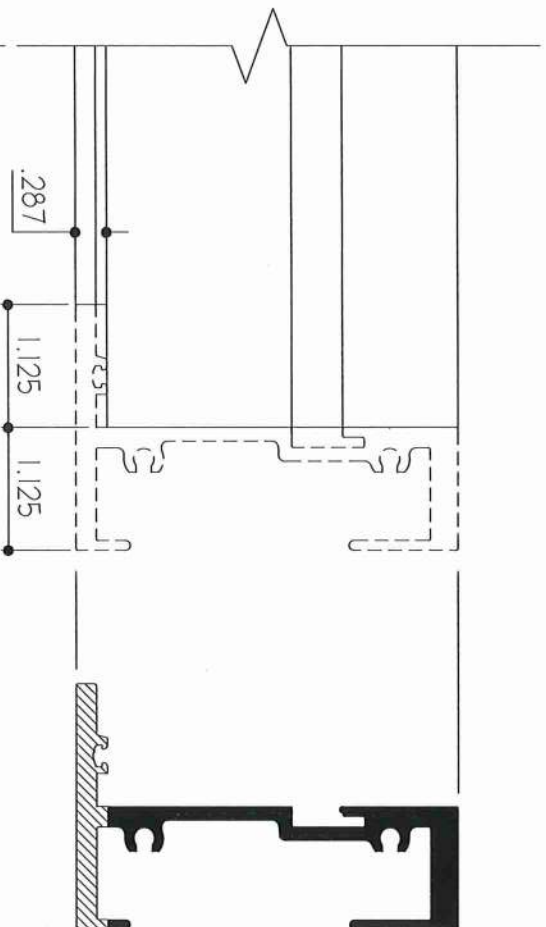
9 INSTALLATION INSTRUCTIONS

Notching details for the horizontal framing member shown below using part number SMI-451. The notching for the alternate horizontal framing member SMI-453 is similar.

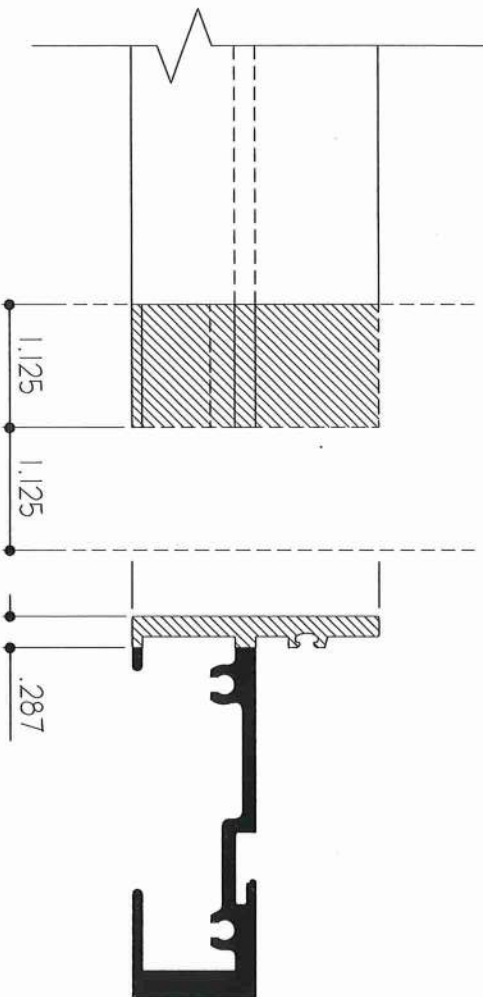


TYPICAL HORIZONTAL
NOTCHED AT EA. ENDS

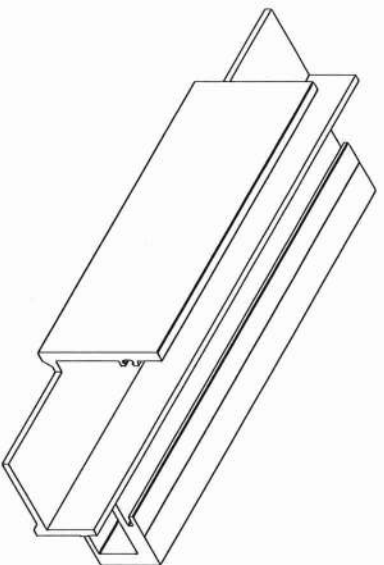
NOTCHED SPECS
PLAN VIEW.



NOTCHED SPECS
SIDE VIEW.

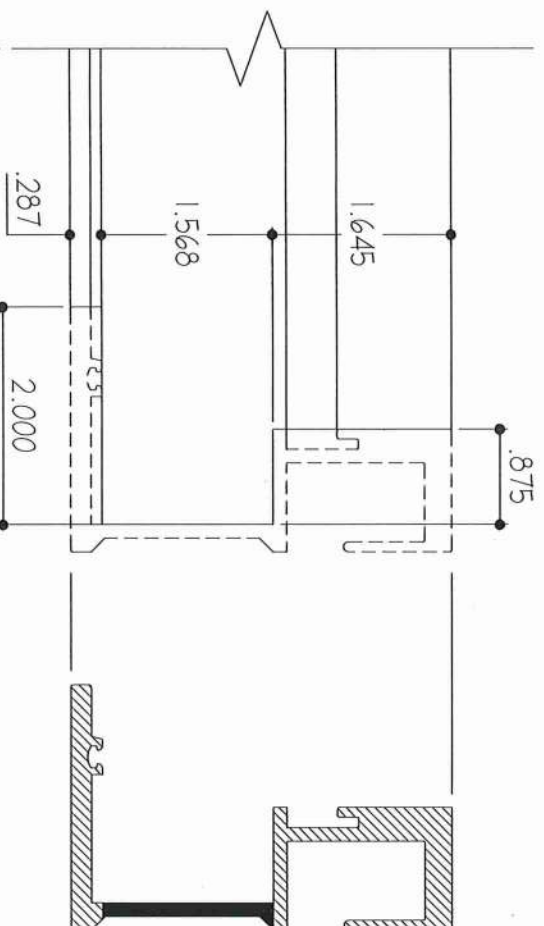


Notching details for the horizontal framing member shown below using part number SMI-453. The notching for the alternate horizontal framing member SMI-451 is similar.

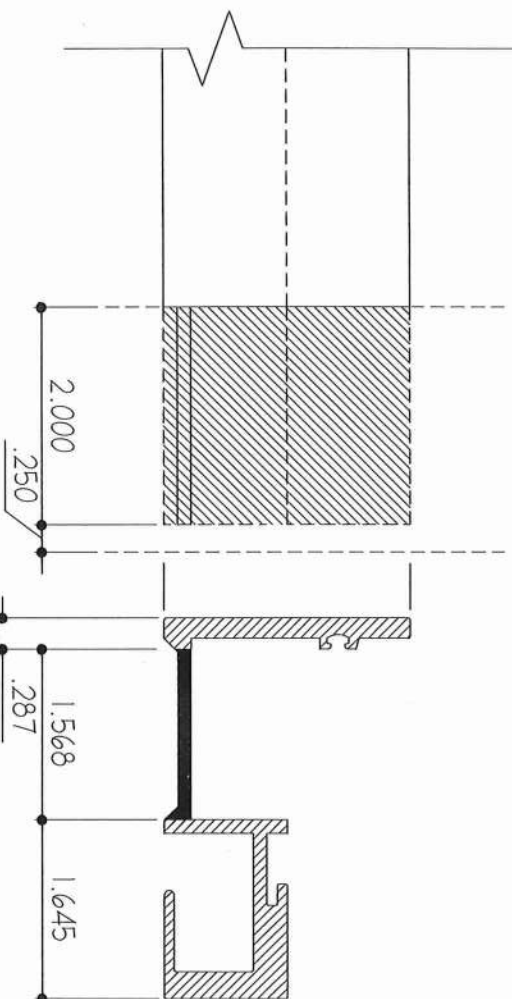


TYPICAL HORIZONTAL NOTCHED AT EA. ENDS

NOTCHED SPECS
PLAN VIEW.

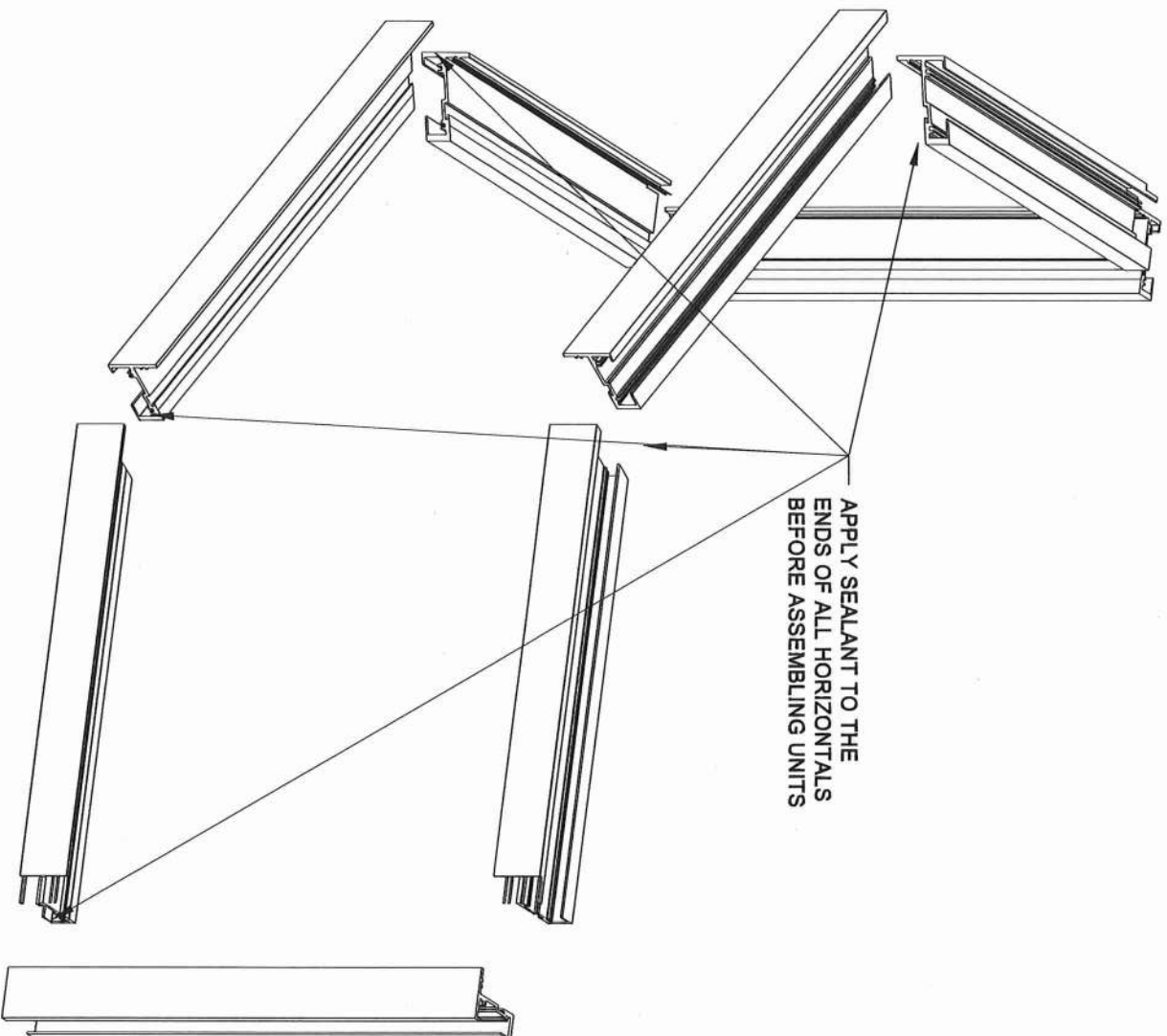


NOTCHED SPECS
SIDE VIEW.



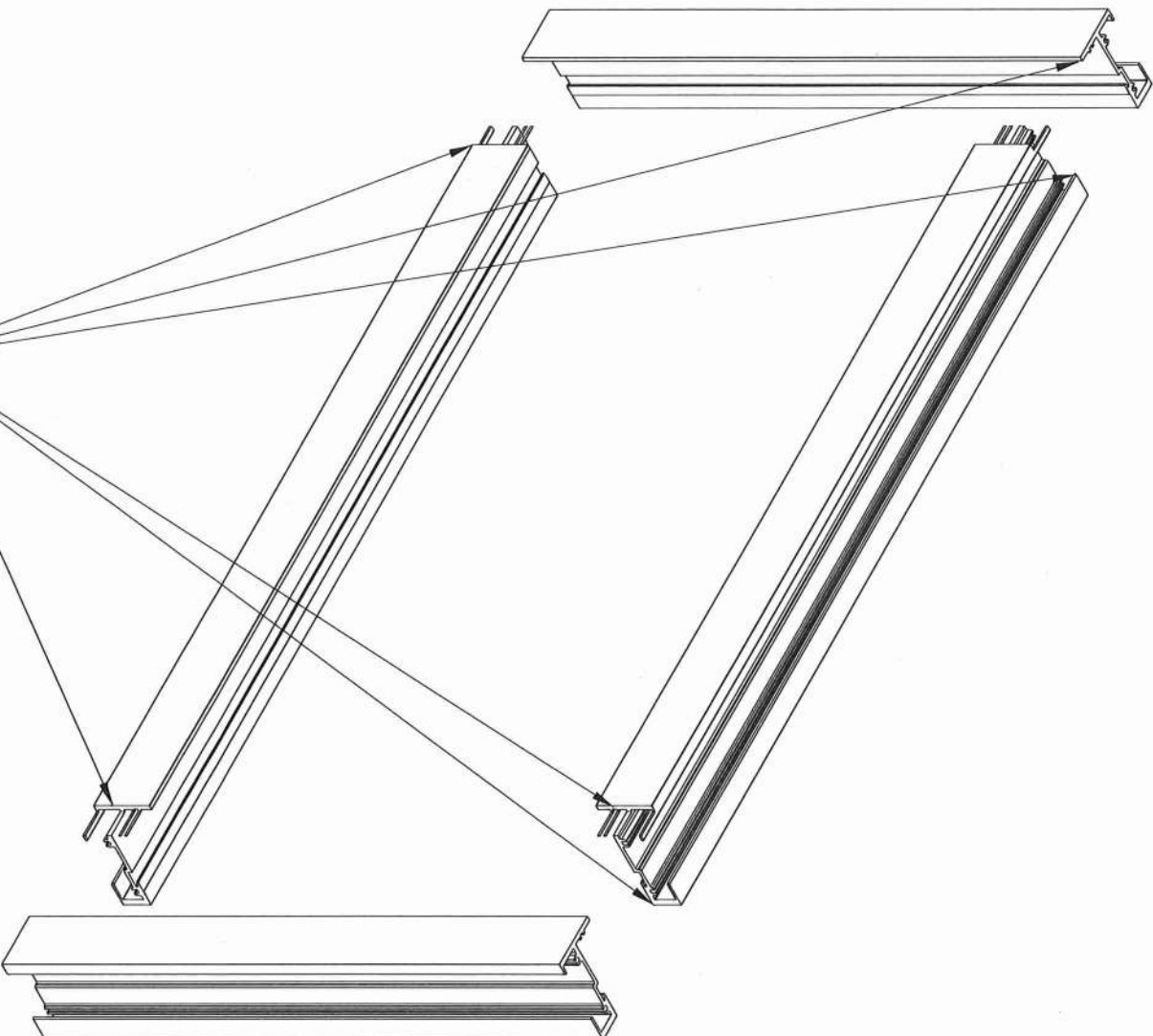
Assembly Instructions

Apply sealant to the ends of the horizontal framing members prior to install them at the opening or to fastening to the vertical jambs. At mitered horizontals (top & bottom) add a rectangle pieces of SMI-G25, Dowsil 123 silicone seal rubber, 1 5/8" x 3" lg. bonded with DC-795 silicone seal. This will provide the joint seal necessary to prevent water penetration.



Assembly Instructions

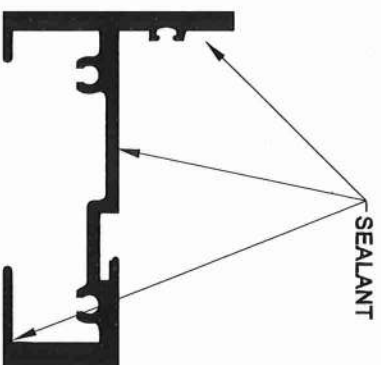
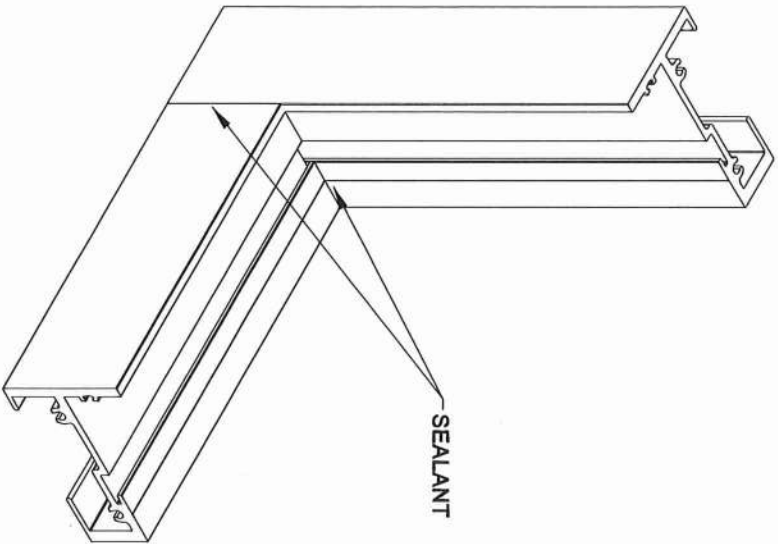
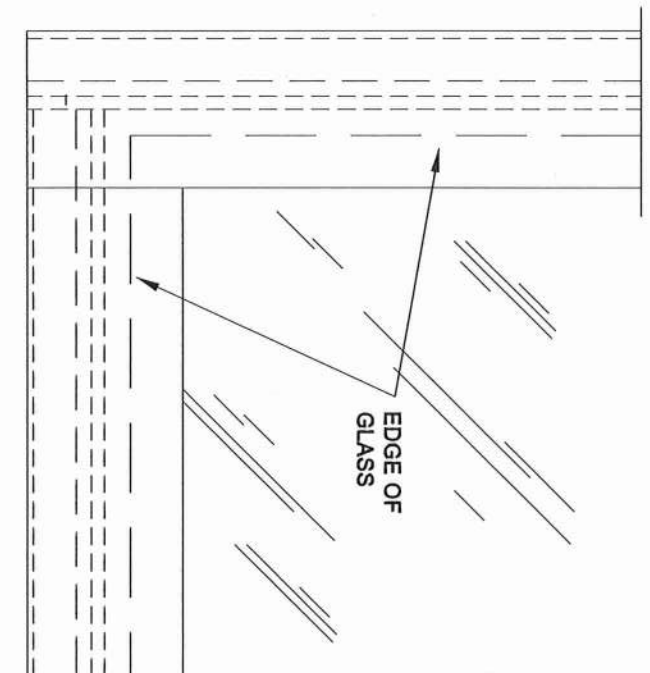
Apply sealant to the ends of the horizontal framing members prior to install them at the opening or to fastening to the vertical jambs. This will provide the joint seal necessary to prevent water penetration.



APPLY SEALANT TO THE
ENDS OF ALL HORIZONTALS
BEFORE ASSEMBLING UNITS

Assembly Instructions

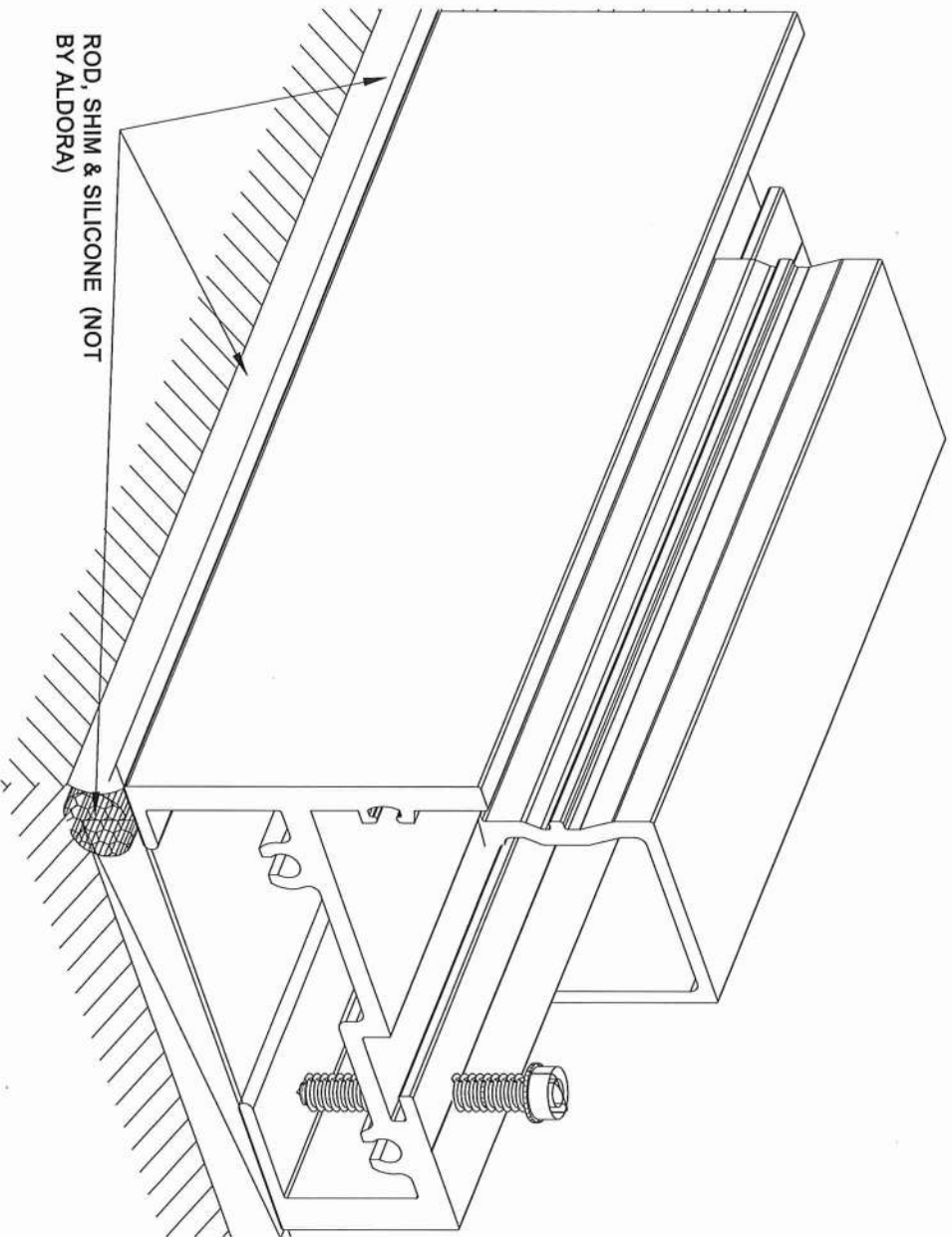
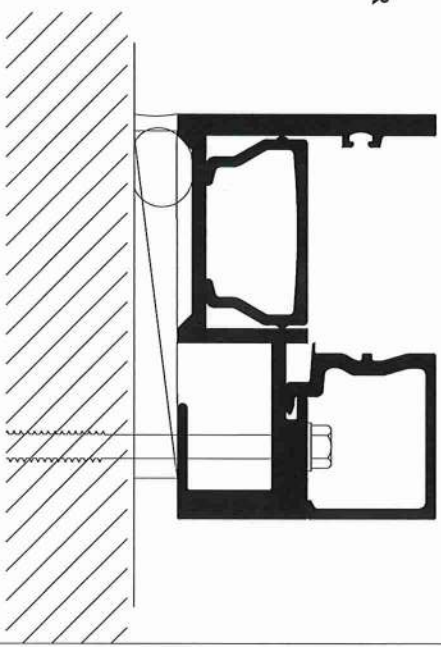
Apply sealant to the ends of the horizontal framing members prior to install them at the opening or to fastening to the vertical jambs. This will provide the joint seal necessary to prevent water penetration.



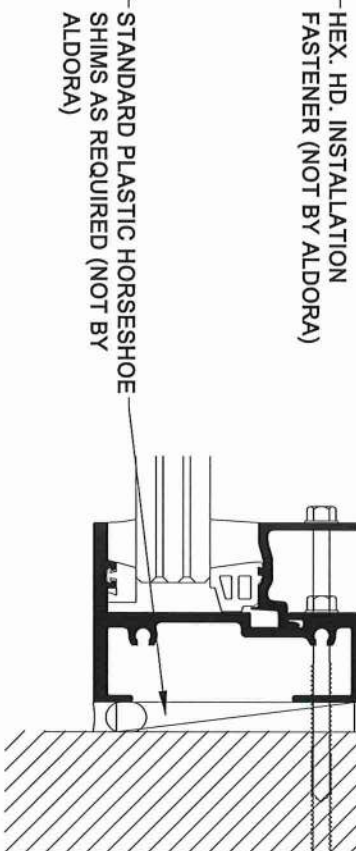
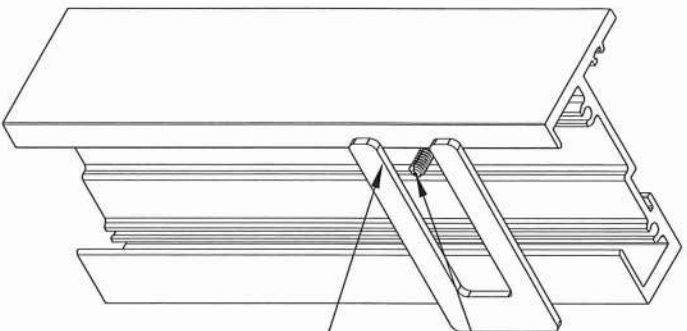
Installation Instructions

When setting the sill member, create a perimeter seal gap by shimming the sill $\frac{1}{4}$ " above the substrate. Installation screws are spaced per the shop drawings and are located behind the glazing pocket. The installation screw is fastened through the sill. The screws will be covered by the glass stop after the unit has been glazed.

EXTERIOR

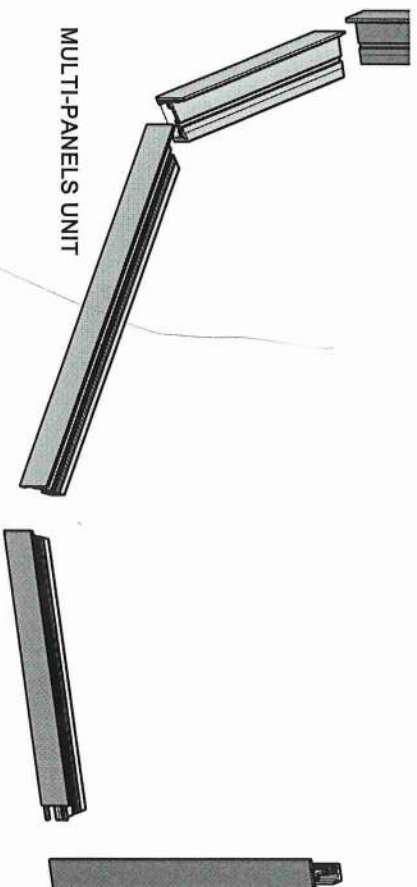
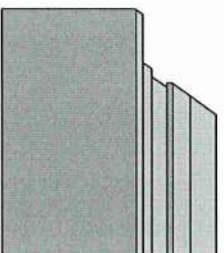
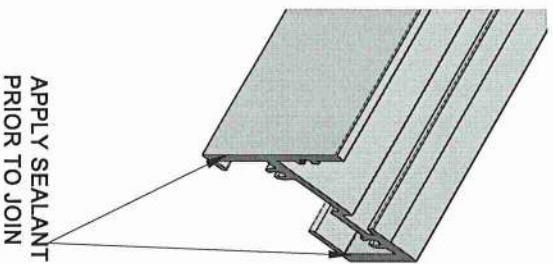


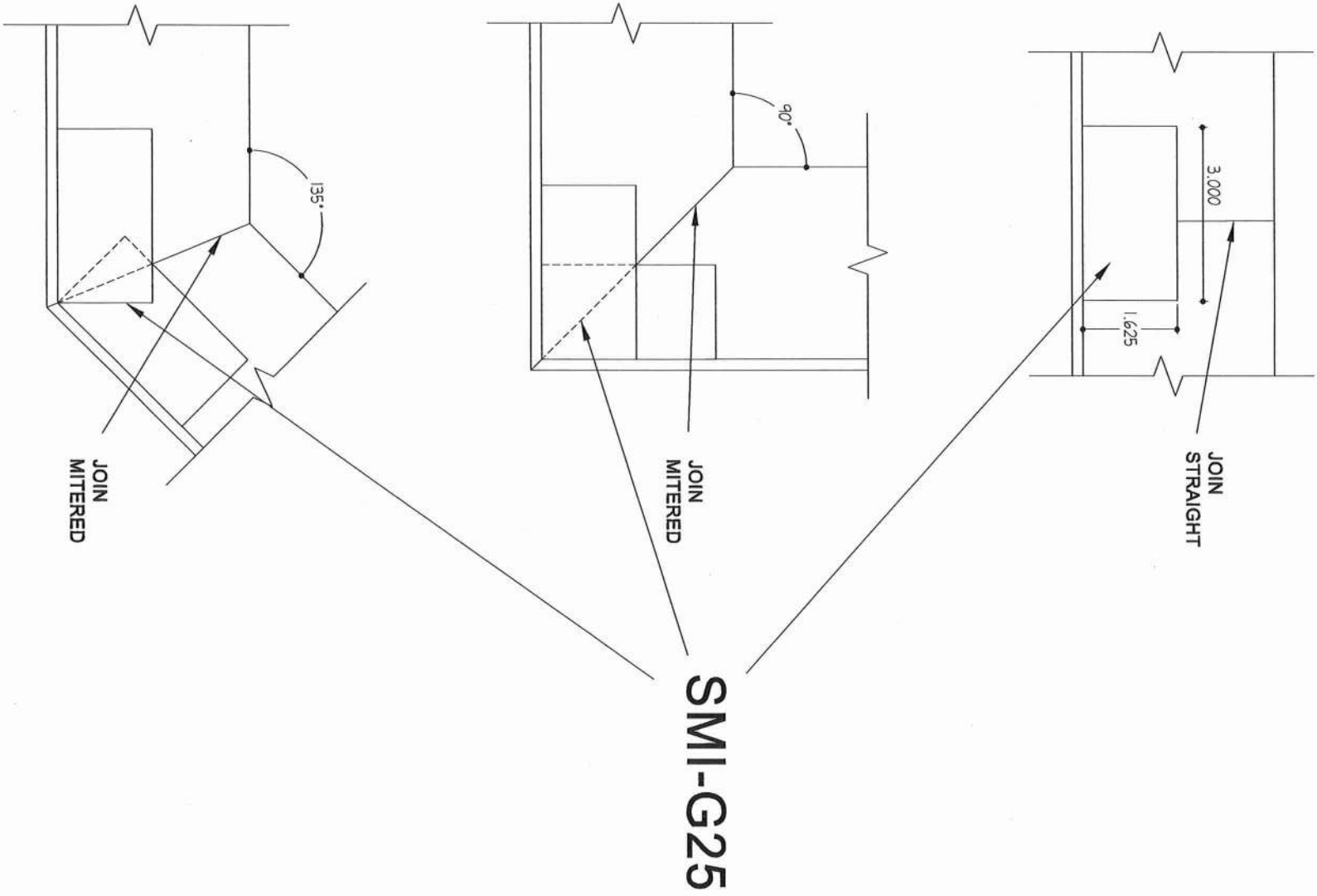
ROD, SHIM & SILICONE (NOT BY ALDORA)



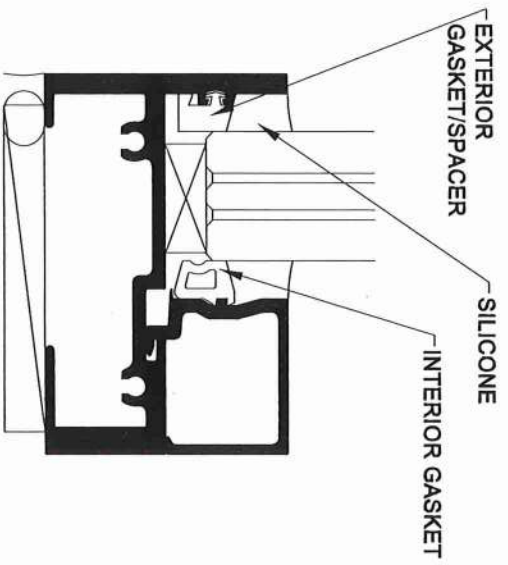
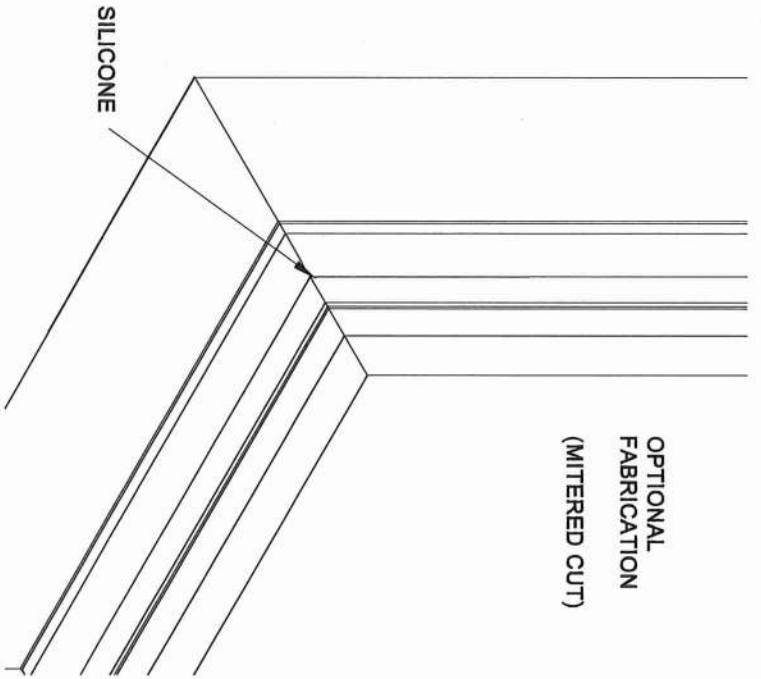
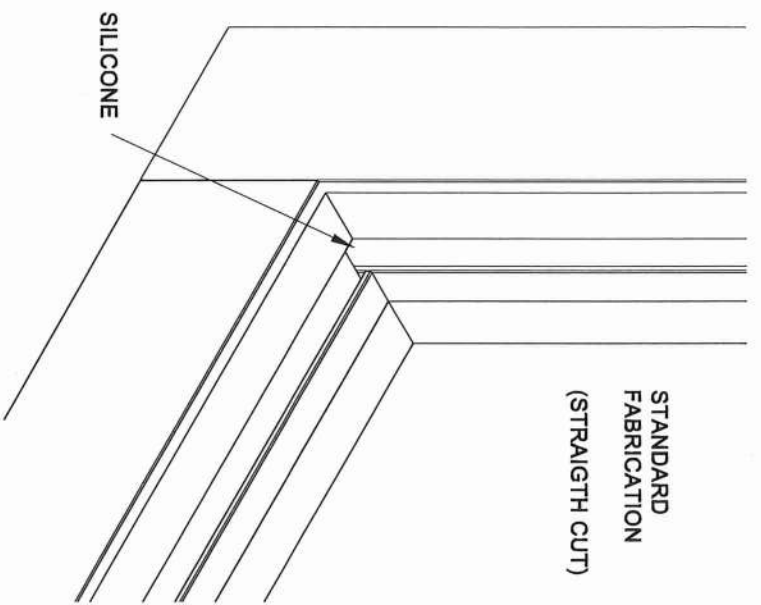
Installation Instructions (continued)

When installing multi-glass panels, the aluminum framing set at sill & head, have unlimited width without mullions, if it has joins straight or miter, must run a sealant bead along the joins. After set and install the whole frame, if it has joins need to add at each bottom join the part # SMI-G25 (Dowsil 123) silicone seal rubber 1 5/8" x 3" long. Applied with Dowsil 795 silicone or similar. See Page 17

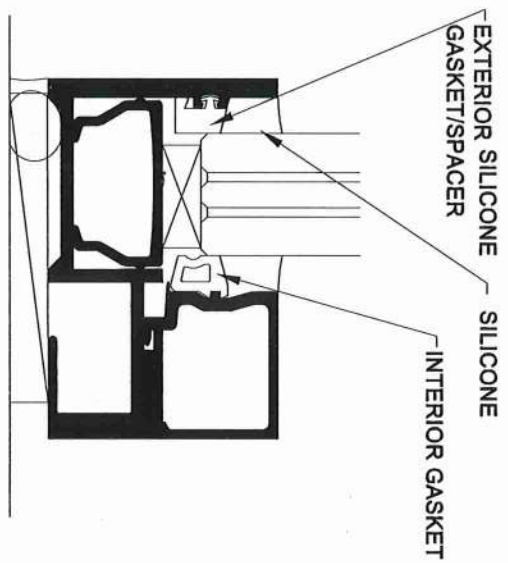




**FS-300 MAXIMUM VIEW SYSTEM
SYSTEM INSTALLATION (CONTINUED)**



**TYP. FRAMING
(SMI-451)**



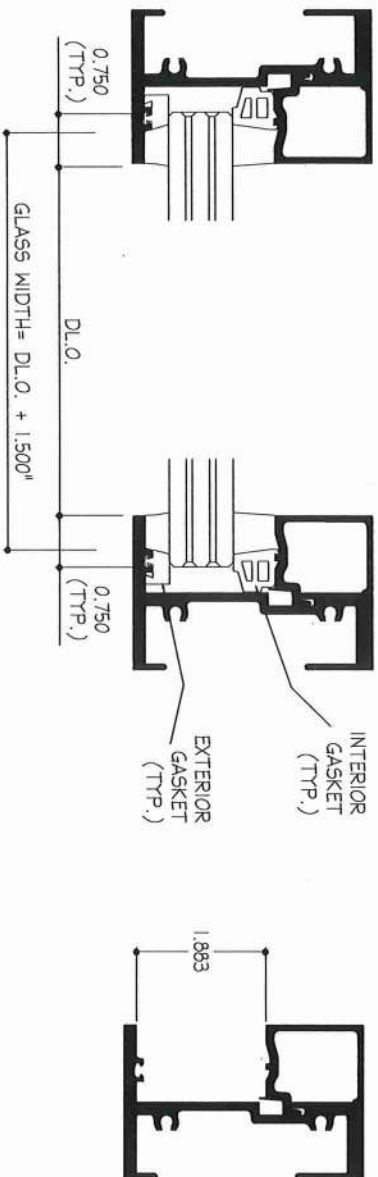
**OPTIONAL FRAMING
(SMI-453)**



FS-300 MAXIMUM VIEW SYSTEM
 GLAZING: 15/16" THK. LAM. GLASS

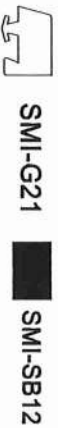
Aldora's FS-300 Maximum View can be assembled as a screw spline system when has one lite of glass ONLY, Glazing represented below is 15/16" laminated glass.

TYPICAL GLASS SIZE IS DAYLITE OPENING (D.L.O.) + 1.500"

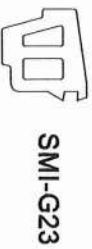


GLAZING CHART FOR FS-300 MAXIMUM VIEW SYSTEM		
NOMINAL INFILL THICKNESS	EXTERIOR GASKET	INTERIOR GASKET
15/16"	SMI-G21	SMI-G23

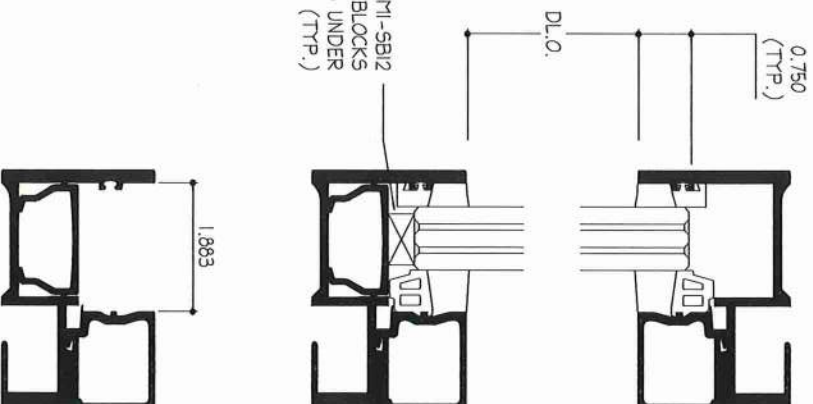
EXTERIOR GLAZING GASKETS:



INTERIOR GLAZING GASKET:



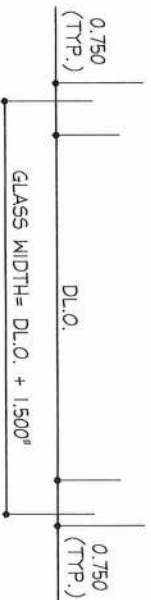
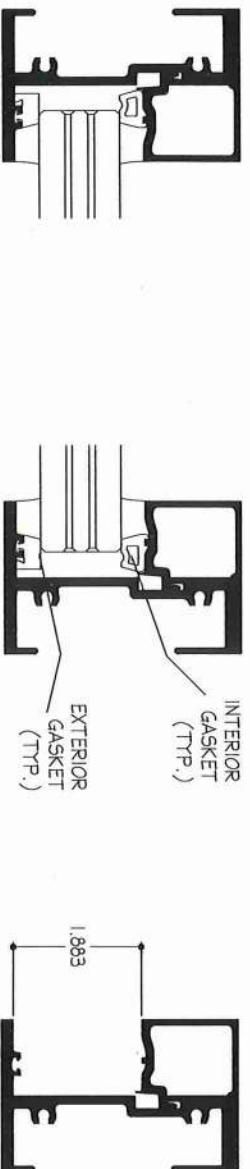
SMI-SB12
 SETTING BLOCKS
 AT 1/4 POINTS UNDER
 THE GLASS (TYP.)



FS-300 MAXIMUM VIEW SYSTEM
 GLAZING: 1 3/16" THK. LAM./ INSULATED GLASS

Aldora's FS-300 Maximum View can be assembled as a screw spline system when has one lite of glass ONLY, Glazing represented below is 1 3/16" laminated glass.

TYPICAL GLASS SIZE IS DAYLITE OPENING (D.L.O.) + 1.500



GLAZING CHART FOR FS-300 MAXIMUM VIEW SYSTEM		
NOMINAL INFILL THICKNESS	EXTERIOR GASKET	INTERIOR GASKET
1 3/16"	SMI-G21	SMI-G22

EXTERIOR GLAZING GASKETS:



INTERIOR GLAZING GASKET:

