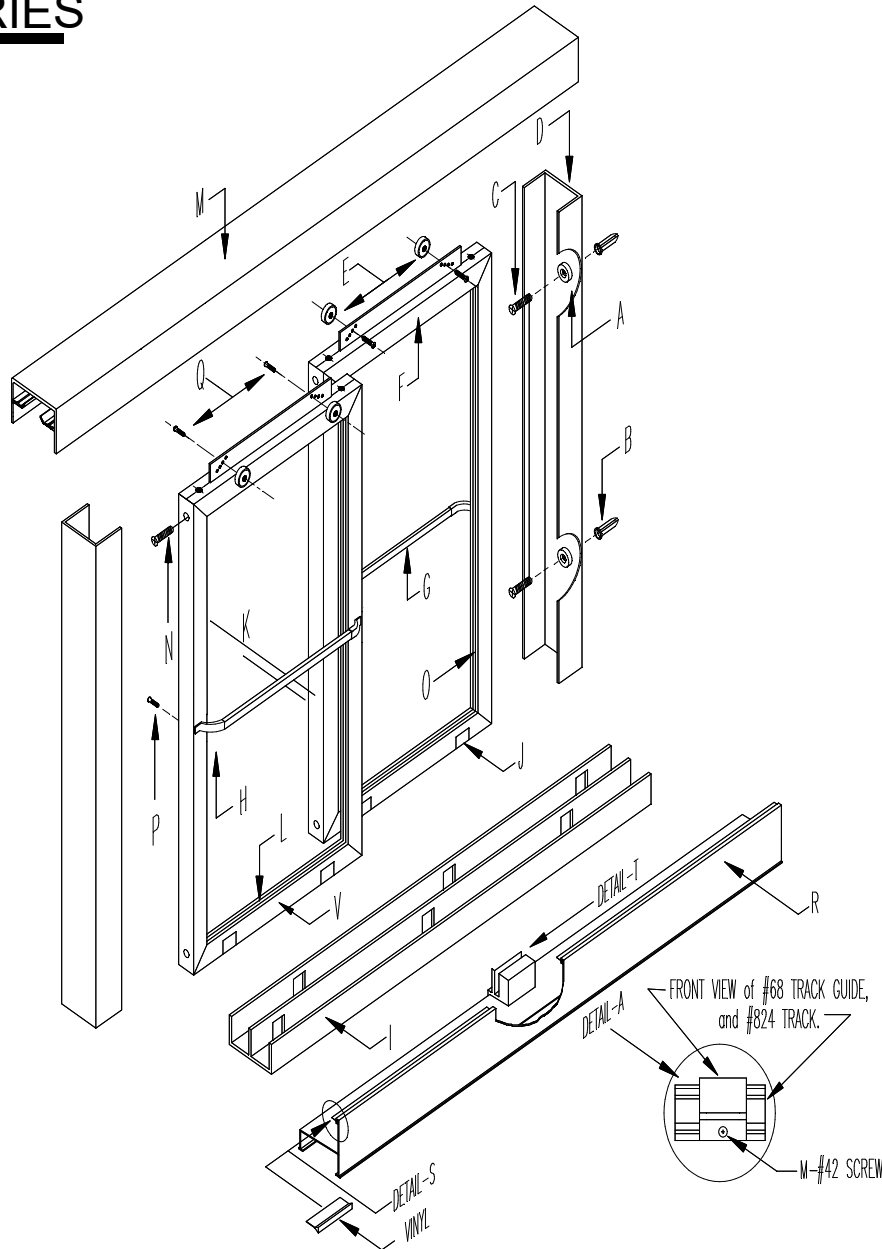


CAMERO SERIES

SLIDING DOORS

Shower Enclosures
Models 240C-270C
Height 69 3/4"

Tub Enclosures
Models 158C
Height 57 3/4"



GLAZED
INCLUDES
GLASS OR PLASTIC



KD
DOES NOT INCLUDE
GLASS OR PLASTIC



WHEN ORDERING REPLACEMENT PARTS,
REFER TO PART NO. DESCRIPTION & MODEL NO.

KEY LETTER	PART NO.	PART LIST DESCRIPTION	QUAN.
A	60	Bumper	4
B	64	Wall Anchor	4
C	43	Installation Screw	4
D	120	Jamb	2
E	23	Rollers	4
F	102	Top Frame (doors)	2
G	207	Towel Bar	2
H	706s	Towel Bar Bracket	4
I	104	Track	1
J	62	Nylon Guide (Do Not Use w/Clean Track)	4
K		Glass Tempered	2
L	81	Glazing Vinyl (.156)	34'
M	101	Header	1
N	41	Assm Screw 8-32x1/2 PH FH	16
O	103	Side Frame	4
P	40	Bracket Screw 8-32x3/8 PH Truss	4
Q	40	Roller Screw 8-32x3/8 PH Truss	4
R	824	Optional Clean Style Track	1
S		Clean Track Vinyl	1
T	162	Clean Track Guide	1

Glass size equals frame size less 1 1/2" inch in height and width.
Door panel width equals door opening divided by two plus 1/4" inch.



PETERSON
SHOWER DOORS

CAMERO SERIES

SLIDING DOORS

Shower Enclosures
Models 240C-270C
Height 69 3/4"

Tub Enclosures
Models 158C
Height 57 3/4"

BEWARE

1. When measuring look out for towel bars, electric switches, paper holders, tile obstruction, etc.
2. All measurements should be taken facing the enclosure while standing in the bathroom.
3. Give accurate measurements between finished opening.

INSTALLATION NOTES

1. Use 3/16" drill to make holes in walls.
2. Cut, cement and install track.
3. Install wall jamb.
4. Cut header (M) 1/16" less than opening and slip down over side jambs.
5. Attach rollers (E) to top of panels.
6. Lift up inside door by slipping rollers up into header (M) and then down into track (I).
7. Caulk entire unit, inside and out.

