



**PETERSON**  
SHOWER DOORS

## CAMERO SERIES

SLIDING DOORS WITH 90 DEGREE FIXED LITE

### Shower Enclosure

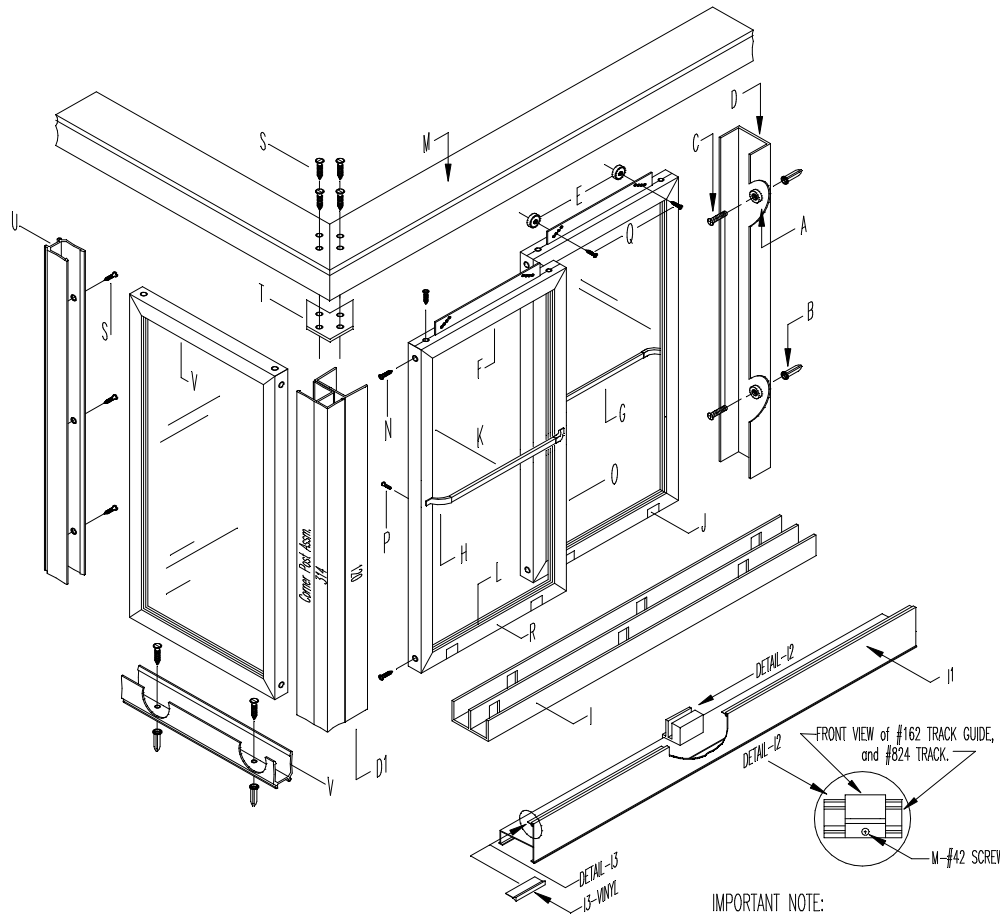
Models 77C

Height 69 3/4"

### Shower Enclosure

Models 68C

Height 57 3/4"



**IMPORTANT NOTE:**  
#824 clean track as shown may be provided in place of #104 track. If your unit has clean track feature, discard #61

GLAZED  
INCLUDES  
GLASS or PLASTIC



KD

DOES NOT INCLUDE  
GLASS or PLASTIC



WHEN ORDERING REPLACEMENT PARTS,  
REFER TO PART NO. DESCRIPTION & MODEL NO.

KEY LETTER	PART NO.	PART LIST DESCRIPTION	QTY
A	60	Bumper	4
B	64	Wall anchor	8
C	43	Installation screw	8
D	120	Jamb	1
D1	CPA	120 Jamb & 314 90 Degree Post	1
E	23	Rollers	4
F	102	Top frame	2
G	207	Towel bar	2
H	706	Cast towel bar bracket	4
I	104	Std. Track	1
I1	824	Optional Clean Track	1
J	61	Nylon guide	4
K		Tempered Glass	3
L	89	Glazing Vinyl	51ft
M	101	Header	1
N	41	Assm. Screw #8-32x1/2" P.H. fh. ms	24
O	103	Side frame	6
P	40	Bracket screw #8-32x3/8" p.h.	4
Q	40	Roller screw #8-32x3/8" p.h.	4
R	103	Bottom Frame	3
S	42	Adjustment Screw #6x3/8" p.h.	12
T	21	Header Angle Bracket	1
U	312	U-Channel (wall)	1
V	312	U-Channel (base)	1
W	101	Header	2

Glass size equals frame size less 1 1/2" inch in height and width.  
Door panel width equals door opening divided by two plus 1/4".  
Fixed panel width equals overall opening minus 1 1/2".



# PETERSON

## SHOWER DOORS

## BARON SERIES

SLIDING DOORS AND FIXED LITE

### Shower Enclosures

Model 77C

Height 69 3/4"

### Tub Enclosures

Model 68C

Height 57 3/4"

## BEWARE

1. When measuring look out for towel bars, electric switches, paper holders, tile obstruction, etc.
2. All measurements to be taken facing the enclosure while standing in the bathroom.
3. Give accurate measurements between all arrows.
4. Show location of panel (left or right). (Same as dotted lines below.)

## INSTALLATION NOTES

1. Use 3/16" drill to make holes in walls.
2. Install U-channel (U) against wall.
3. Install bottom u-channel (V) on tile use caution to avoid damaging tub rim.
4. Slide fixed glass panel into position.
5. Slide cornerpost (D1) into position.
6. Cut, cement and install track.
7. Install wall jamb.
8. Cut header (W) 1/16" less than opening and slip down over side jambs.
9. Attach rollers (E) to top of panels using roller screws (Q)
10. Lift up inside door by slipping rollers up into header (W) and then down into track.
11. Adjust cornerpost (D1) to align with sliding doors. secure to header (W).
12. Adjust & secure panel to all surrounding members.
13. Caulk entire unit, inside and out.