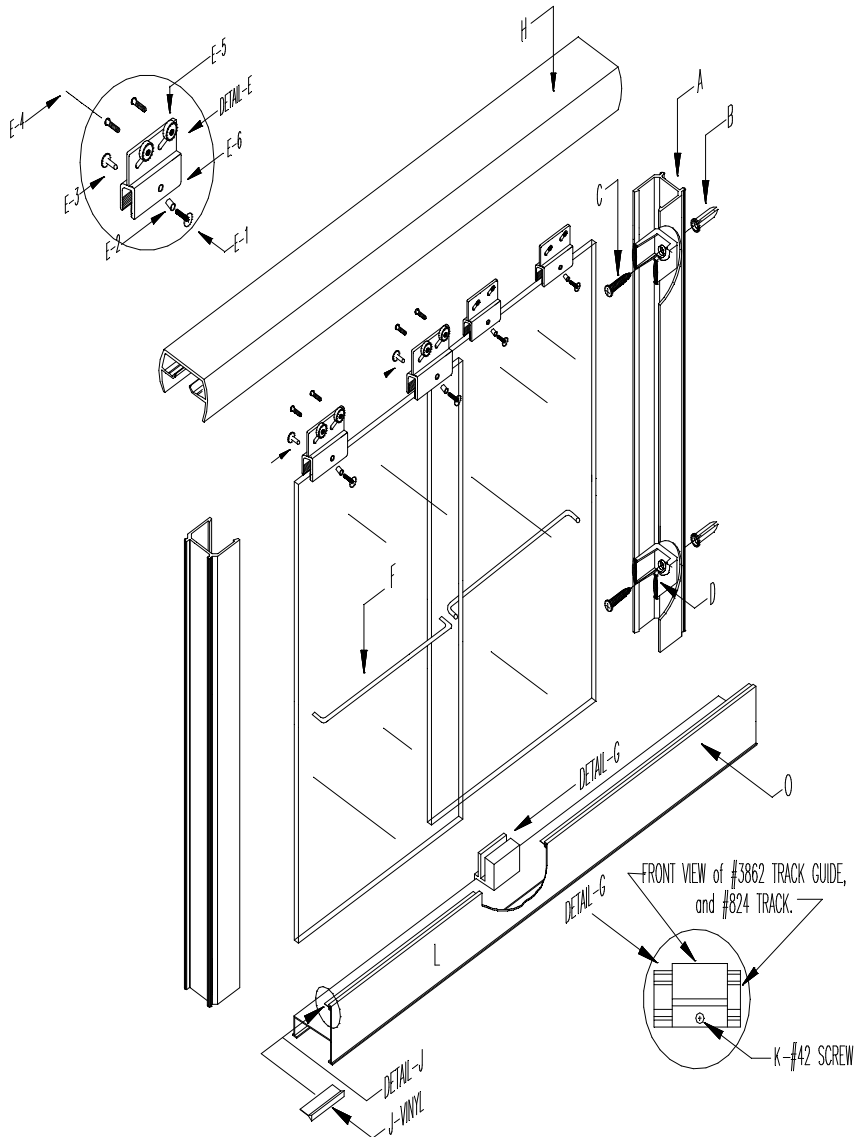


Heavy Glass Frameless Series

Shower Enclosures
Models - HGSE

Tub Enclosures
Model - HGTE



GLAZED
INCLUDES
GLASS



KD
DOES NOT INCLUDE
GLASS



WHEN ORDERING REPLACEMENT PARTS,
REFER TO PART # DESCRIPTION & MODEL #

KEY LETTER	PART #	PART LIST DESCRIPTION	QUAN.
A	605	Wall Jamb	2
B	64	Wall Anchor	4
C	43	Installation Screw 8x1 PH Pan SMS	4
D	69	Bumper	4
E1	3844	Glass Bracket Screw Jacket	4
E2	3861	Glass Bracket Bushing	4
E3	3840	Glass Bracket Screw 8-32 x 3/8 Slot	4
E4	40	Roller screw #8-32x3/8" P.H. Truss	8
E5	3823	Heavy Glass Roller	8
E6	3822	Glass Bracket	4
F		Towel Bar	2
G	3862	Track Guide	1
H	3801	Header	1
J	190	Track Vinyl	1
K	42	Track Screw	1
L	824	Track	1

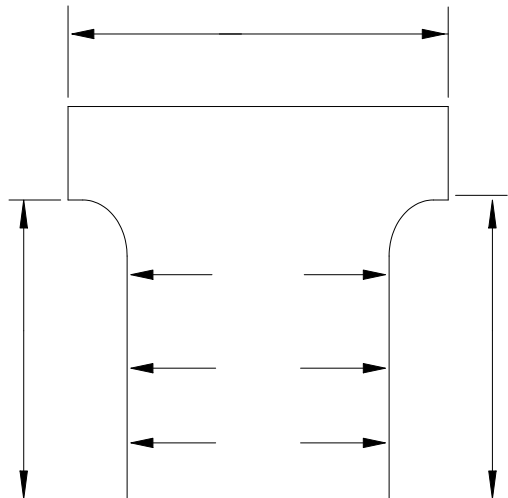
Heavy Glass Frameless Series

Shower Enclosures
Models - HGSE

Tub Enclosures
Model - HGTE

BEWARE

1. When measuring look out for towel bars, electric switches, paper holders, tile obstruction, etc.
2. All measurements to be taken facing the enclosure while standing in the bathroom.
3. Give accurate measurements between all arrows.



Installation Instructions

- (1) Measure bottom of opening, deduct 1/4" then cut bottom track to size.
- (2) Locate mid-point of track in channel provided, drill 1/8" hole at mid point.
- (3) Apply a bead of caulk to bottom of track and set in place.
- (4) Put one wall jamb in place and mark holes on wall, remove jamb, using a 3/16" masonry bit drill holes in wall. Insert one plastic wall anchor in each hole. Thread a #8x1" installation screw through bumper provided and secure jamb to wall using this assembly. Repeat procedure with other jamb.
- (5) Measure width of opening (wall to wall) above the jambs. Cut header to this size minus 1/8".
- (6) Install header on jambs.
- (7) Install rollers on glass clips using #8-32x1/4" screws.
- (8) Hang panels on header.
- (9) Using #6x3/8" screw attach track guide to track using hole previously drilled.
- (10) Install towel bar on outside panel.