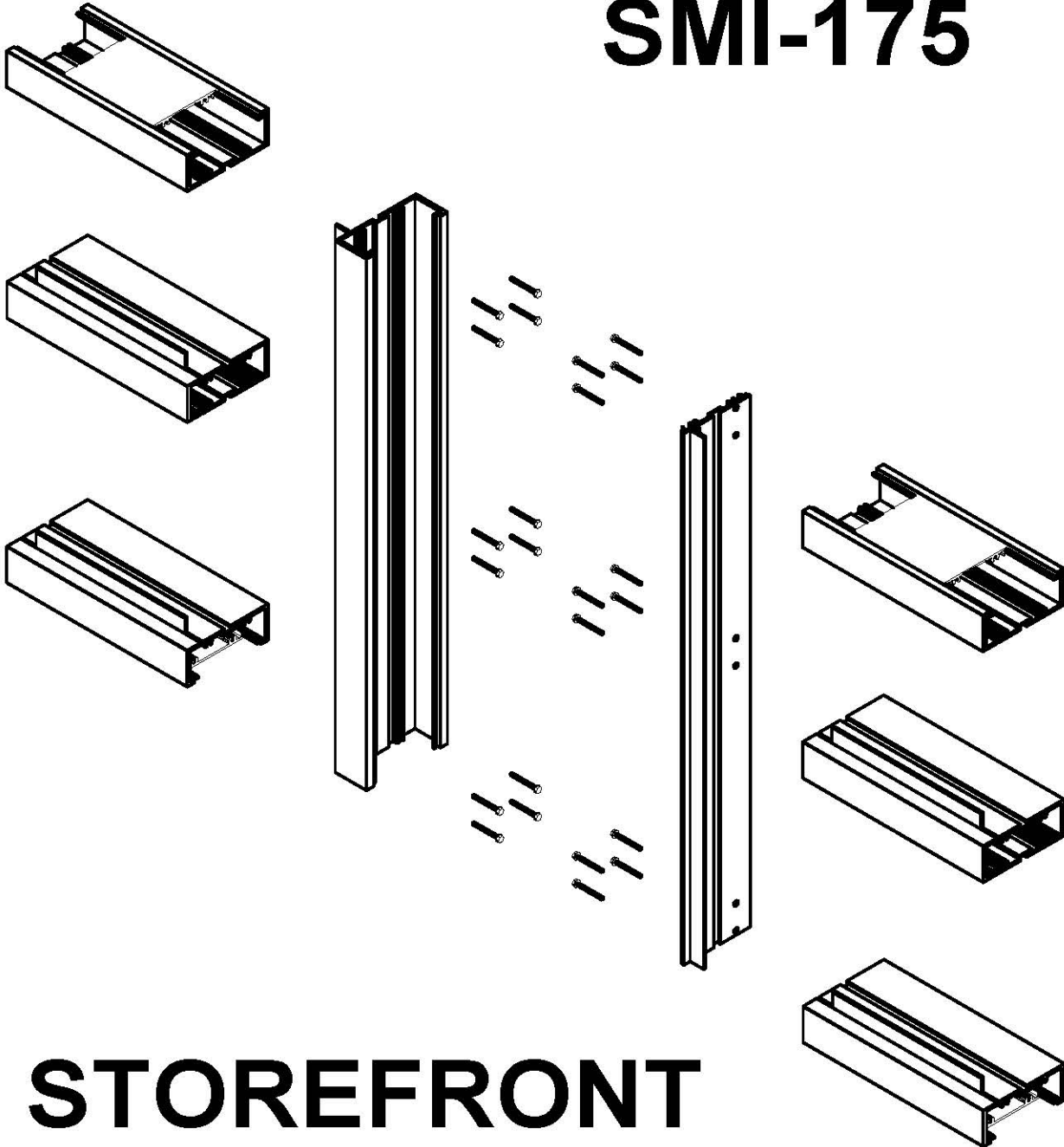


SMI-175



STOREFRONT SYSTEM

CONTENTS

PAGE

GENERAL INSTALLATION NOTES 3

PARTS IDENTIFICATION 4

TYPICAL WINDOW DETAILS 5

TYPICAL SIDELITE DETAILS 6

FABRICATION: ASSEMBLY SCREW 7

FABRICATION: SPECIAL NOTCHES 8

SYSTEM ASSEMBLY (TYPICAL) 9 - 10

INSTALLATION 11 - 13

GLAZING: 9/16" THK. LAM. GLASS 14

STEEL REINFORCEMENT 15





GENERAL INSTALLATION NOTES




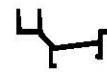
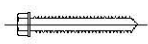

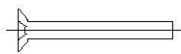
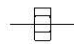


1. **Safety-** Safety should be the primary concern throughout the installation process. Keep the installation areas clear of debris and obstructions. Lift and carry products carefully using proper lifting procedures. Always wear safety gear as determined by products and or jobsite conditions.
2. **Building Code-** The Building Code determines the requirements of products to be used on a project. Aldora manufactures products to the installer's specifications; however, Aldora does not assume any responsibility for the suitability of its products for any project. It is the responsibility of the glazier to ensure each product meets the project requirements.
3. **Openings-** Measure the openings to determine if they match the building plans. Notify the General Contractor immediately to correct any deviance.
4. **Shop drawings-** Review shop drawings to ensure all materials have been manufactured in accordance with the shop drawings.
5. **Receiving-** Inspect all products upon receipt. Do not install any damaged or deficient products. Return to Aldora immediately for correction.
6. **Protection-** Protect all materials from damage including cement, stucco, paint, mud or other abrasives or chemicals. Materials need to be protected properly before, during and after installation.
7. **Field testing-** Glaziers must fully understand all sealing procedures in advance of installation. If installed correctly and properly sealed, Aldora's products will achieve satisfactory results during field test. Aldora will not accept any responsibility for installation deficiencies.

Pre-Installation

1. **Checklist-** Working from a checklist, bring all necessary documents, tools, equipment and supplies to the jobsite.
2. **Products-** Review all products versus the shop drawings to ensure everything is at the jobsite. Examine mark numbers to verify proper products per opening.
3. **Pre-glazed units-** With multiple panel openings, identify the panel with two jambs for the opening, this is typically the starting panel for the left hand side of the opening (outside looking in).
4. **Sealants-** Ensure compatibility of the sealant with all products involved.
5. **Anchors-** Verify anchors supplied match shop drawings.
6. **Opening preparation-** Clean opening of all debris and examine for level and plumb.
7. **Aluminum surfaces in contact with lime-mortar, concrete or other masonry materials, shall be protected with alkali-resistant coating.**

Note: Perimeter sealing of the product to the substrate is not covered under this document. Please refer to the product's notice of acceptance or Florida building code approval for specifics. All perimeter caulking and waterproofing should comply with the above mentioned documents and sealant compatibility and performance should be designed for specific job conditions. Failure to have an adequate barrier will lead to water intrusion.

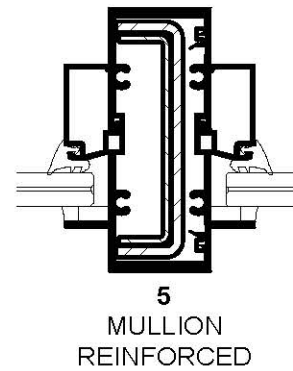
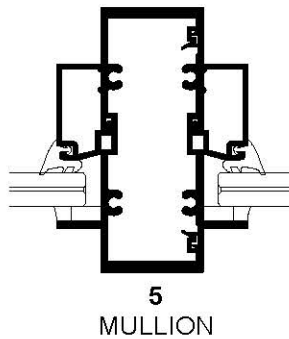
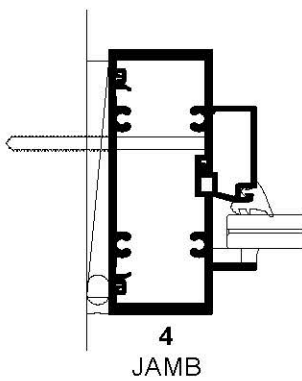
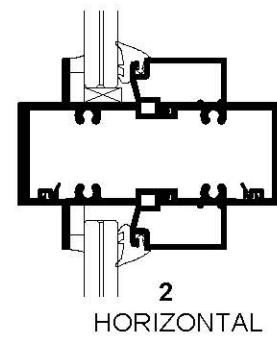
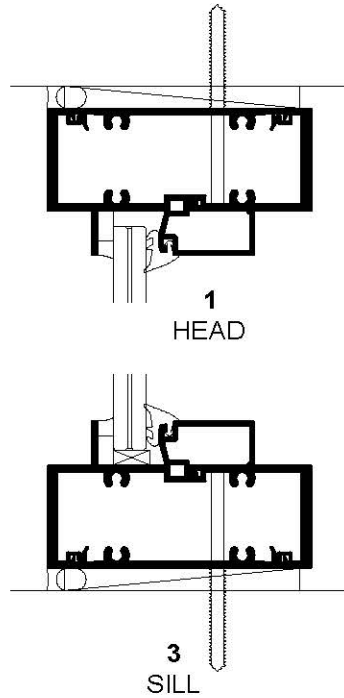
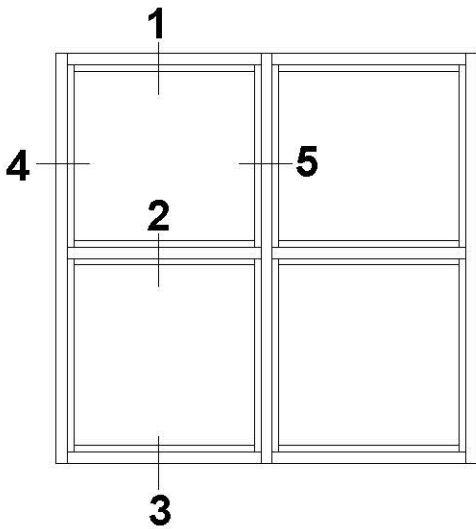
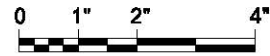
PROFILE	PART #	DESCRIPTION
	SMI-001	HEAD/SILL/JAMB/MULLION & INTERM. HORIZONTAL
	SMI-002	GLASS STOP
	SMI-003	FIN SNAP
	SMI-004	PLAIN SNAP

PROFILE	PART #	DESCRIPTION
	SMI-G01	INTERIOR GLAZING GASKET
	SMI-G02	SINGLE FACE FOAM TAPE 3/8" X 1/2"
	SMI-SB03	SETTING BLOCK 1/4" X 1/2" X 2" LG.
	SMI-P03	TEMPORARY GLASS STOP
		ASSEMBLY SCREW #12 X 1 1/2" LG. HX. WASHER SMS. ST/ST
		ASSEMBLY SCREW #12 X 1 1/2" LG. FT. HD. SMS. ST/ST
		MULLION SCREW 1/4-20 X 2 1/4" LG. FT. HD. MACHINE BOLT ST/ST
		NUTS 1/4-20 HEX. ST/ST
	ST-1b	VERTICAL STEEL REINFORCEMENT
	ST-2b	VERTICAL STEEL REINFORCEMENT

Aldora's SMI-175 Storefront & Window Wall System is assembled with a screw spline system.

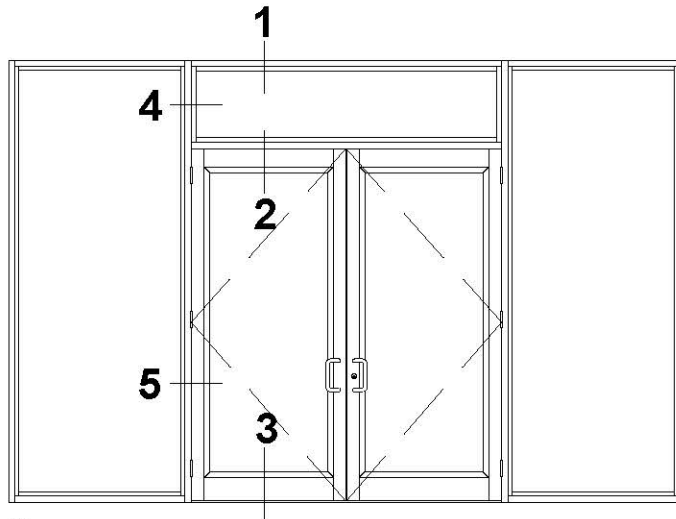
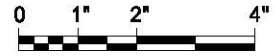
The screw spline assembly can be pre-fabricated and pre-glazed for multi-unit panels using the jamb/mullion member and the fin snap.

Glazing represented below is 9/16" laminated glass.

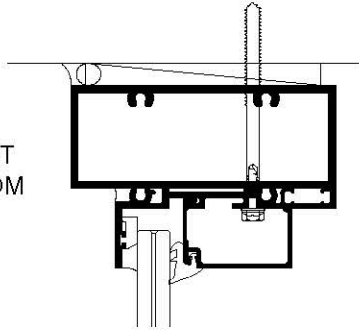


INSTALLATION INSTRUCTIONS

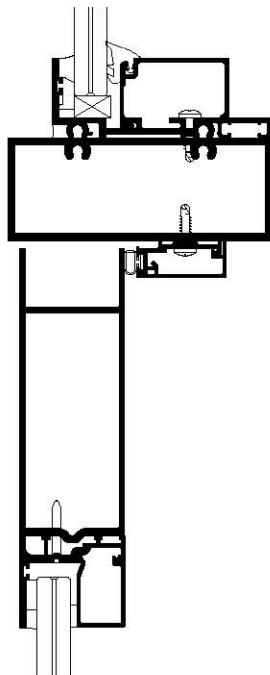
The open back jamb of Aldora's K2 Doors series accepts the fin snap of the SMI-175. Transom assembly for the 175 System is shown below with 9/16" glazing.



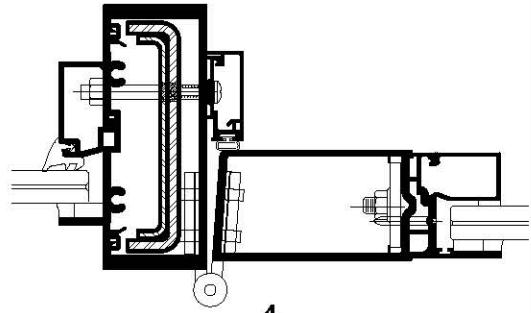
1
HEAD AT
TRANSOM



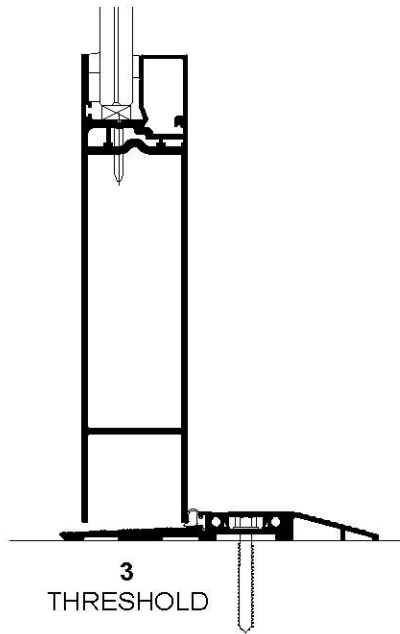
2
DOOR AT
TRANSOM



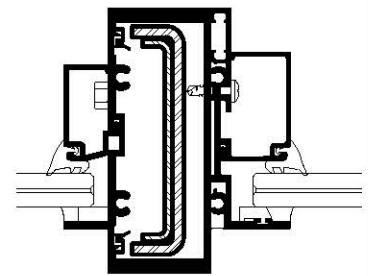
4
SIDE LITE AT
DOOR MULLION



3
THRESHOLD



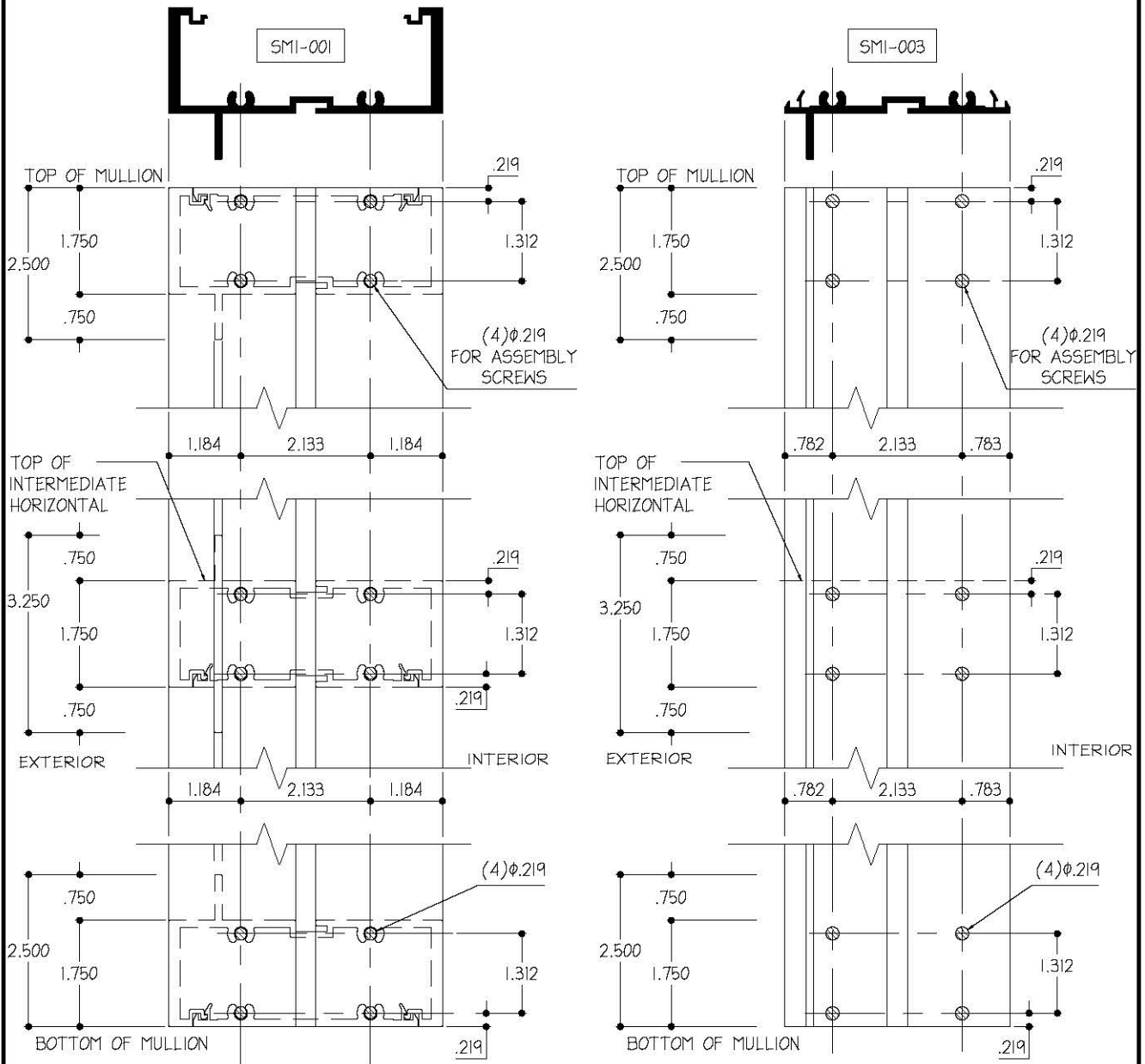
5
SIDE LITE AT
TRANSOM



INSTALLATION INSTRUCTIONS

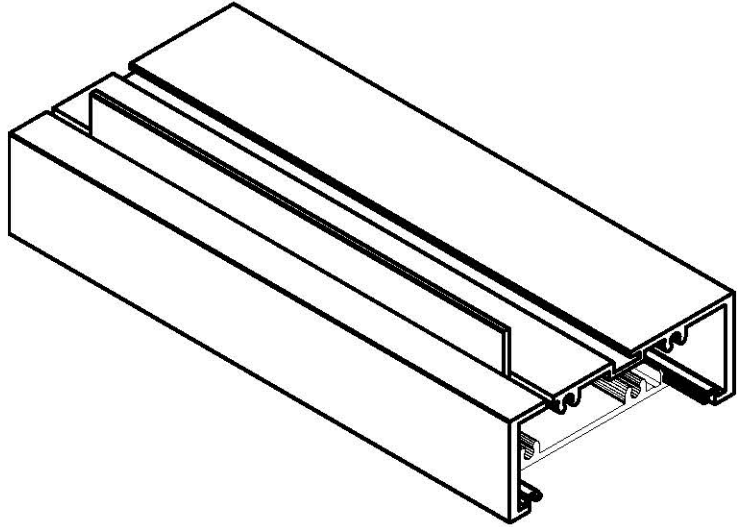
Determine opening dimensions by measuring width and height and reduce each by 1/4" on all sizes. This allows for shim spacing and perimeter sealant. If the opening is not square, use the smallest dimension for each measurement before deducting for shim space.

Vertical members are cut at the frame height dimension. Horizontal members are cut to fit within vertical members. Where intersecting with the verticals members, the fin of the horizontal must be notched (see details on page 8). Assembly holes are drilled in the verticals framing member wherever horizontals are adjoined.

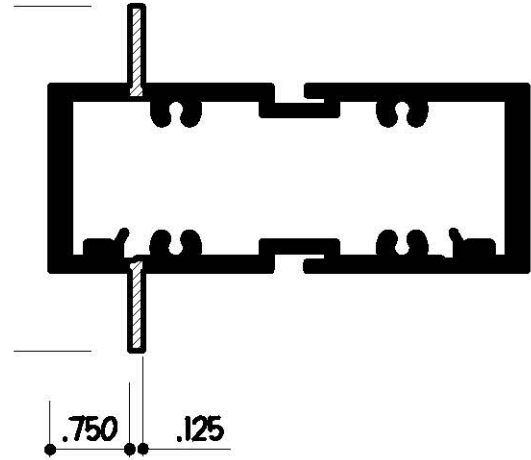
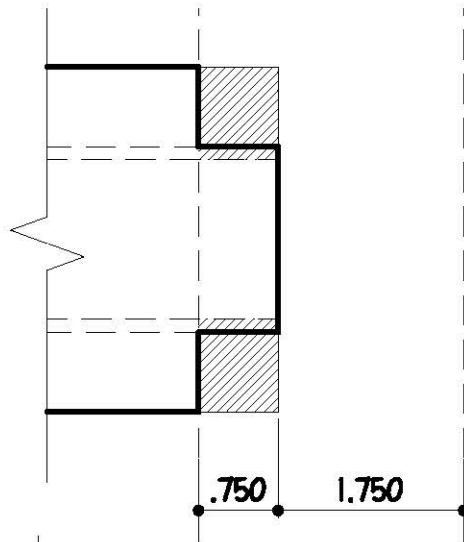


INSTALLATION INSTRUCTIONS

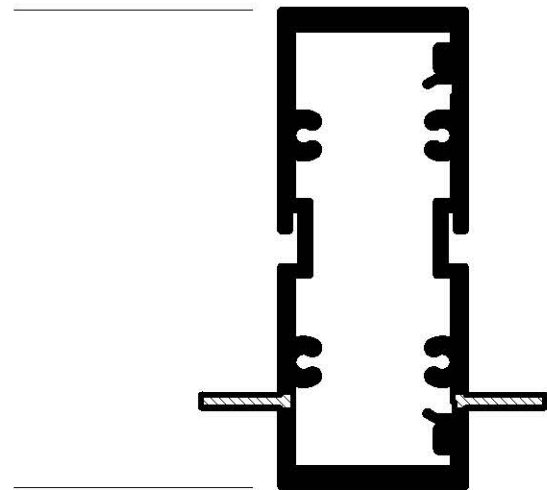
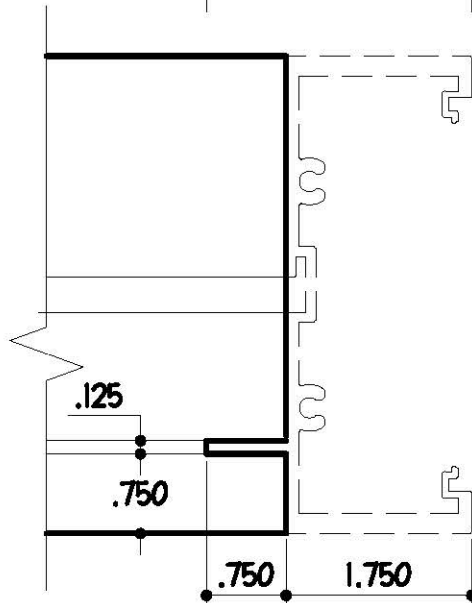
Notching details for the horizontal framing member shown below using the intermediate mullion, part numbers SMI-001 and SMI-003.



NOTCHED SPECS
SIDE VIEW.



NOTCHED SPECS
PLAN VIEW.

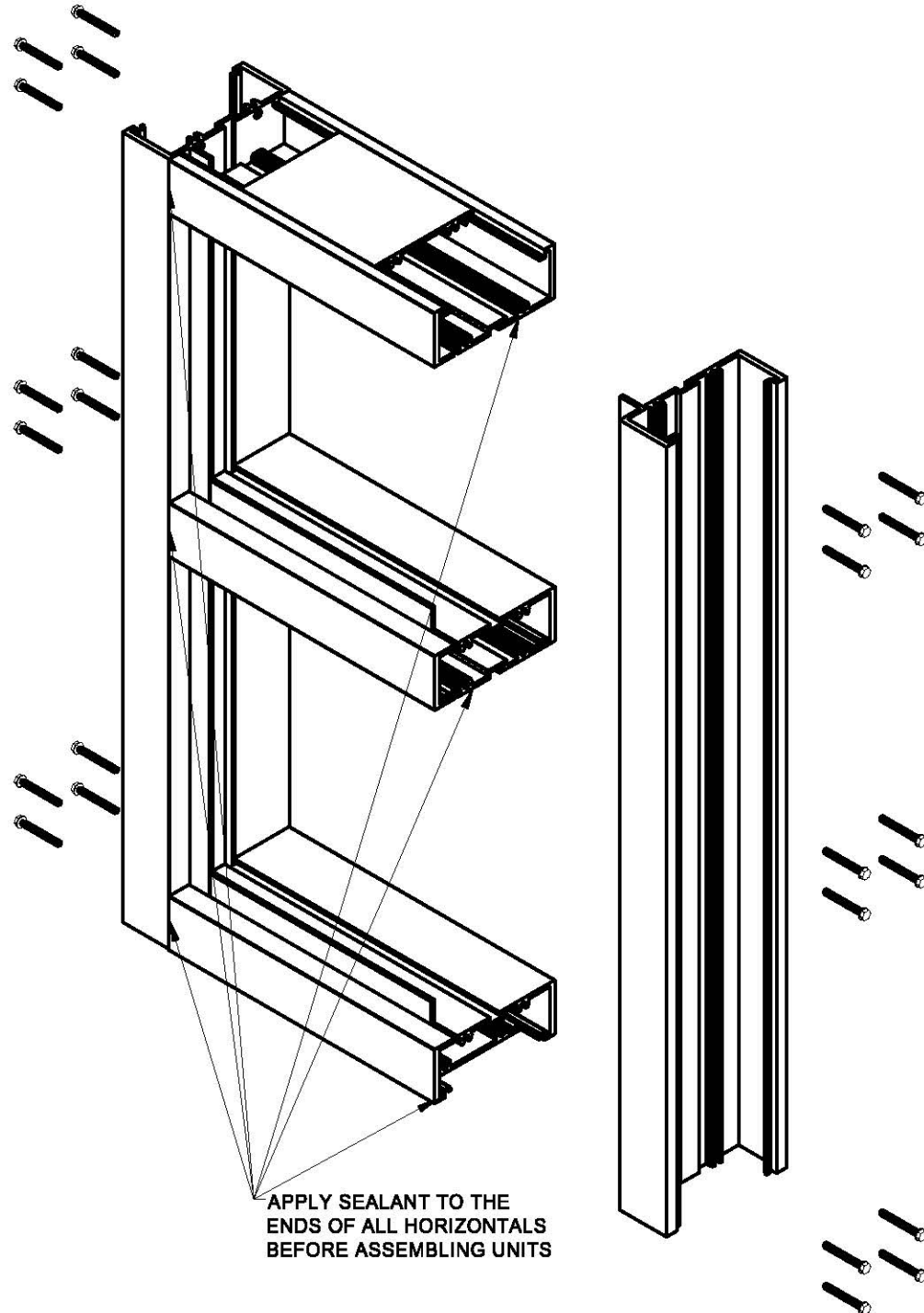


Assembly Instructions

Apply sealant to the ends of the horizontal framing members prior to fastening to the vertical jambs or mullions. This will provide the joint seal necessary to prevent water penetration.

Affix the horizontal members to the vertical framing member by screwing four (4) # 12 X 1 1/2" S.S. hex head screws into each joint location as shown below.

The fabricated frame can be pre-glazed prior to shipping.

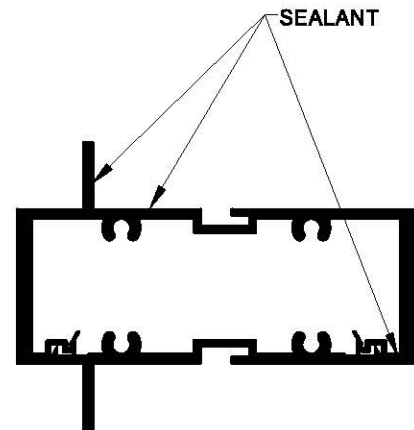
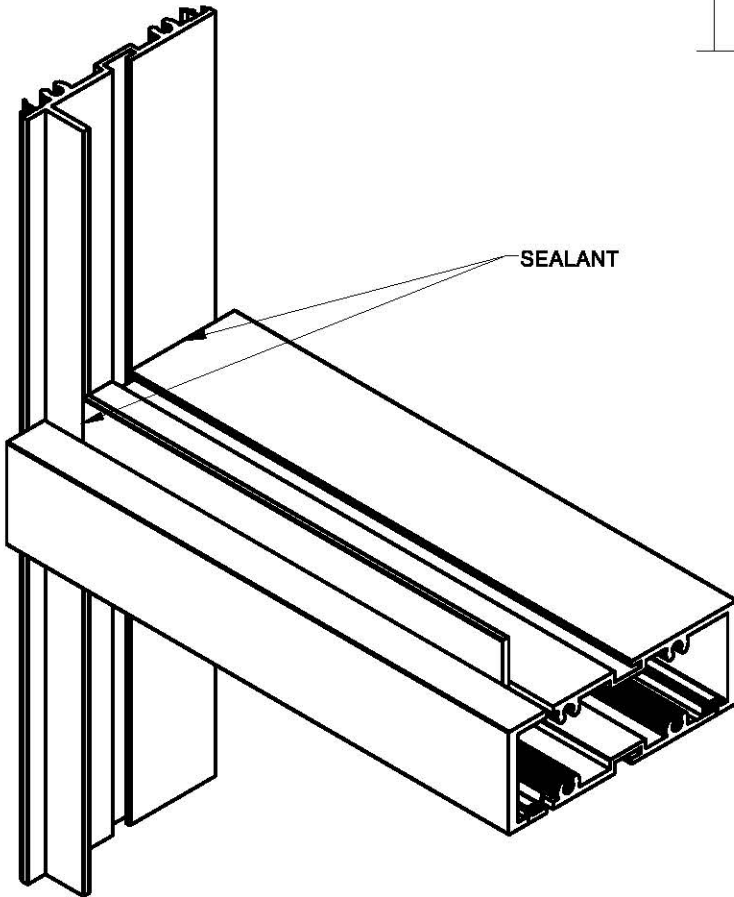
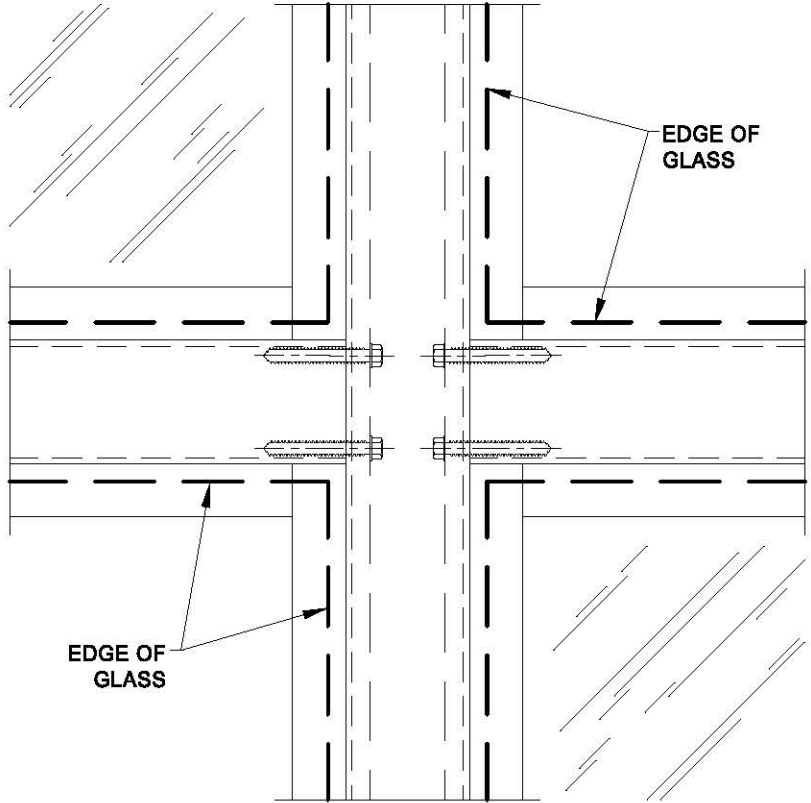


INSTALLATION INSTRUCTIONS

INSTALLATION INSTRUCTIONS

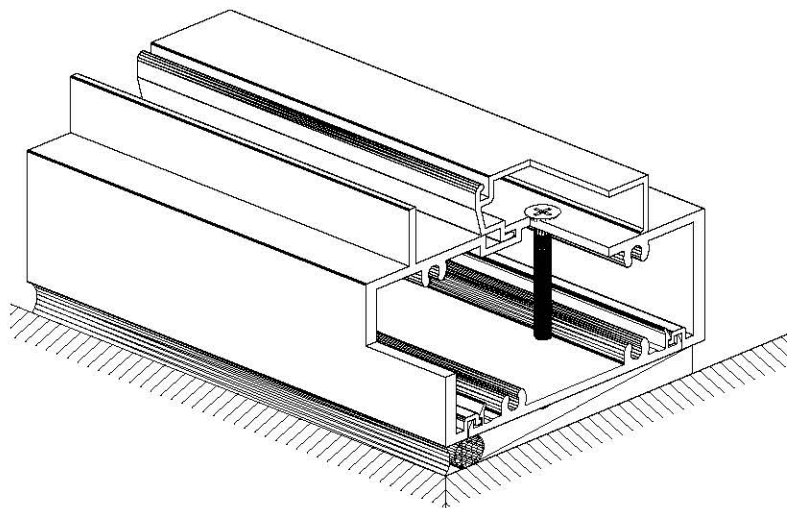
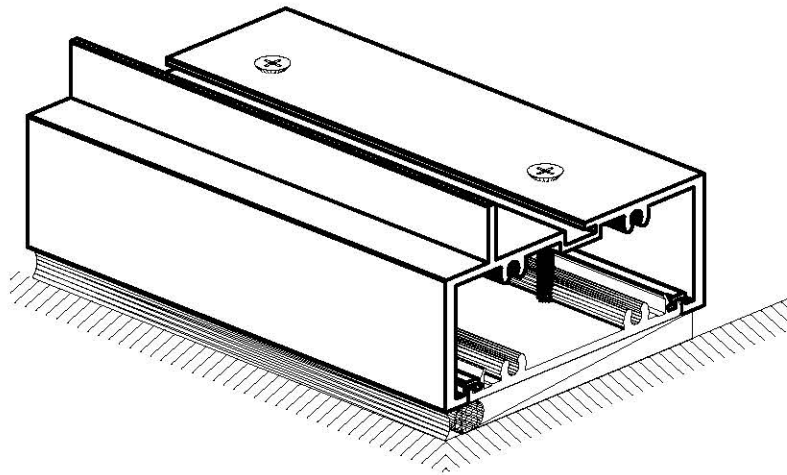
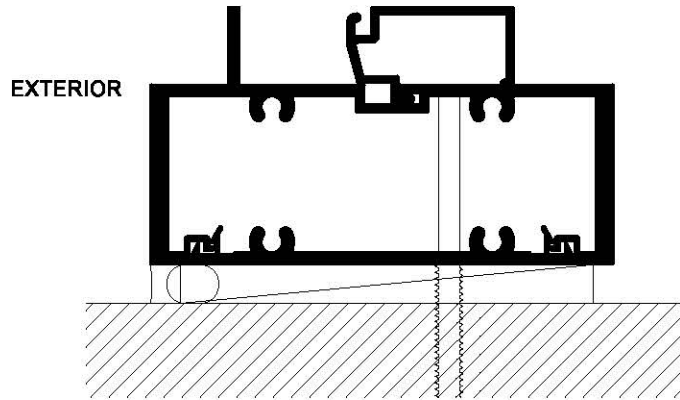
Assembly

When assembling the horizontal framing member to the vertical, apply recommended sealant to the front fin surface and the edge of the horizontal extrusion. Extend the sealant around the ends of all horizontal members to ensure a uniform seal between the two framing members.

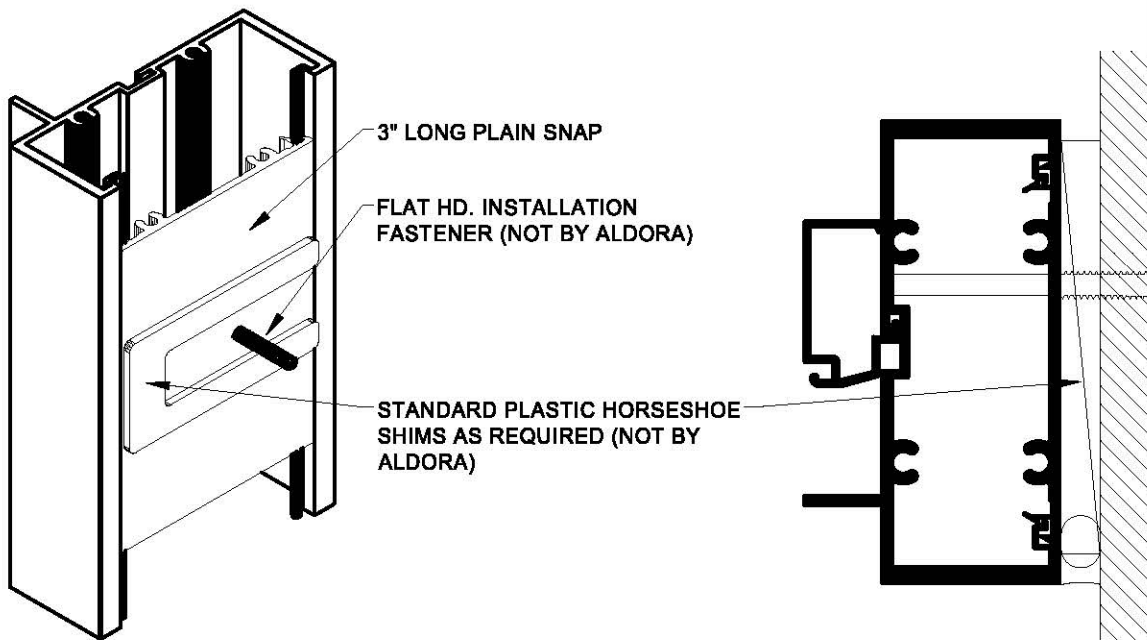


Installation Instructions

When setting the sill member, create a perimeter seal gap by shimming the sill $\frac{1}{4}$ " above the substrate. Installation screws are spaced per the shop drawings and are located behind the glazing pocket. The installation screw is fastened through the sill and the plain snap and into the substrate. The screws will be covered by the glass stop after the unit has been glazed.



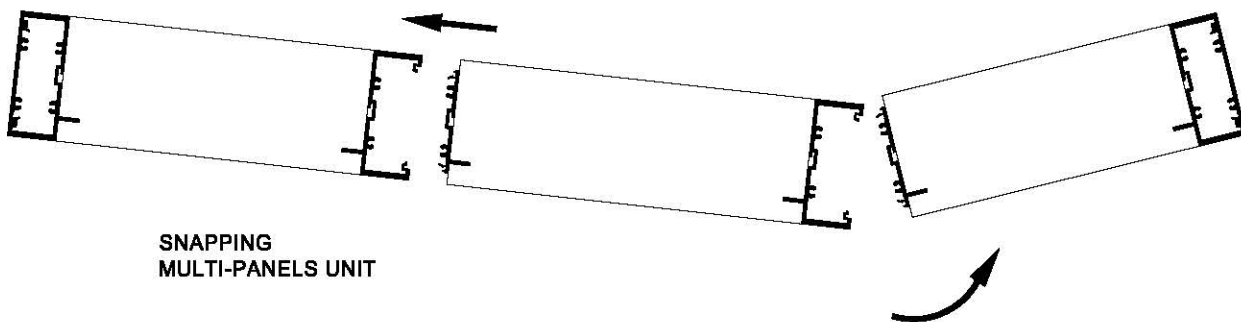
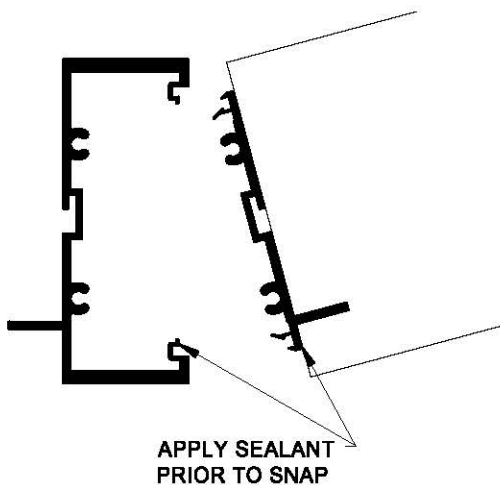
INSTALLATION INSTRUCTIONS



Installation Instructions (continued)

Use standard horseshoe shims to create the perimeter gap necessary for perimeter sealant to be applied. Shims are inserted around the installation screws between the plain snap and the substrate.

When installing multi-panel units, set the first panel (the panel with jambs on both verticals), then snap in the adjacent unit. Prior to snapping, run a sealant bead along the joint created at fin of both panels. Once snapped, fasten with installation screws at head and sill and repeat the process with each remaining panel until the opening is complete.

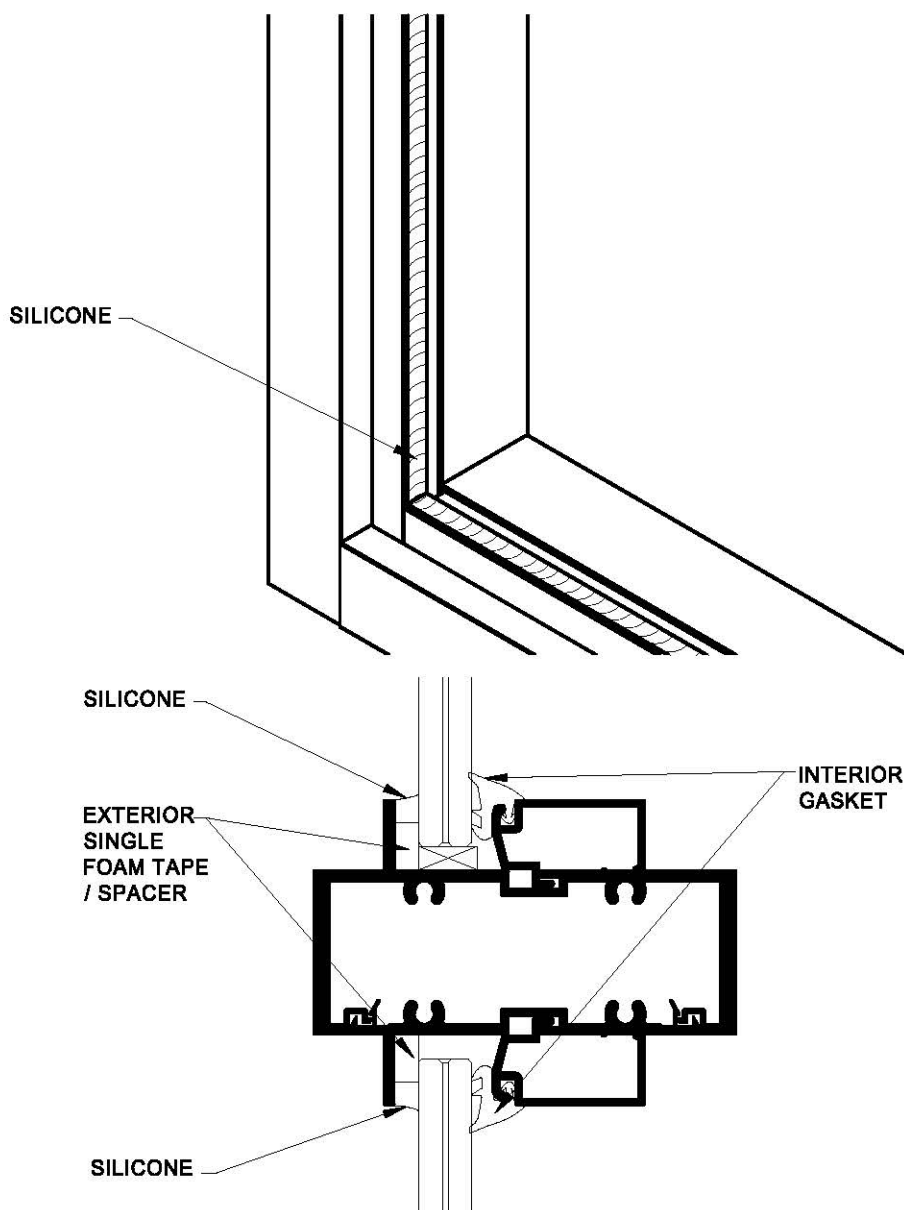


Installation Instructions (continued)

The SMI-175 System only can be glazed with impact 9/16" laminated glass.

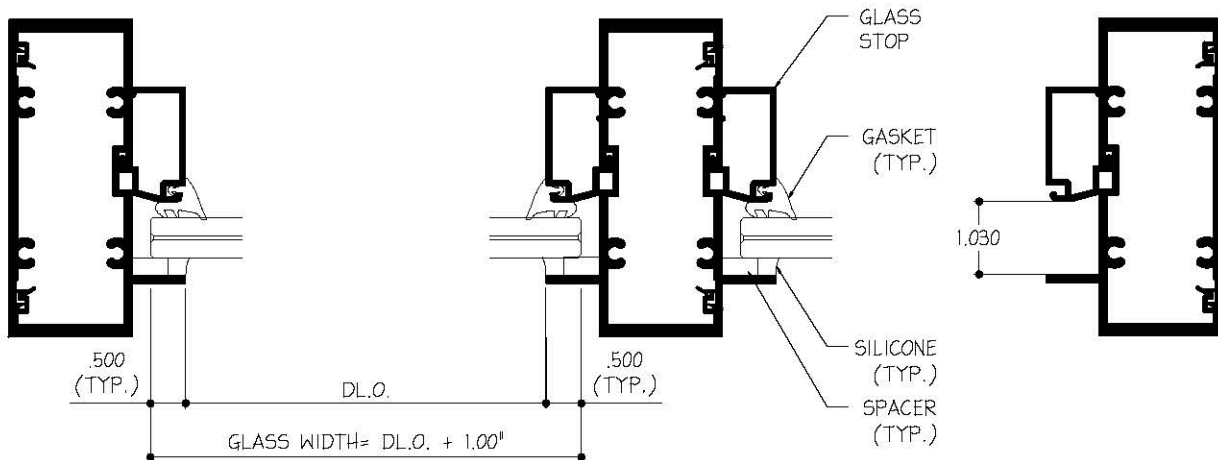
- 9/16" Impact

Bond the single face foam tape on the fin of the framing member. Be sure to leave 1/4" of the exterior fin clear, This will create the pocket for the proper amount of structural silicone. Place the setting blocks and set the glass in the pocket, setting blocks must be compatible with the laminated glass being used. Pump silicone into the pocket from the gasket to the top of the fin. Tool the silicone so that it channels water away from the glass. Insert the glass stop in the stop guide and wedge the glazing gasket between the glass and glass stop. Temporary glass stops may be used where screw inspections are required.



The SMI-175 has one glass stop location. Glazing with 9/16" laminated hurricane resistant glass the glazing pocket measures approximately 1 1/16" in width.

TYPICAL GLASS SIZE IS DAYLITE OPENING (D.L.O.) + 1.00"

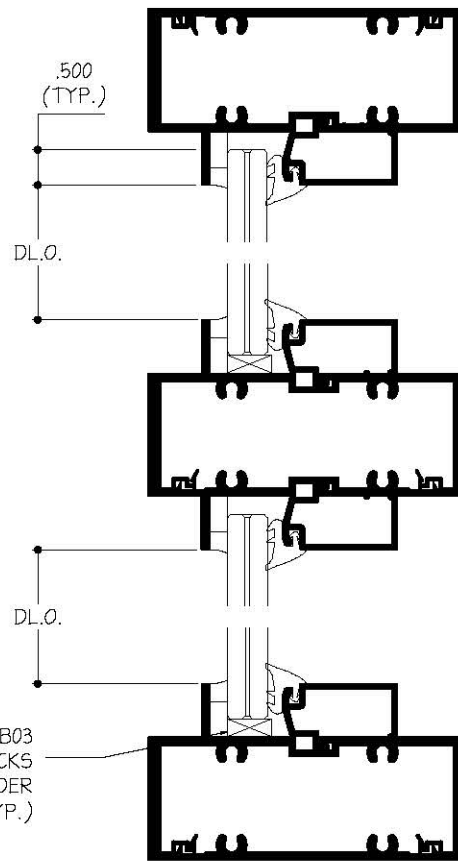


GLAZING CHART FOR SMI-175 STOREFRONT SYSTEM		
NOMINAL INFILL THICKNESS	EXTERIOR FOAM TAPE	INTERIOR GASKET
9/16"	SMI-G02	SMI-G01

EXTERIOR GLAZING FOAM TAPE:



INTERIOR GLAZING GASKET:



SMI-SB03
 SETTING BLOCKS
 AT 1/4 POINTS UNDER
 THE GLASS (TYP.)

The 175 System has a reinforcement option and is required depending on the size of the units and the design pressures. The reinforcements must run the entire length of the vertical member. Please consult with your Aldora representative to ensure when use the reinforcement.

All steel must be coated with a corrosion-inhibitor including any cut ends.

STEEL REINFORCEMENT CHART FOR 175 SYSTEM		
PART #	SPECS	MULLION PART #
ST-1 + ST-2	1 1/8" X 4" X 1 1/8" 3/16" THK. FORMED STL. CHANNEL + 7/8" X 3 9/16" X 7/8" 1/8" THK. FORMED GALV. CHANNEL.	SMI-001/003

**STEEL REINFORCEMENT AT THE STANDARD MULLION
 (WHEN REQUIRED, REFER TO NOA'S CHARTS)**

