



DEPARTMENT OF REGULATORY AND ECONOMIC RESOURCES (RER)
BOARD AND CODE ADMINISTRATION DIVISION

NOTICE OF ACCEPTANCE (NOA)

MIAMI-DADE COUNTY
PRODUCT CONTROL SECTION
11805 SW 26 Street, Room 208
T (786) 315-2590 F (786) 315-2599
www.miamidade.gov/economy

Aldora Aluminum & Glass Products, Inc.
4250 Coral Ridge Drive, Suite # 101
Coral Springs, FL 33065

SCOPE:

This NOA is being issued under the applicable rules and regulations governing the use of construction materials. The documentation submitted has been reviewed and accepted by Miami-Dade County RER-Product Control Section to be used in Miami-Dade County and other areas where allowed by the Authority Having Jurisdiction (AHJ).

This NOA shall not be valid after the expiration date stated below. The Miami-Dade County Product Control Section (In Miami-Dade County) and/ or the AHJ (in areas other than Miami-Dade County) reserve the right to have this product or material tested for quality assurance purposes. If this product or material fails to perform in the accepted manner, the manufacturer will incur the expense of such testing and the AHJ may immediately revoke, modify, or suspend the use of such product or material within their jurisdiction. RER reserves the right to revoke this acceptance, if it is determined by Miami-Dade County Product Control Section that this product or material fails to meet the requirements of the applicable building code.

This product is approved as described herein and has been designed to comply with the Florida Building Code, including the High Velocity Hurricane Zone.

DESCRIPTION: Series "K2LM" 10'-0" Outswing Glazed Aluminum Entrance Door w/wo Transom- L.M.I.

APPROVAL DOCUMENT: Drawing No. **W04-91 Rev K**, titled "Series K2LM Alum. Out-Swing Entrance Door", sheets 1 through 4, 4.1, 4.2, 5 through 8, 8.1, 9, 9.1, 10, 11 and 11.1, dated 10/25/04 and last revised on OCT 28, 2020, prepared by Al-Farooq Corporation, signed and sealed by Jalal Farooq, P. E., bearing the Miami-Dade County Product Control Revision stamp with the Notice of Acceptance number and Expiration date by the Miami-Dade County Product Control Section.

MISSILE IMPACT RATING: Large and Small Missile Impact Resistant

Limitations:

1. See sheets **2** & **4.1** for Door Pressure (DP) w/o Transom. See sheet **3** for DP of O/X and O/XX doors w/wo Transom Reinf.). Lower DP of doors or Horizontal Transom bar shall control for the entire assembly.
2. Lower design pressure shall control, when door or door w/ transom is mulled to storefront system, the vertical mullion end anchors to be specified per tributary load and to be reviewed by **AHJ**. See Vertical mullion max height and capacity in sheet **5** and **6**.
3. See Sheet **7** for High threshold rated for water infiltration.
4. Glass lites wider than 36" shall have setting blocks per FBC requirements. CMU (Masonry) is applicable to Jamb.
5. Private labelling is **not** part of this NOA.

RENEWAL of this NOA shall be considered after a renewal application has been filed and there has been no change in the applicable building code negatively affecting the performance of this product.

TERMINATION of this NOA will occur after the expiration date or if there has been a revision or change in the materials, use, and/or manufacture of the product or process. Misuse of this NOA as an endorsement of any product, for sales, advertising or any other purposes shall automatically terminate this NOA. Failure to comply with any section of this NOA shall be cause for termination and removal of NOA.

ADVERTISEMENT: The NOA number preceded by the words Miami-Dade County, Florida, and followed by the expiration date may be displayed in advertising literature. If any portion of the NOA is displayed, then it shall be done in its entirety.

INSPECTION: A copy of this entire NOA shall be provided to the user by the manufacturer or its distributors and shall be available for inspection at the job site at the request of the Building Official.

This NOA **revises NOA No. 17-1106.01** and consists of this page 1 and evidence pages E-1, E-2, E-3, E-4 and E-5, as well as approval document mentioned above.

The submitted documentation was reviewed by **Ishaq I. Chanda, P. E.**



Ishaq I. Chanda

NOA No. 20-0828.08
Expiration Date: May 12, 2022
Approval Date: December 17, 2020
Page 1

NOTICE OF ACCEPTANCE: EVIDENCE SUBMITTED

1. EVIDENCE SUBMITTED UNDER PREVIOUS NOA'S

A. DRAWINGS

1. Manufacturer's die drawings and sections. *(Submitted under NOA No. 05-0301.04*
2. Drawing No. **W04-91**, titled "Series K2LM Alum. Out-Swing Entrance Door", sheets 1 through 4, 4.1, 4.2, 5 through 8, 8.1, 9, 9.1, 10, 11 and 11.1 of 16, dated 10/25/04, with revision "**H**" dated 01/11/17, prepared by Al-Farooq Corporation, signed and sealed by Javad Ahmad, P. E.

B. TESTS

1. Test reports on: 1) Air Infiltration Test per FBC, TAS 202-94
2) Uniform Static Air Pressure Test Loading per FBC, TAS 202-94
3) Water Resistance Test per FBC, TAS 202-94
4) Forced Entry Test, per FBC 2411.3.2.1 (b) and TAS 202-94

along with marked-up drawings and installation diagram of an aluminum outswing door with transom, prepared by Blackwater Testing, Inc., Test Report No.-**15-009**, dated 02/18/16 respectively, signed and sealed by Yamil Gerardo Kuri, P. E.

2. Test reports on: 1) Large Missile Impact Test per FBC, TAS 201-94
2) Cyclic Wind Pressure Loading per FBC, TAS 203-94

along with marked-up drawings and installation diagram of an aluminum outswing door with transom, prepared by Blackwater Testing, Inc., Test Report No. **BT-ALD-15-008**, dated 02/15/16 respectively, signed and sealed by Yamil Gerardo Kuri, P. E.

3. Test reports on: 1) Air Infiltration Test per FBC, TAS 202-94
2) Uniform Static Air Pressure Test Loading per FBC, TAS 202-94
3) Water Resistance Test per FBC, TAS 202-94
4) Large Missile Impact Test per FBC, TAS 201-94
5) Cyclic Wind Pressure Loading per FBC, TAS 203-94
6) Forced Entry Test, per FBC 2411.3.2.1 (b) and TAS 202-94

along with marked-up drawings and installation diagram of an aluminum outswing door, all prepared by Fenestration Testing Laboratory, Inc., Test Reports No.'s **FTL-4267**, **FTL-4238**, **FTL-4257** and **FTL-4276**, dated 06/18/04, 06/30/04, 08/12/04 and 08/13/04 all respectively, signed and sealed by Edmundo J. Largaespada, P. E. *(Submitted under NOA No. 05-0301.04)*

C. CALCULATIONS

1. Anchor verification calculations and structural analysis, complying with **FBC 5th Edition (2014)**, prepared by Al-Farooq Corporation, dated 01/17/17, signed and sealed by Javad Ahmad, P. E.
2. **Glazing complies with ASTM E1300-09.**

D. QUALITY ASSURANCE

1. Miami-Dade Department of Regulatory and Economic Resources (RER)

Ishaq I. Chanda

Ishaq I. Chanda, P. E.
Product Control Unit Supervisor
NOA No. 20-0828.08
Expiration Date: May 12, 2022
Approval Date: December 17, 2020

NOTICE OF ACCEPTANCE: EVIDENCE SUBMITTED

E. MATERIAL CERTIFICATIONS

1. Notice of Acceptance No. **15-1201.11** issued to **Eastman Chemical Company (MA)** for their “**Saflex Clear and Color Glass Interlayers**” dated 05/17/16, expiring on 05/21/21.
2. Notice of Acceptance No. **14-0423.16** issued to **Eastman Chemical Company (MA)** for their “**Saflex HP Clear or Color Glass Interlayers**” dated 06/19/14, expiring on 04/14/18.
3. Notice of Acceptance No. **13-1126. 20** issued to **Allnex USA, Inc.** for their “**Uvekol S Laminated Glass Interlayer**”, dated 02/20/14, expiring on 02/08/19.
4. Material Data Sheet for the Neoprene setting block material, by Frank Lowe Rubber & Gasket Co., Inc.

F. STATEMENTS

1. Statement letter of conformance to, of complying with **FBC 5th Edition (2014)**, and of no financial interest, dated dated 01/17/17, signed and sealed by Javad Ahmad, P. E.
2. Department of State Certification of **ALDORA ALUMINUM & GLASS PRODUCTS, INC.** as a for foreign profit corporation, active and organized under the laws of the State of Florida, dated March 10, 2015 and filed by the Secretary of State.
(Submitted under NOA No. 15-0106.05)
3. Statement letter of conformance to, of complying with **FBC-2010**, and of no financial interest, dated 10/10/13, signed and sealed by Javad Ahmad, P. E.
(Submitted under NOA No. 13-1021.03)
4. Statement letter dated 08/21/13, issued by Aldora Aluminum & Glass Products, Inc. of legally purchase of asset and rights of **NOA No. 11-1208.01** from Pande Pane, LLC dba SMI Aluminum System, LLC and requesting that said NOA be issued under their name, signed by Manny Valladares, for and on behalf of Aldora Aluminum & Glass Products, Inc. *(Submitted under NOA No. 13-1021.03)*
5. Letter from owners of existing NOA stating that they have sold all assets to the applicant, that they no longer manufacture the product and relinquish their rights to the current **NOA No. 11-1208.01**, dated 08/21/13, signed by Mr. Manny Valladares, for and on behalf of Pande Pane, LLC dba SMI Aluminum Systems, LLC.
(Submitted under NOA No. 13-1021.03)
6. Bill of Sale dated July 26, 2013, delivered by Aldora Holdco, Inc. transferring assets to Aldora Aluminum & Glass Products, Inc., signed by Mr. Scott Hauncher, Vice President, Aldora Holdco, Inc. *(Submitted under NOA No. 13-1021.03)*
7. Assignment & Assumption agreement dated July 26, 2013 between Aldora Holdings LLC, Pande Pane, LLC dba SMI Aluminum Systems, LLC, Architectural Glass Products, LLC (each an “Assignor” and collectively, the “Assignors”) and Aldora Holdco, Inc. (the “Assignee”) signed by Leon Silverstein, Aldora Holdings LLC manager; Leon Silverstein, SMI Aluminum Systems, LLC, manager; Leon Silverstein, Architectural Glass Products, LLC manager and Scott Hauncher, VP Aldora Holdco, Inc. *(Submitted under NOA No. 13-1021.03)*

Ishaq I. Chanda

Ishaq I. Chanda, P. E.
Product Control Unit Supervisor
NOA No. 20-0828.08
Expiration Date: May 12, 2022
Approval Date: December 17, 2020

Aldora Aluminum & Glass Products, Inc.

NOTICE OF ACCEPTANCE: EVIDENCE SUBMITTED

F. STATEMENTS (continue):

8. Department of State Certification of **ALDORA ALUMINUM & GLASS PRODUCTS, INC.** as a for foreign profit corporation, active and organized under the laws of the State of Delaware, dated July 18, 2013 and signed by Jeffrey W. Bullock, Secretary of State.
(Submitted under NOA No. 13-1021.03)
9. Department of State Certification of **ALDORA ALUMINUM & GLASS PRODUCTS, INC.** as a for foreign profit corporation, active and organized under the laws of the State of Florida, dated July 20, 2013 and signed by T. Burgh, Secretary of State.
(Submitted under NOA No. 13-1021.03)
10. Laboratory compliance letter for Test Reports No.'s **BT-ALD-15-008** and **BT-ALD-15-009**, issued by Blackwater Testing, Inc., dated 02/15 and 02/18/16 respectively, both signed and sealed by Yamil Gerardo Kuri, P. E.
11. Proposal No. **16-0633**, issued by the Product Control Section, dated 08/26/2016, signed by Ishaq I. Chanda, P. E.
12. Testing agreement from manufacturer and testing laboratory requesting a 1-year extension to allow time to perform verification test, dated 04/28/10, signed by Frank H. Messa, V.P., respectively for SMI Systems and by Leigh B. Sanchez, V.P., respectively for Fenestration Testing Laboratory, Inc. *(Submitted under NOA No. 15-0106.05)*
13. Laboratory compliance letter for Test Reports No.'s **FTL-4267, FTL-4238, FTL-4257, FTL-4276**, all issued by Fenestration Testing Laboratory, Inc., dated 16/18/04, 06/30/04, 08/12/04 and 08/13/04 all respectively, signed and sealed by Edmundo J. Largaespada, P. E. *(Submitted under NOA No. 05-0301.04)*
14. Proposal No. **03-0384**, issued by the Product Control, dated 04/01/2004, signed by Jaime D. Gascon, P. E. *(Submitted under NOA No. 05-0301.04)*

G. OTHERS

1. Notice of Acceptance No. **15-0106.05**, issued to Aldora Aluminum & Glass Products, Inc. for their Series "**K2LM 10'-0" Outswing Glazed Aluminum Entrance Door - L.M.I.**", approved on 04/02/15 and expiring on 05/12/16.

2. EVIDENCE SUBMITTED under previous approval.

A. DRAWINGS

1. Drawing No. **W04-91**, titled "Series K2LM Alum. Out-Swing Entrance Door", sheets 1 through 4, 4.1, 4.2, 5 through 8, 8.1, 9, 9.1, 10, 11 and 11.1 of 11, dated 10/25/04, with revision "**J**" dated 01/05/18, prepared by Al-Farooq Corporation, signed and sealed by Javad Ahmad, P. E.

B. TESTS

1. None.

Ishaq I. Chanda

Ishaq I. Chanda, P. E.
Product Control Unit Supervisor
NOA No. 20-0828.08
Expiration Date: May 12, 2022
Approval Date: December 17, 2020

Aldora Aluminum & Glass Products, Inc.

NOTICE OF ACCEPTANCE: EVIDENCE SUBMITTED

C. CALCULATIONS

1. Structural analysis, complying with **FBC 6th Edition (2017)**, prepared by Al-Farooq Corporation, dated 10/24/17 and 01/08/18, signed and sealed by Javad Ahmad, P. E.

CI. QUALITY ASSURANCE

1. Miami-Dade Department of Regulatory and Economic Resources (RER)

CII. MATERIAL CERTIFICATIONS

1. Notice of Acceptance No. **17-0712.05** issued to **Eastman Chemical Company (MA)** for their "**Saflex Clear and Color Glass Interlayers**" dated 09/07/17, expiring on 05/21/21.
2. Notice of Acceptance No. **17-0712.04** issued to **Eastman Chemical Company (MA)** for their "**Saflex HP Clear or Color Glass Interlayers**" dated 09/07/17, expiring on 04/14/18.
3. Notice of Acceptance No. **17-0919.09** issued to **Allnex USA, Inc.** for their "**Uvekol S Laminated Glass Interlayer**", dated 12/28/17, expiring on 02/08/19.

CIII. STATEMENTS

1. Statement letter of conformance to **FBC 6th Edition (2017)**, and of no financial interest, dated 10/24/17, signed and sealed by Javad Ahmad, P. E.
2. Letter of clarification for Test Reports No. **BT-ALD-15-009**, issued by Blackwater Testing, Inc., dated 04/10/17 respectively, signed and sealed by Yamil Gerardo Kuri, P. E.

CIV. OTHERS

1. This NOA revises NOA #17-1106.01, expiring on 05/12/2018.

CV. NEW EVIDENCE SUBMITTED

A DRAWINGS

1. Drawing No. **W04-91 Rev K**, titled "Series K2LM Alum. Out-Swing Entrance Door", sheets 1 through 4, 4.1, 4.2, 5 through 8, 8.1, 9, 9.1, 10, 11 and 11.1, dated 10/25/04 and last revised on OCT 28, 2020, prepared by Al-Farooq Corporation, signed and sealed by Jalal Farooq, P. E.

CVI. TESTS

1. None.

CVII. CALCULATIONS

1. Structural analysis, complying with **FBC 7th Edition (2020)**, prepared by Al-Farooq Corporation, dated 08/14/20, signed and sealed by Jalal Farooq, P. E.

CVIII. QUALITY ASSURANCE

1. Miami-Dade Department of Regulatory and Economic Resources (RER)

Ishaq I. Chanda

Ishaq I. Chanda, P. E.

Product Control Unit Supervisor

NOA No. 20-0828.08

Expiration Date: May 12, 2022

Approval Date: December 17, 2020

Aldora Aluminum & Glass Products, Inc.

NOTICE OF ACCEPTANCE: EVIDENCE SUBMITTED

E. MATERIAL CERTIFICATIONS

1. Notice of Acceptance No. **17-0712.05** issued to **Eastman Chemical Company (MA)** for their “**Saflex Clear and Color Glass Interlayers**”, expiring on 05/21/21.
2. Notice of Acceptance No. **20-0627.03** issued to **Eastman Chemical Company (MA)** for their “**Saflex HP Clear or Color Glass Interlayers**”, expiring on 11/20/23.
3. Notice of Acceptance No. **19-0221.01**, issued to Allnex, USA (former Cytec Industries Inc.) for “Uvekol S laminated glass interlayer”, expiring on 02/08/2024.
4. Material Data Sheet for the Neoprene setting block material, by Frank Lowe Rubber & Gasket Co., Inc

F. STATEMENTS

1. Statement letter of conformance to **FBC 7th Edition (2020)**, and of no financial interest, dated 08/14/20, signed and sealed by Jalal Farooq, P. E.

G. OTHERS

1. This NOA revises NOA #17-1106.01 and updates to FBC 2020, expiring on 05/12/2022.

Ishaq I. Chanda

Ishaq I. Chanda, P. E.
Product Control Unit Supervisor
NOA No. 20-0828.08
Expiration Date: May 12, 2022
Approval Date: December 17, 2020

PRODUCT REVISED
 as complying with the Florida
 Building Code
 NOA-No. 20-0828.08
 Expiration Date 05/12/2022
 By *Ishag I. Chank*
 Miami-Dade Product Control

SERIES K2LM ALUMINUM OUT-SWING DOOR

USE BUMPER THRESHOLD (#5A+5B) WHEN WATER INFILTRATION REQUIREMENTS ARE NOT APPLICABLE.

USE HIGH-RISE THRESHOLD COVER (#5A+5C) WHEN WATER INFILTRATION REQUIREMENTS MUST BE MET.

SEE CHARTS ON SHEET 2 FOR DESIGN LOAD CAPACITY OF SINGLE (X) AND DOUBLE (XX) LEAF DOORS W/O TRANSOMS.

SEE CHARTS ON SHEET 3 FOR DESIGN LOAD CAPACITY OF SINGLE (O/X) OR DOUBLE (O/XX) LEAF DOORS WITH TRANSOMS.

SEE CHARTS ON SHEETS 5 & 6 FOR DESIGN LOAD CAPACITY OF DOOR MULLION.

USE LOWER VALUES OF DOOR MULLION CHARTS (SHEETS 5 & 6) OR DOOR CAPACITY CHARTS (SHEETS 2 & 3).

THIS PRODUCT HAS BEEN DESIGNED AND TESTED TO COMPLY WITH THE REQUIREMENTS OF THE 2017 (6TH EDITION)/2020 (7TH EDITION) FLORIDA BUILDING CODE INCLUDING HIGH VELOCITY HURRICANE ZONE (HVHZ).

1BY OR 2BY WOOD BUCKS & BUCK FASTENERS BY OTHERS, MUST BE DESIGNED AND INSTALLED ADEQUATELY TO TRANSFER APPLIED PRODUCT LOADS TO THE BUILDING STRUCTURE.

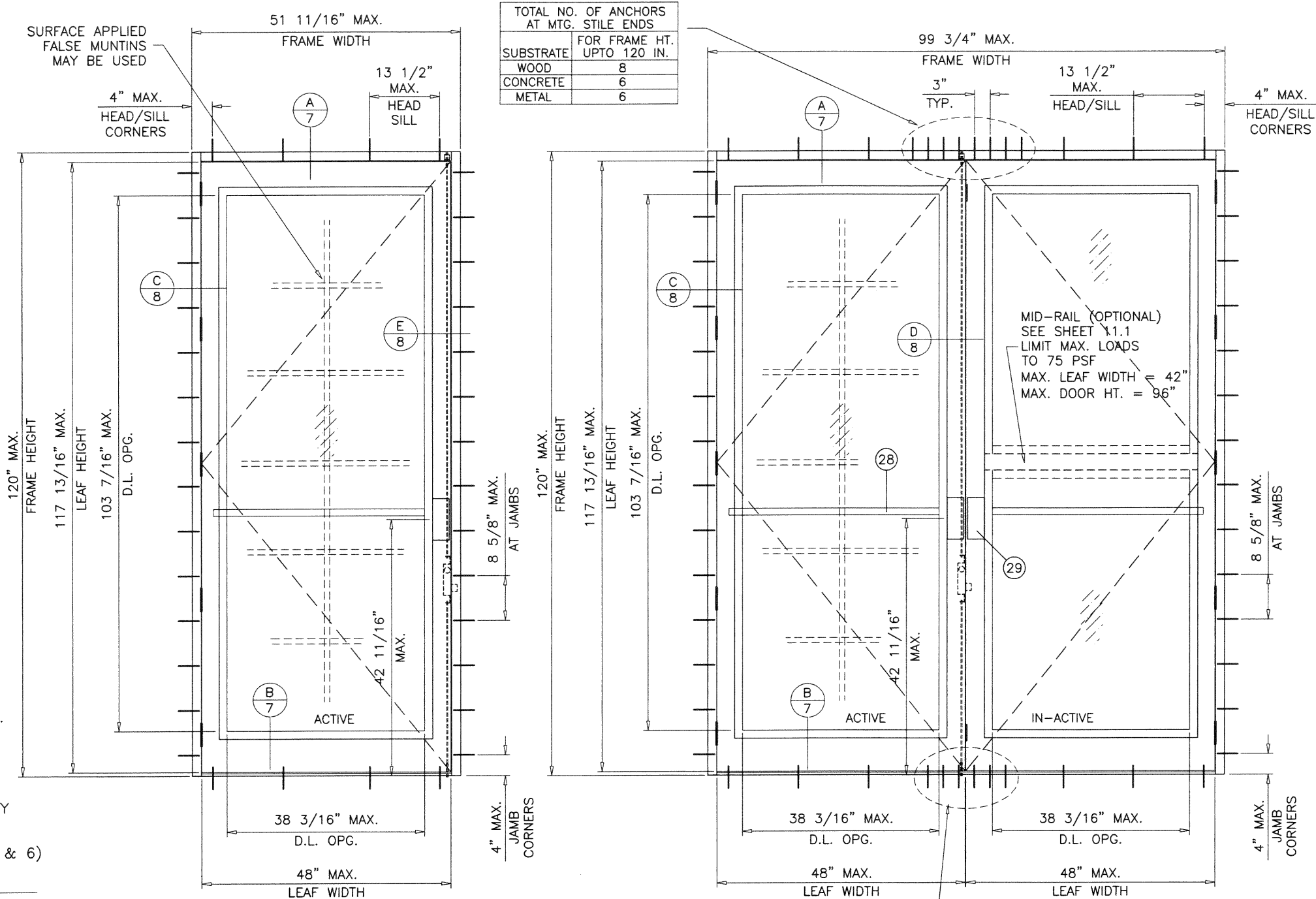
ANCHORS SHALL BE CORROSION RESISTANT, SPACED AS SHOWN ON DETAILS AND INSTALLED PER MANUF'S INSTRUCTIONS. SPECIFIED EMBEDMENT TO BASE MATERIAL SHALL BE BEYOND WALL DRESSING OR STUCCO.

A LOAD DURATION INCREASE IS USED IN DESIGN OF ANCHORS INTO WOOD ONLY. ALL SHIMS TO BE HIGH IMPACT, NON-METALLIC AND NON-COMPRESSIBLE.

MATERIALS INCLUDING BUT NOT LIMITED TO STEEL/METAL SCREWS, THAT COME INTO CONTACT WITH OTHER DISSIMILAR MATERIALS SHALL MEET THE REQUIREMENTS OF THE 2017/2020 FLORIDA BLDG. CODE & ADOPTED STANDARDS.

THIS PRODUCT APPROVAL IS GENERIC AND DOES NOT PROVIDE INFORMATION FOR A SITE SPECIFIC PROJECT, i.e. LIFE SAFETY OF THIS PRODUCT, ADEQUACY OF STRUCTURE RECEIVING THIS PRODUCT AND SEALING AROUND OPENING FOR WATER INFILTRATION RESISTANCE ETC. CONDITIONS NOT SHOWN IN THIS DRAWING ARE TO BE ANALYZED SEPARATELY, AND TO BE REVIEWED BY BUILDING OFFICIAL.

DESIGN LOADS SHOWN ARE BASED ON 'ALLOWABLE STRESS DESIGN (ASD)'.



TOTAL NO. OF ANCHORS AT MTG. STILE ENDS	
SUBSTRATE	FOR FRAME HT. UPTO 120 IN.
WOOD	8
CONCRETE	6
METAL	6

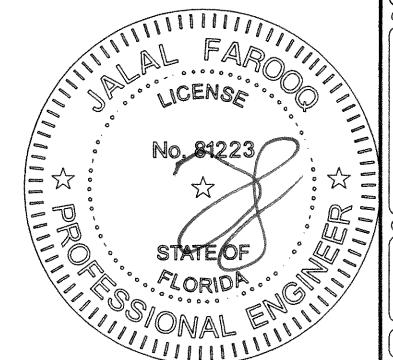
TYPICAL ELEVATIONS

THESE DOORS ARE RATED FOR LARGE & SMALL MISSILE IMPACT. SHUTTERS ARE NOT REQUIRED.

FRAME WIDTH = DOOR OPNG. WIDTH + 3.500
 LEAF HEIGHT = DOOR FRAME HEIGHT - 2.188"
 LEAF WIDTH (XX DOORS) = (DOOR OPNG. WIDTH - .250)/2
 LEAF WIDTH (X DOORS) = DOOR OPNG. WIDTH - .187
 GLASS DLO HEIGHT = LEAF HEIGHT - 14.375
 GLASS DLO WIDTH = LEAF WIDTH - 9.813

**LAMINATED GLASS
 LARGE MISSILE IMPACT**

OCT 28 2020



af c
AL-FAROOQ CORPORATION
 ENGINEERS & PRODUCT DEVELOPMENT
 9360 SUNSET DRIVE, SUITE 220
 MIAMI, FLORIDA 33173 (C.A.N. 3538)
 TEL. (305) 264-8100 FAX. (305) 262-6978
 COMP-ANL\W04-91SM

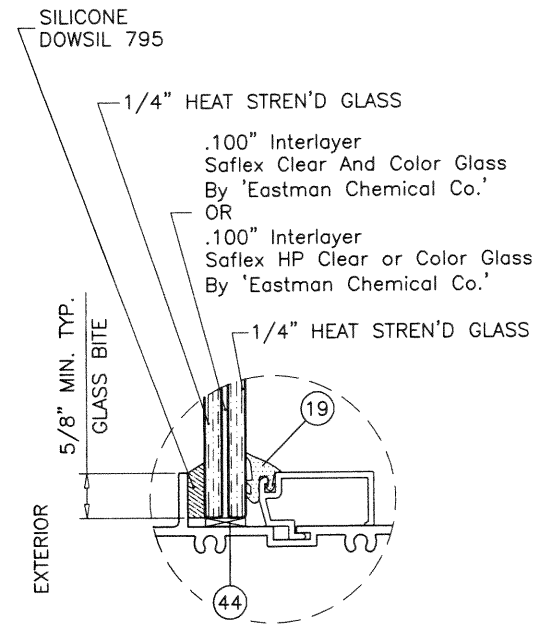
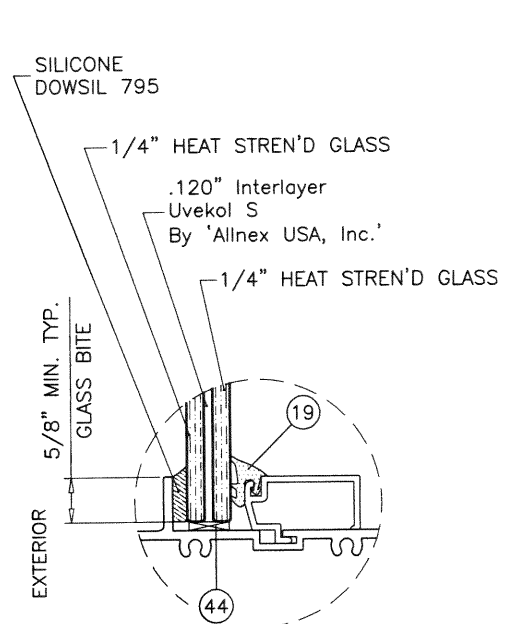
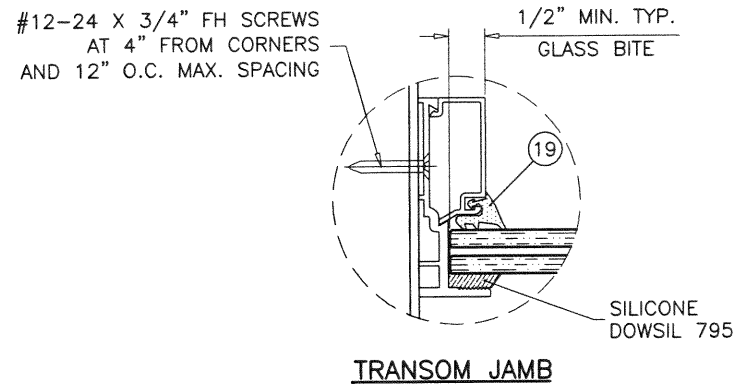
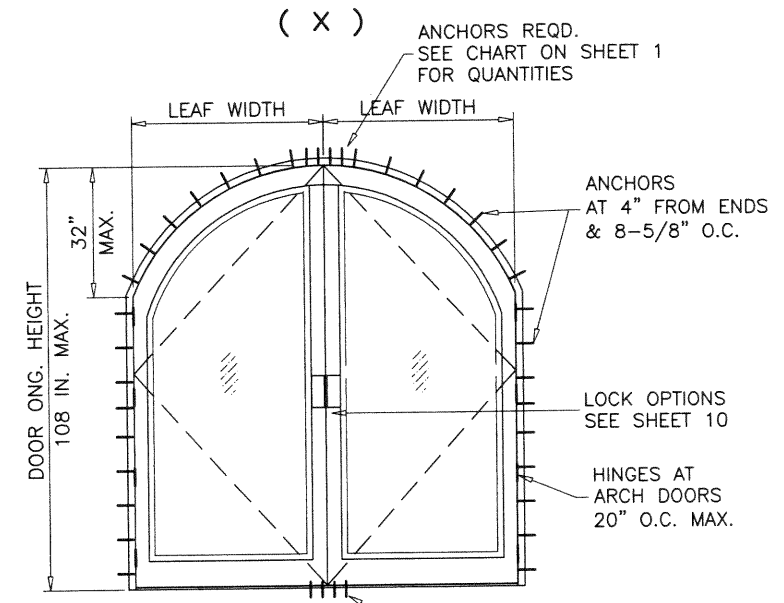
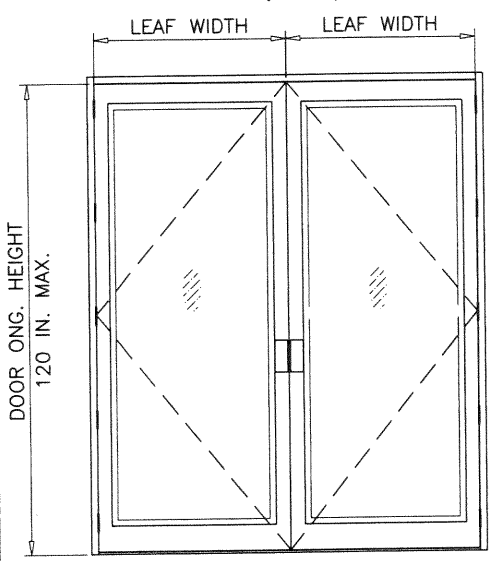
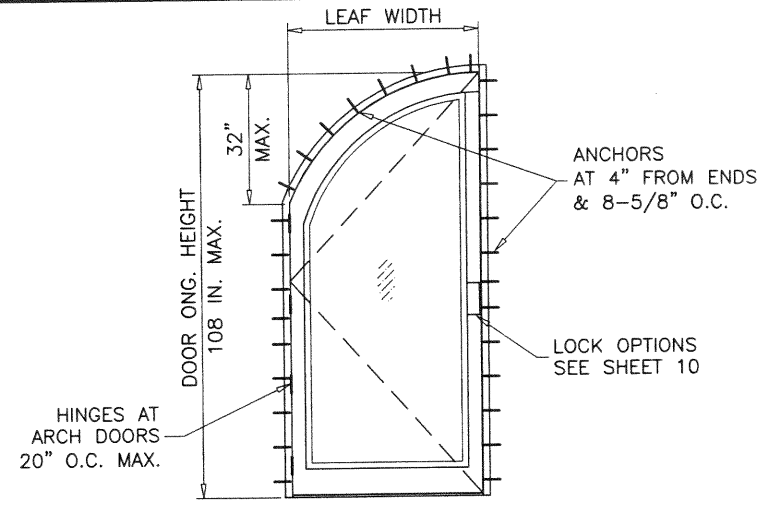
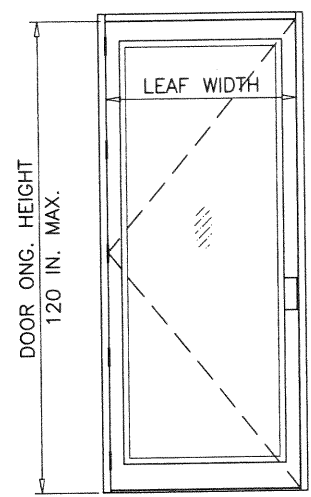
SERIES K2LM ALUM OUT-SWING ENTRANCE DOOR
Aldora Aluminum & Glass Products Inc.
 4250 Coral Ridge Drive, Suite 101
 Coral Springs, FL. 33065
 Tel. (954) 784-6900 Fax. (954) 784-6901

no	date	description	by
H	1.11.17	REV. PER PER COMMENTS	
I	09.05.17	REV. PER PER COMMENTS	
J	01.05.18	REV. PER PER COMMENTS	
K	06.25.20	UPDATED TO 2020 FBC	

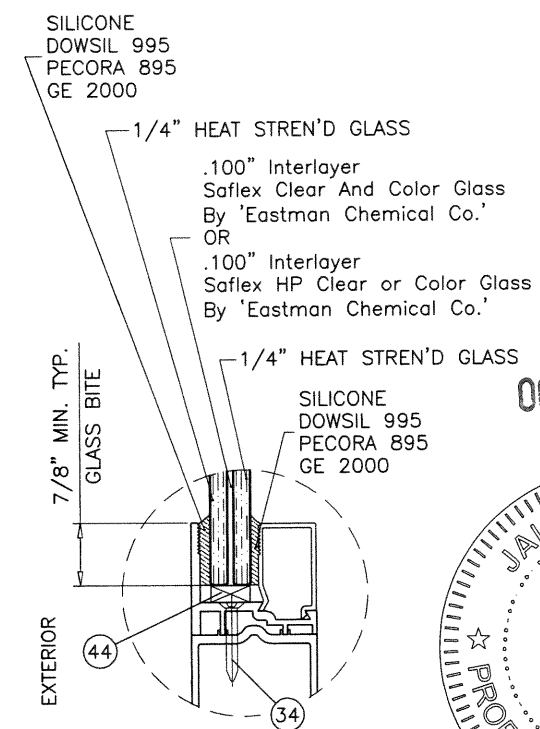
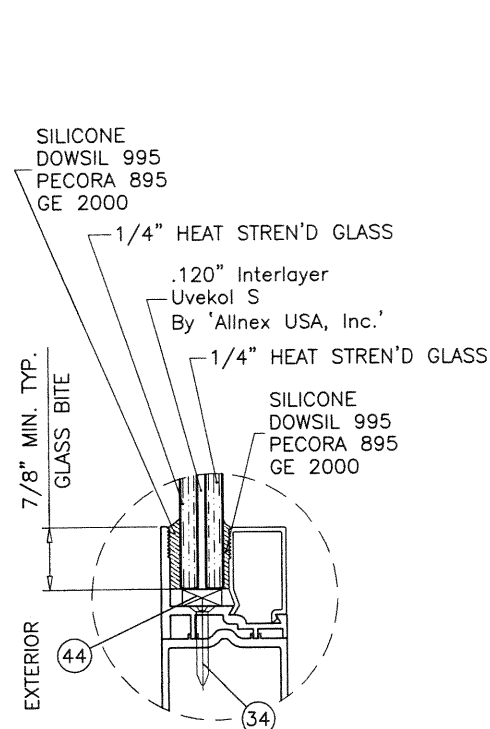
revisions:

date: 10-25-04
 scale: 1/2"=1'-0"
 dr. by: TARIQ
 chk. by:

drawing no. **W04-91**
 sheet 1 of 11



GLAZING DETAILS TRANSOM



GLAZING DETAILS DOOR LEAF

SINGLE OR DOUBLE ENTRANCE DOORS W/O TRANSOM GLASS TYPES 'A' & 'B'			
NOMINAL DIMS.		DESIGN LOAD CAPACITY-PSF	
OPNG. HEIGHT INCHES	LEAF WIDTH INCHES	EXT.(+)	INT.(-)
80	30	100.0	120.0
	36	100.0	120.0
	42	100.0	120.0
	48	100.0	120.0
84	30	100.0	120.0
	36	100.0	120.0
	42	100.0	120.0
	48	100.0	120.0
96	30	100.0	120.0
	36	100.0	120.0
	42	100.0	120.0
	48	100.0	120.0
108	30	100.0	120.0
	36	100.0	120.0
	42	100.0	120.0
	48	100.0	120.0
120	30	100.0	100.0
	36	100.0	100.0
	42	100.0	100.0
	48	100.0	100.0

PRODUCT REVISED
 as complying with the Florida
 Building Code
 NOA-No. 20-0828.08
 Expiration Date 05/12/2022
 By *Ishag I. Chanki*
 Miami-Dade Product Control

NOTE:
 GLASS CAPACITIES ON THIS SHEET ARE
 BASED ON ASTM E1300-09 (3 SEC. GUSTS)
 AND FLORIDA BUILDING COMMISSION
 DECLARATORY STATEMENT DCA05-DEC-219

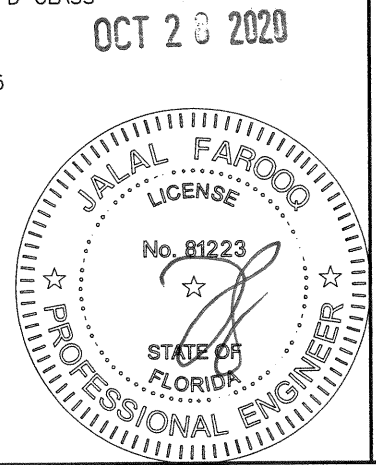
AL-FAROOQ CORPORATION
 ENGINEERS & PRODUCT DEVELOPMENT
 9360 SUNSET DRIVE, SUITE 220
 MIAMI, FLORIDA 33173 (C.A.N. 3538)
 TEL. (305) 264-8100 FAX. (305) 262-6978
 COMP-ANL\W04-91SM

SERIES K2LM ALUM OUT-SWING ENTRANCE DOOR
Aldora Aluminum & Glass Products Inc.
 4250 Coral Ridge Drive, Suite 101
 Coral Springs, FL 33065
 Tel. (954) 784-6900 Fax. (954) 784-6901

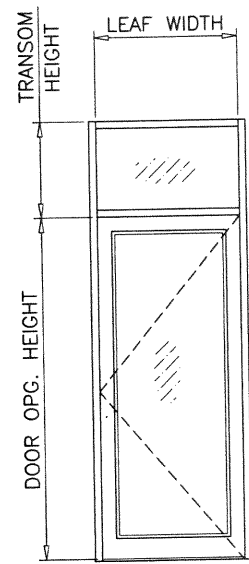
no	date	description
H	1.11.17	EDITORIAL CHANGES
I	09.05.17	REV. PER PER COMMENTS
J	01.05.18	REV. PER PER COMMENTS
K	06.25.20	UPDATED TO 2020 FBC

date: 10-25-04
 scale: 1/2"=1'-0"
 dr. by: TARIQ
 chk. by:

drawing no.
W04-91
 sheet 2 of 11



SINGLE ENTRANCE DOORS WITH TRANSOM					
DESIGN LOAD CAPACITY					
NOMINAL DIMS.			WITHOUT REINF.		
OPNG. WIDTH INCHES	DOOR HEIGHT INCHES	TRANSOM HEIGHT INCHES	EXT. (+)	INT. (-)	
48 MAX.	108 MAX.	60	100.0	120.0	



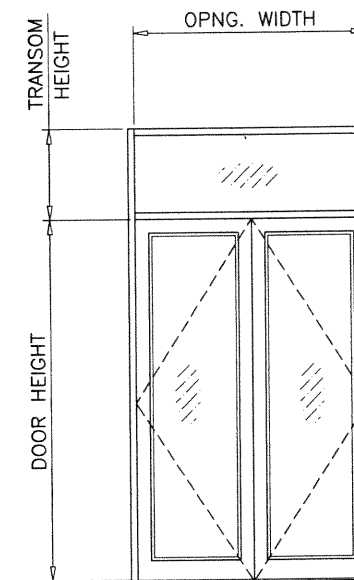
(O/X)

PRODUCT REVISED
as complying with the Florida
Building Code
NOA-No. 20-0828.08
Expiration Date 05/12/2022
By Ismael L. Chanik
Miami-Dade Product Control

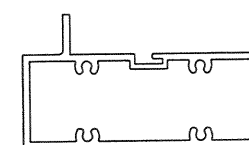
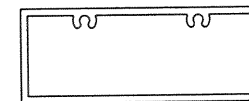
NOTE:
GLASS CAPACITIES ON THIS SHEET ARE
BASED ON ASTM E1300-09 (3 SEC. GUSTS)
AND FLORIDA BUILDING COMMISSION
DECLARATORY STATEMENT DCA05-DEC-219

DOUBLE ENTRANCE DOORS WITH TRANSOM							
GLASS TYPES 'A' & 'B'							
DESIGN LOAD CAPACITY							
NOMINAL DIMS.			WITHOUT REINF.		WITH REINF.		
OPNG. WIDTH INCHES	DOOR HEIGHT INCHES	TRANSOM HEIGHT INCHES	EXT. (+)	INT. (-)	EXT. (+)	INT. (-)	
60	80	24	100.0	120.0	100.0	120.0	
		30	100.0	120.0	100.0	120.0	
		36	100.0	120.0	100.0	120.0	
		42	85.7	102.9	85.7	102.9	
		48	75.0	90.0	75.0	90.0	
72	80	24	66.7	80.0	66.7	80.0	
		30	100.0	103.0	100.0	120.0	
		36	97.4	97.4	100.0	120.0	
		42	92.3	92.3	100.0	120.0	
		48	85.7	87.8	85.7	102.9	
84	80	24	75.0	83.7	75.0	90.0	
		30	74.9	74.9	100.0	120.0	
		36	70.8	70.8	100.0	120.0	
96"	80	24	67.1	67.1	100.0	120.0	
		30	56.8	56.8	100.0	110.0	
		36	53.7	53.7	100.0	104.0	
60	84	24	50.9	50.9	98.6	98.6	
		30	100.0	120.0	100.0	120.0	
		36	100.0	120.0	100.0	120.0	
		42	100.0	120.0	100.0	120.0	
		48	85.7	102.9	85.7	102.9	
72	84	24	75.0	90.0	75.0	90.0	
		30	66.7	80.0	66.7	80.0	
		36	99.2	99.2	100.0	120.0	
		42	94.0	94.0	100.0	120.0	
84	84	36	89.3	89.3	100.0	120.0	
		42	85.0	85.0	85.7	102.9	
		48	75.0	81.1	75.0	90.0	
		24	72.1	72.1	100.0	120.0	
96"	84	30	68.3	68.3	100.0	120.0	
		36	64.9	64.9	100.0	120.0	
		24	54.7	54.7	100.0	105.9	
60	96	30	51.8	51.8	100.0	100.4	
		36	49.2	49.2	95.3	95.3	
		24	100.0	120.0	100.0	120.0	
		30	100.0	120.0	100.0	120.0	
		36	100.0	118.2	100.0	120.0	
72	96	42	85.7	102.9	85.7	102.9	
		48	75.0	90.0	75.0	90.0	
		24	89.3	89.3	100.0	120.0	
		30	85.0	85.0	100.0	120.0	
84	96	36	81.1	81.1	100.0	120.0	
		42	77.6	77.6	85.7	102.9	
		48	74.4	74.4	75.0	90.0	
96"	96	24	64.9	64.9	100.0	120.0	
		30	61.8	61.8	100.0	118.6	
		36	59.0	59.0	100.0	113.2	
60	108	24	49.2	49.2	95.3	95.3	
		30	46.9	46.9	90.8	90.8	
		36	44.7	44.7	86.7	86.7	

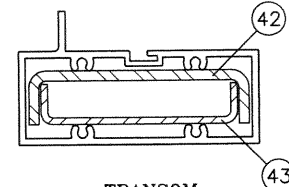
DOUBLE ENTRANCE DOORS WITH TRANSOM							
GLASS TYPES 'A' & 'B'							
DESIGN LOAD CAPACITY							
NOMINAL DIMS.			WITHOUT REINF.		WITH REINF.		
OPNG. WIDTH INCHES	DOOR HEIGHT INCHES	TRANSOM HEIGHT INCHES	EXT. (+)	INT. (-)	EXT. (+)	INT. (-)	
60	108	24	100.0	118.2	100.0	120.0	
		30	100.0	113.0	100.0	120.0	
		36	100.0	108.3	100.0	120.0	
		42	-	-	85.7	102.9	
72	108	24	81.1	81.1	100.0	120.0	
		30	77.6	77.6	100.0	120.0	
		36	74.4	74.4	100.0	120.0	
84	108	24	59.0	59.0	100.0	113.2	
		30	56.4	56.4	100.0	108.3	
		36	54.1	54.1	100.0	103.8	
96"	108	24	44.7	44.7	86.7	86.7	
		30	42.8	42.8	82.5	82.9	
		36	41.0	41.0	79.5	79.5	



(O/XX)

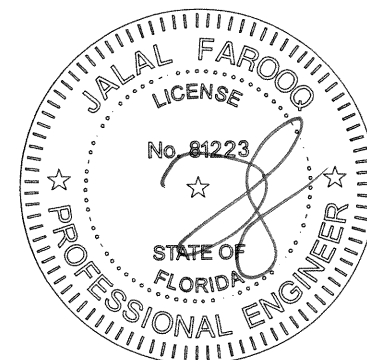


TRANSOM WITHOUT REINF.



TRANSOM WITH REINF.

OCT 28 2020



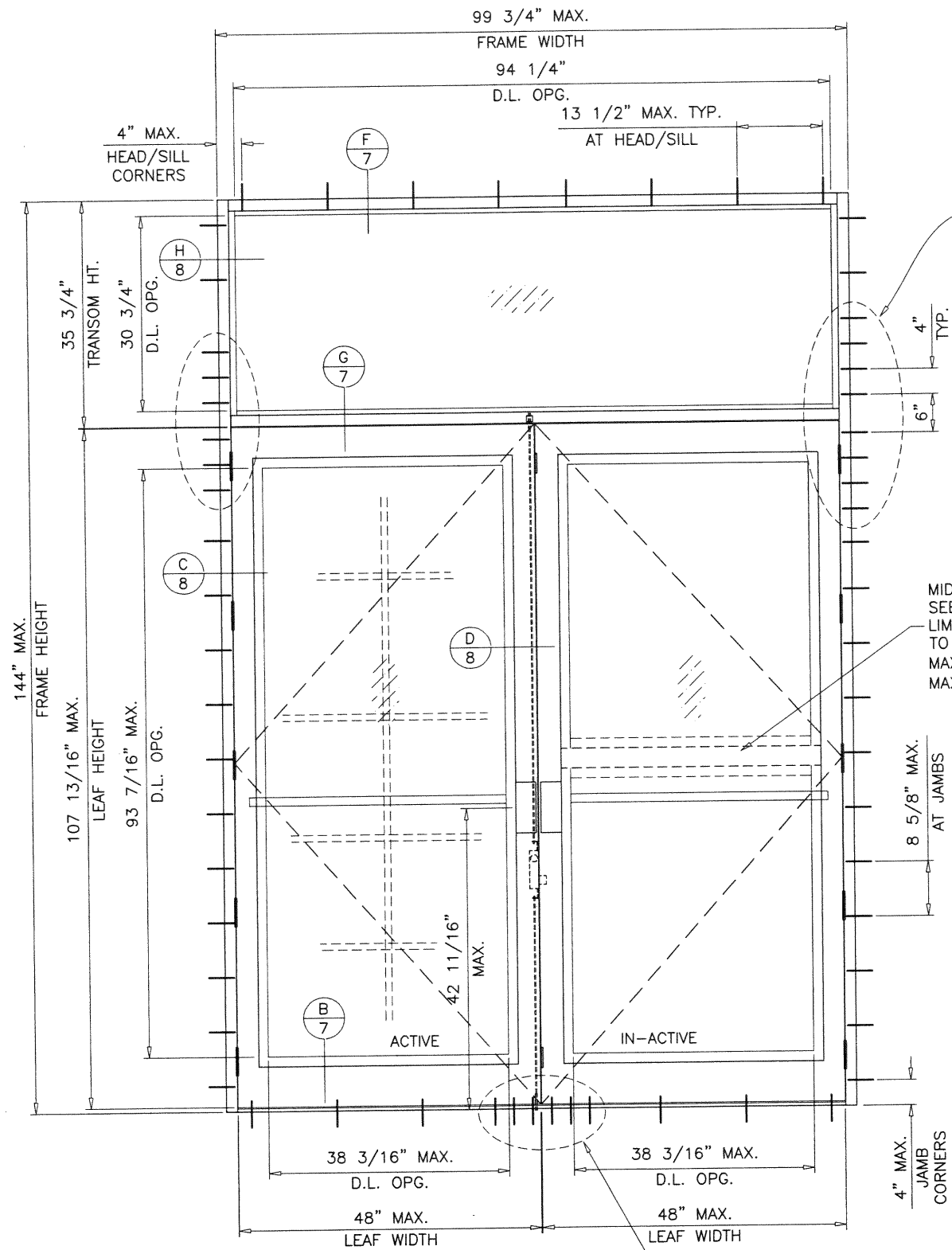
AL-FAROOQ CORPORATION
ENGINEERS & PRODUCT DEVELOPMENT
9360 SUNSET DRIVE, SUITE 220
MIAMI, FLORIDA 33173 (C.A.N. 3538)
TEL. (305) 264-8100 FAX. (305) 262-6978
COMP-ANL\W04-91SM

SERIES K2LM ALUM OUT-SWING ENTRANCE DOOR
Aldora Aluminum & Glass Products Inc.
4250 Coral Ridge Drive, Suite 101
Coral Springs, FL 33065
Tel. (954) 784-6900 Fax. (954) 784-6901

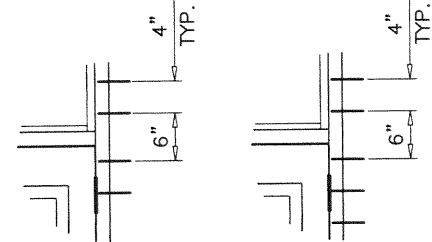
no	date	description
H	1.11.17	REV. PER PER COMMENTS
I	09.05.17	CHART REVISED
J	01.05.18	REV. PER PER COMMENTS
K	06.25.20	UPDATED TO 2020 FBC

date: 10-25-04
scale: 1/2"=1'-0"
dr. by: TARIQ
chk. by:

drawing no.
W04-91
sheet 3 of 11



SUBSTRATE	NO. OF ANCHORS AT TRANSOM ENDS	
	WITHOUT REINF.	WITH REINF.
WOOD	6	8
MASONRY	6	8
CONCRETE	4	4
METAL	4	5



MID-RAIL (OPTIONAL)
SEE SHEET 11.1
LIMIT MAX. LOADS
TO 75 PSF
MAX. LEAF WIDTH = 42"
MAX. DOOR HT. = 96"

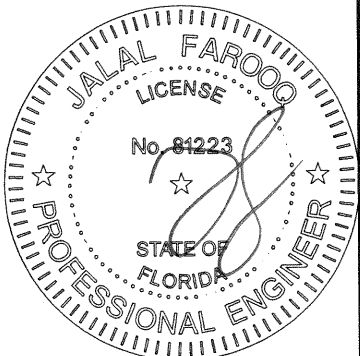
DLO WIDTH (TRANSOM) = DOOR FRAME WIDTH - 5.50"
DLO HEIGHT (TRANSOM) = TRANSOM HEIGHT - 5.00"

(O/XX)
TYPICAL ELEVATION
(6) ANCHORS TYPE 'B'
AT MTG. STILE ENDS
AT 3" O.C.

NOTE:
FOR DOORS CAPACITY SEE SHEET 2.
FOR HORIZONTAL MULLION (TRANSOM BAR) CAPACITY SEE SHEET 3.
LOWER VALUES FROM DOORS OR HORIZONTAL MULLION (TRANSOM BAR) CHART
WILL APPLY TO ENTIRE SYSTEM.

PRODUCT REVISED
as complying with the Florida
Building Code
NOA-No. 20-0828.08
Expiration Date 05/12/2022
By *Ishag I. Chank*
Miami-Dade Product Control

OCT 20 2020

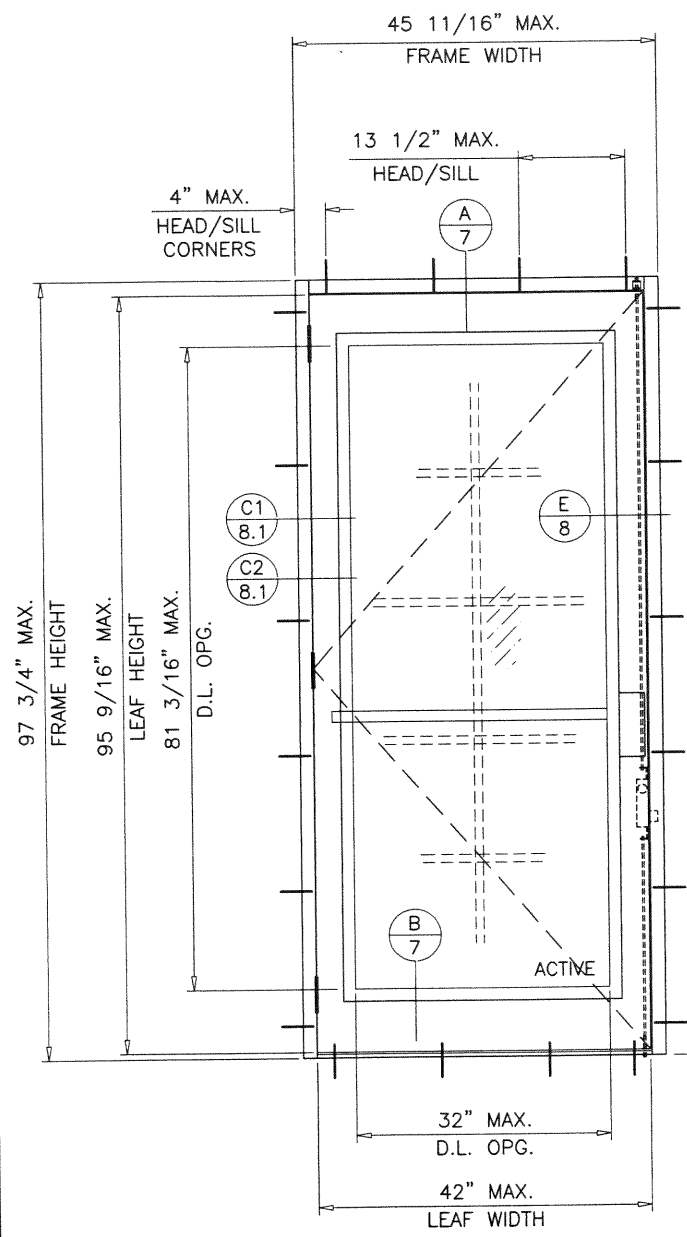


AL-FAROOQ CORPORATION
ENGINEERS & PRODUCT DEVELOPMENT
9360 SUNSET DRIVE, SUITE 220 (C.A.N. 3538)
MIAMI, FLORIDA 33173
TEL. (305) 264-8100 FAX. (305) 262-6978
COMP-ANL\W04-91SM

SERIES K2LM ALUM OUT-SWING ENTRANCE DOOR
Aldora Aluminum & Glass Products Inc.
4250 Coral Ridge Drive, Suite 101
Coral Springs, FL 33065
Tel. (954) 784-6900 Fax. (954) 784-6901

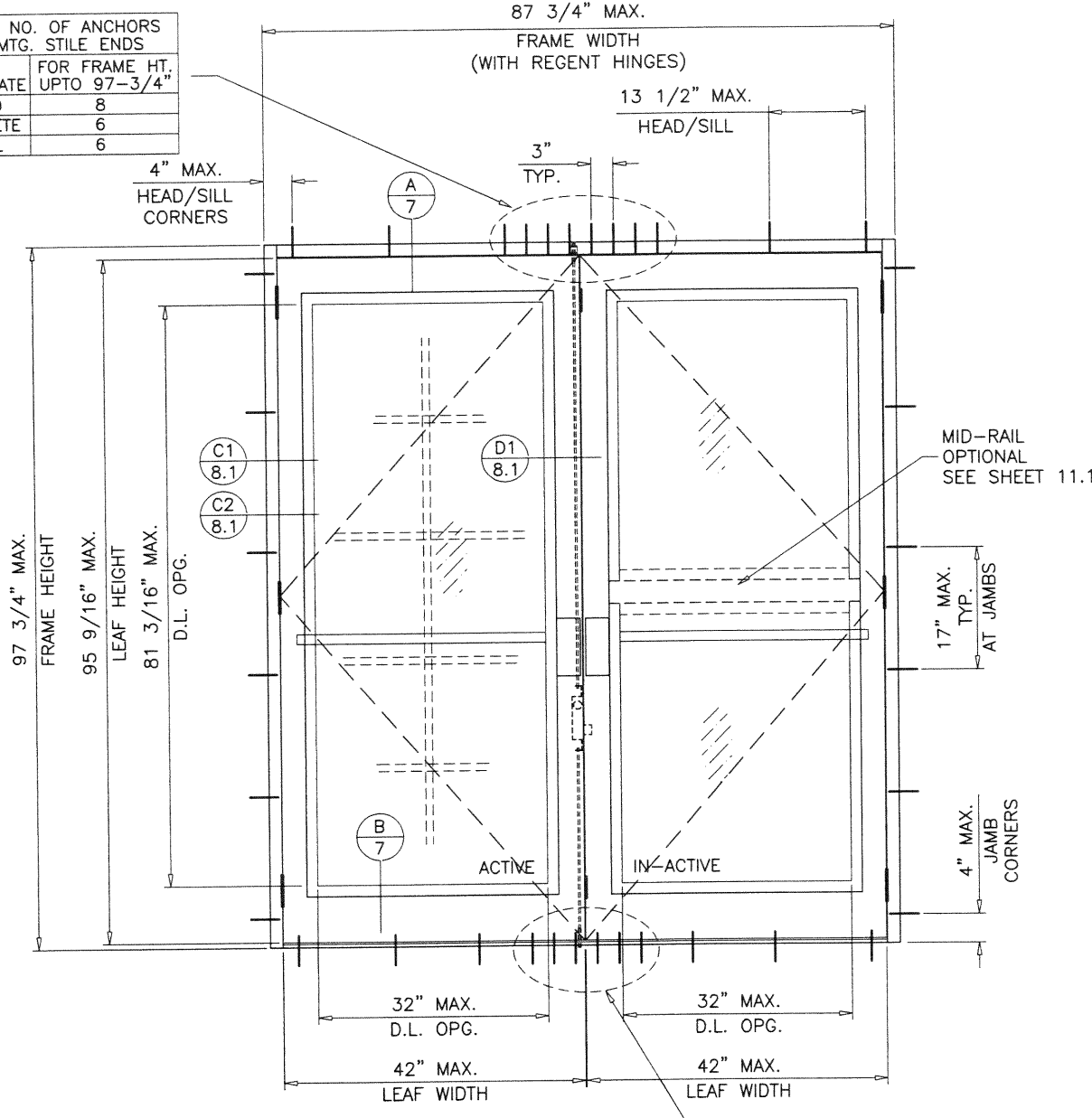
no	date	description
H	1.1.17	REV. PER RER COMMENTS
I	09.05.17	REV. PER RER COMMENTS
J	01.05.18	REV. PER RER COMMENTS
K	06.25.20	UPDATED TO 2020 FBC

date: 10-25-04
scale: 1/2"=1'-0"
dr. by: TARIQ
chk. by:
drawing no.
W04-91
sheet 4 of 11



(X)
TYPICAL ELEVATION

TOTAL NO. OF ANCHORS AT MTG. STILE ENDS	
SUBSTRATE	FOR FRAME HT. UPTO 97-3/4"
WOOD	8
CONCRETE	6
METAL	6



(XX)
TYPICAL ELEVATION

GLASS TYPE 'C' ONLY
 MAXIMUM DESIGN LOAD RATING = + 75.0 PSF
 (FOR SIZES SHOWN ON THIS SHEET ONLY) - 75.0 PSF

FRAME WIDTH = DOOR OPNG. WIDTH + 3.500

LEAF HEIGHT = DOOR FRAME HEIGHT - 2.188"

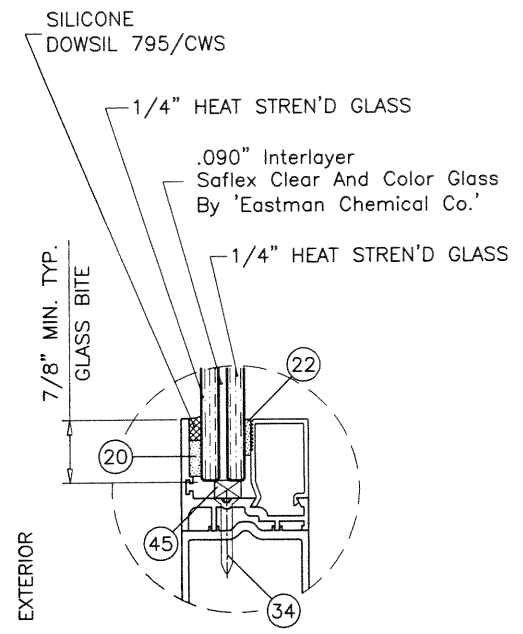
LEAF WIDTH (XX DOORS) = (DOOR OPNG. WIDTH - .250)/2 REGENT HINGES
 = (DOOR OPNG. WIDTH - .750)/2 ALUMINUM HINGES

LEAF WIDTH (X DOORS) = DOOR OPNG. WIDTH - .187 REGENT HINGES
 = DOOR OPNG. WIDTH - .437 ALUMINUM HINGES

GLASS DLO HEIGHT = LEAF HEIGHT - 14.375

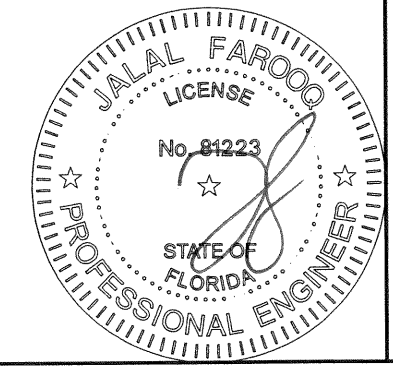
GLASS DLO WIDTH = LEAF WIDTH - 10.000

PRODUCT REVISED
 as complying with the Florida Building Code
 NOA-No. 20-0828.08
 Expiration Date 05/12/2022
 By Ishag I. Chank
 Miami-Dade Product Control



GLASS TYPE 'C'
GLAZING DETAIL DOOR LEAF

OCT 20 2020



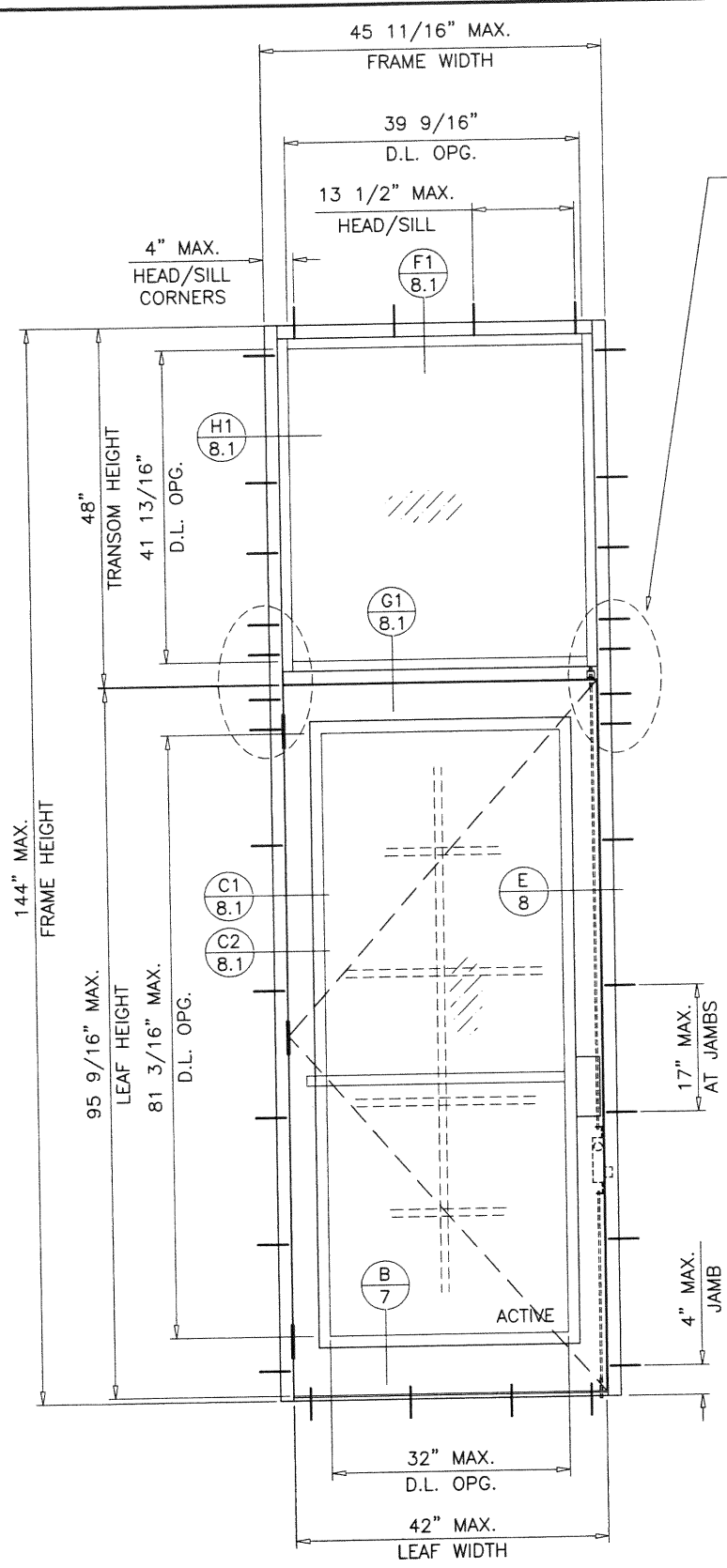
af c
AL-FAROOQ CORPORATION
 ENGINEERS & PRODUCT DEVELOPMENT
 9360 SUNSET DRIVE, SUITE 220
 MIAMI, FLORIDA 33173 (C.A.N. 3538)
 TEL. (305) 264-8100 FAX. (305) 262-6978
 COMP-ANL\W04-91SM

SERIES K2LM ALUM OUT-SWING ENTRANCE DOOR
Aldora Aluminum & Glass Products Inc.
 4250 Coral Ridge Drive, Suite 101
 Coral Springs, FL. 33065
 Tel. (954) 784-6900 Fax. (954) 784-6901

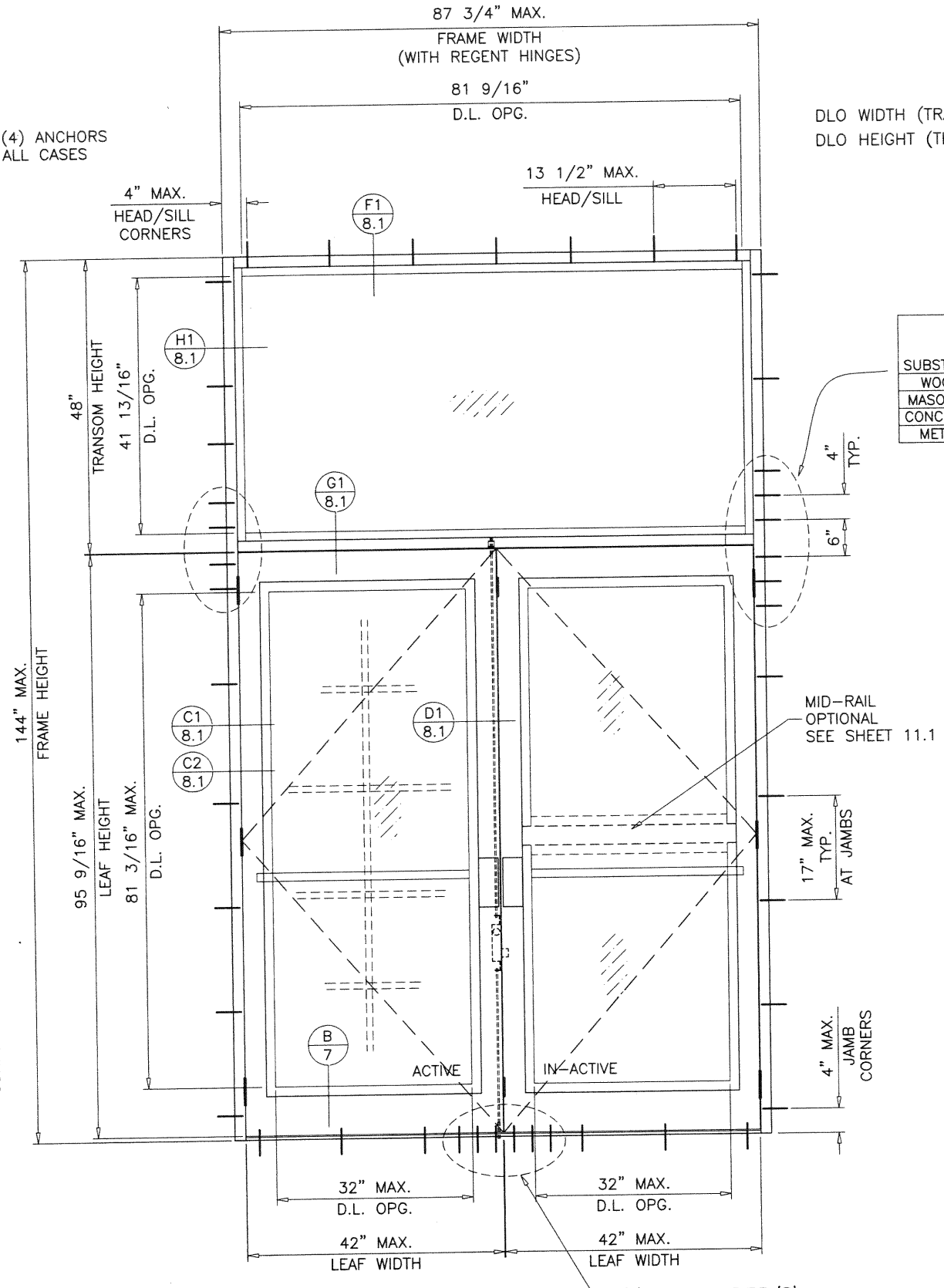
no	date	description
H	1.11.17	REV. PER RER COMMENTS
I	09.05.17	NO CHANGE THIS SHEET
J	01.05.18	REV. PER RER COMMENTS
K	06.25.20	UPDATED TO 2020 FBC

date: 10-25-04
 scale: 1/2"=1'-0"
 dr. by: TARIQ
 chk. by:

drawing no.
W04-91
 sheet 4.1 of 11



(O / X)
TYPICAL ELEVATION



(O / XX)
TYPICAL ELEVATION

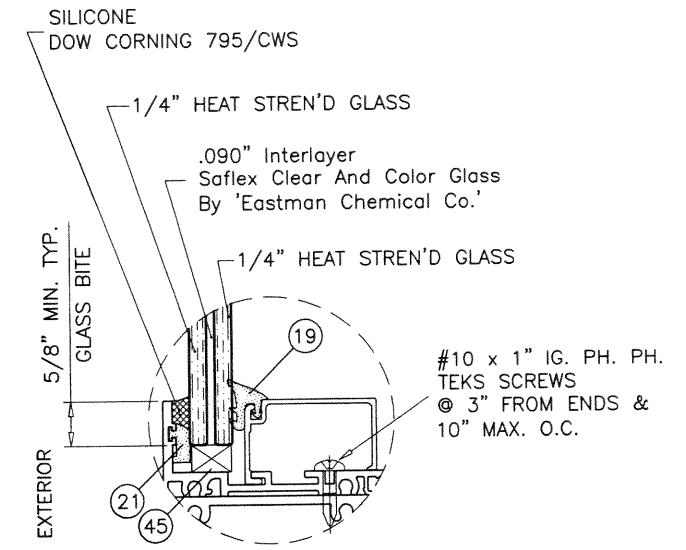
NOTE:
FOR DOORS CAPACITY SEE SHEET 4.1.
FOR HORIZONTAL MULLION (TRANSOM BAR) CAPACITY SEE CHART ABOVE.
LOWER VALUES FROM DOORS OR HORIZONTAL MULLION (TRANSOM BAR) CHART
WILL APPLY TO ENTIRE SYSTEM.

DLO WIDTH (TRANSOM) = DOOR FRAME WIDTH - 6.125"
DLO HEIGHT (TRANSOM) = TRANSOM HEIGHT - 6.125"

SUBSTRATE	NO. OF ANCHORS AT TRANSOM ENDS WITHOUT REINF.
WOOD	6
MASONRY	6
CONCRETE	4
METAL	4

GLASS TYPE 'C' ONLY
DOUBLE ENTRANCE DOORS WITH TRANSOM
DESIGN LOAD CAPACITY

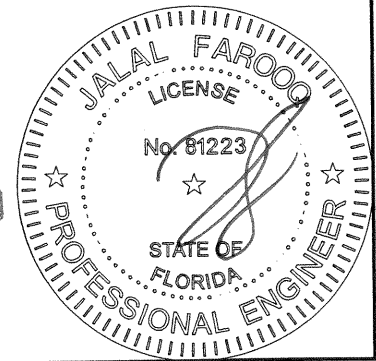
NOMINAL DIMS.			WITHOUT REINF.	
OPNG. WIDTH INCHES	DOOR HEIGHT INCHES	TRANSOM HEIGHT INCHES	EXT. (+)	INT. (-)
82	96	42	70.5	70.5
		48	67.6	67.6
84-1/4	96	42	66.7	66.7
		48	63.9	63.9



GLASS TYPE 'C'
GLAZING DETAIL TRANSOM

PRODUCT REVISED
as complying with the Florida Building Code
NOA-No. 20-0828.08
Expiration Date 05/12/2022
By *Ishtay I. Zhand*
Miami-Dade Product Control

OCT 20 2020



AL-FAROOQ CORPORATION
ENGINEERS & PRODUCT DEVELOPMENT
9360 SUNSET DRIVE, SUITE 220
MIAMI, FLORIDA 33173 (C.A.N. 3538)
TEL. (305) 264-8100 FAX. (305) 262-6978
COMP-ANL\W04-91SM

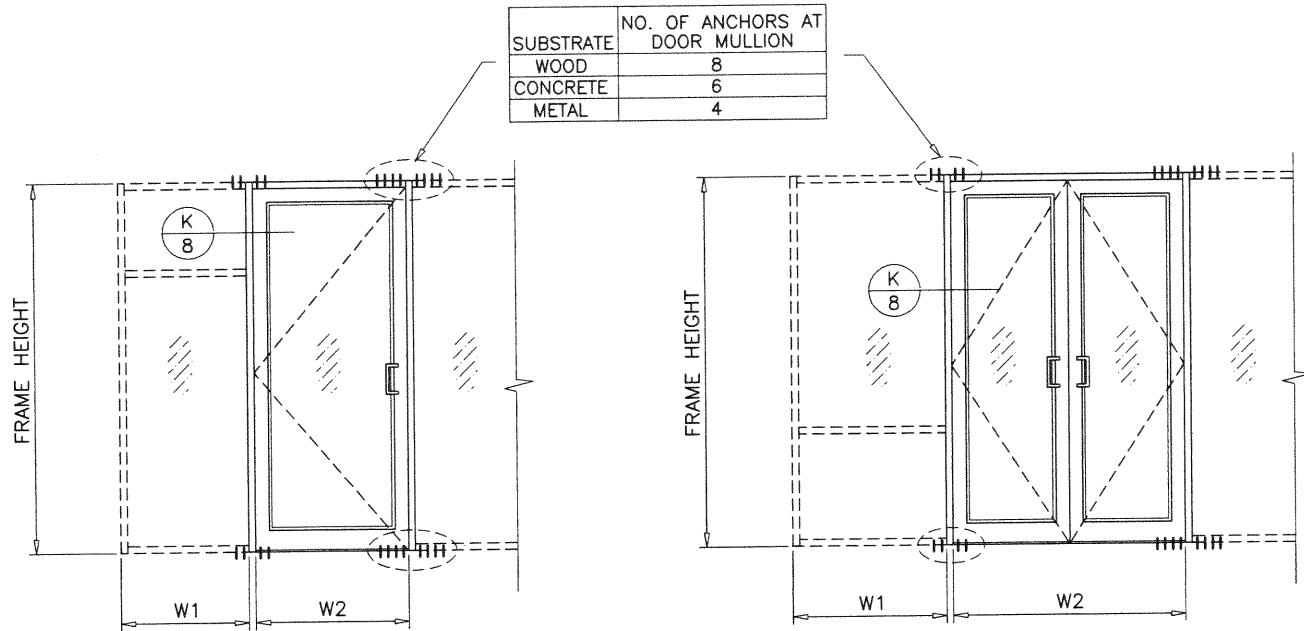
SERIES K2LM ALUM OUT-SWING ENTRANCE DOOR
Aldora Aluminum & Glass Products Inc.
4250 Coral Ridge Drive, Suite 101
Coral Springs, FL. 33065
Tel. (954) 784-6900 Fax. (954) 784-6901

no	date	by	description
H	1.11.17		REV. PER RER COMMENTS
I	09.05.17		CHART REVISED
J	01.05.18		REV. PER RER COMMENTS
K	06.25.20		UPDATED TO 2020 FBC

date: 10-25-04
scale: 1/2" = 1'-0"
dr. by: TARIQ
chk. by:

drawing no.
W04-91
sheet 4.2 of 11

DOOR MULLION LOAD CAPACITY		
NOMINAL DIMS.		LOADS-PSF
WIDTH (W)	FRAME HEIGHT	EXT.(+) & INT.(-)
24"	80"	100.0
30"		100.0
36"		100.0
42"		100.0
48"		100.0
54"		100.0
60"	100.0	100.0
24"	84"	100.0
30"		100.0
36"		100.0
42"		100.0
48"		100.0
54"		100.0
60"	100.0	100.0
24"	90"	100.0
30"		100.0
36"		100.0
42"		100.0
48"		100.0
54"		100.0
24"	96"	100.0
30"		100.0
36"		100.0
42"		100.0
48"		100.0
48"		100.0
24"	102"	100.0
30"		100.0
36"		100.0
42"		100.0
48"		100.0
48"		100.0
24"	108"	100.0
30"		100.0
36"		100.0
42"		100.0
48"		100.0
48"		100.0
24"	114"	100.0
30"		100.0
36"		100.0
42"		100.0
48"		100.0
48"		100.0
24"	120"	100.0
30"		100.0
36"		100.0
42"		100.0
48"		100.0
48"		100.0



SUBSTRATE	NO. OF ANCHORS AT DOOR MULLION
WOOD	8
CONCRETE	6
METAL	4

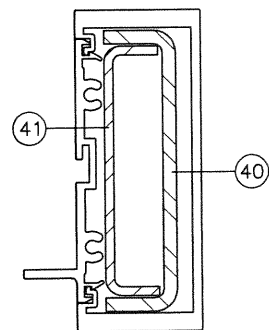
$$\text{WIDTH (W)} = \frac{W1 + W2}{2}$$

$$\text{WIDTH (W)} = \frac{W1}{2} + \frac{W2}{4}$$

PRODUCT REVISED
 as complying with the Florida
 Building Code
 NOA-No. 20-0828.08

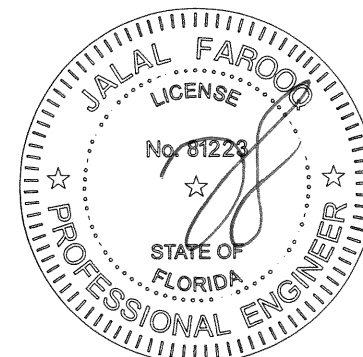
Expiration Date 05/12/2022

By Ishag I. Zhanik
 Miami-Dade Product Control



DOOR MULLION

OCT 28 2020



af c
AL-FAROOQ CORPORATION
 ENGINEERS & PRODUCT DEVELOPMENT
 9360 SUNSET DRIVE, SUITE 220
 MIAMI, FLORIDA 33173 (C.A.N. 3538)
 TEL. (305) 264-8100 FAX. (305) 262-6978
 COMP-ANL\W04-91SM

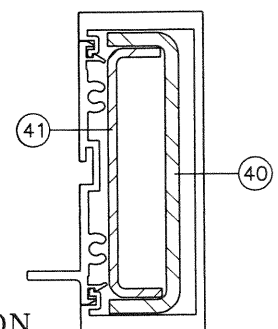
SERIES K2LM ALUM OUT-SWING ENTRANCE DOOR
Aldora Aluminum & Glass Products Inc.
 4250 Coral Ridge Drive, Suite 101
 Coral Springs, FL. 33065
 Tel. (954) 784-6900 Fax. (954) 784-6901

no.	date	by	description
H	1.11.17		REV. PER RER COMMENTS
I	09.05.17		REV. PER RER COMMENTS
J	01.05.18		NO CHANGE THIS SHEET
K	06.25.20		UPDATED TO 2020 FBC

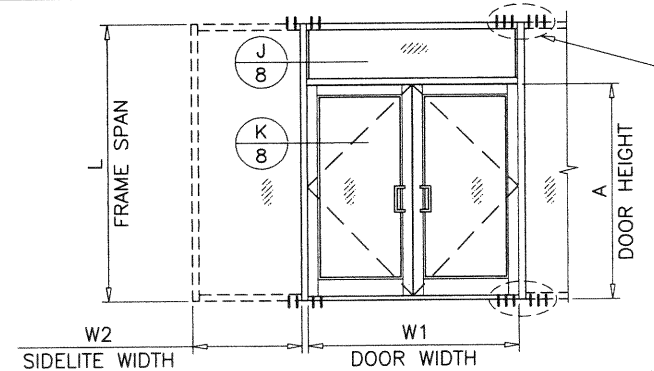
date: 10-25-04
 scale: 1/2"=1'-0"
 dr. by: TARIO
 chk. by:

drawing no.
W04-91
 sheet 5 of 11

DOOR MULLION LOAD CAPACITY					DOOR MULLION LOAD CAPACITY					DOOR MULLION LOAD CAPACITY					DOOR MULLION LOAD CAPACITY												
NOMINAL DIMS.				LOADS-PSF	NOMINAL DIMS.				LOADS-PSF	NOMINAL DIMS.				LOADS-PSF	NOMINAL DIMS.				LOADS-PSF								
DOOR WIDTH W1	SIDELITE WIDTH W2	DOOR HEIGHT A	FRAME SPAN L	EXT. (+) INT. (-)	DOOR WIDTH W1	SIDELITE WIDTH W2	DOOR HEIGHT A	FRAME SPAN L	EXT. (+) INT. (-)	DOOR WIDTH W1	SIDELITE WIDTH W2	DOOR HEIGHT A	FRAME SPAN L	EXT. (+) INT. (-)	DOOR WIDTH W1	SIDELITE WIDTH W2	DOOR HEIGHT A	FRAME SPAN L	EXT. (+) INT. (-)								
60"	30"	80"	108"	100.0	60"	30"	84"	108"	100.0	60"	30"	96"	108"	100.0	60"	30"	108"	114"	100.0								
	33"			100.0		33"			100.0		33"			100.0		33"			100.0								
	39"			100.0		39"			100.0		39"			100.0		39"			100.0								
	42"			100.0		42"			100.0		42"			100.0		42"			100.0								
72"	30"			100.0	72"	30"			100.0	72"	30"			100.0	72"	30"			72"	30"	100.0	72"	30"	72"	30"	72"	100.0
	33"			100.0		33"			100.0		33"			100.0		33"				100.0	33"		100.0				
	39"			100.0		39"			100.0		39"			100.0		39"				100.0	39"		100.0				
	42"			100.0		42"			100.0		42"			100.0		42"				100.0	42"		100.0				
84"	30"			100.0	84"	30"			100.0	84"	30"			100.0	84"	30"			84"	30"	100.0	84"	30"	84"	30"	84"	100.0
	33"			100.0		33"			100.0		33"			100.0		33"				100.0	33"		100.0				
	39"			97.6		39"			100.0		39"			97.8		39"				100.0	39"		100.0				
	42"			95.0		42"			97.8		42"			99.4		42"				100.0	42"		100.0				
96"	30"	96.2	96"	30"	99.4	96"	30"	99.4	96"	30"	96"	30"	99.4	96"	30"	96"	30"	96"	100.0								
	33"	93.7		33"	96.8		33"	96.8		33"		96.8	33"		96.8												
	39"	89.2		39"	91.9		39"	91.9		39"		91.9	39"		91.9												
	42"	87.1		42"	89.7		42"	89.7		42"		89.7	42"		89.7												
60"	30"	80"	114"	100.0	60"	30"	84"	114"	100.0	60"	30"	96"	114"	100.0	60"	30"	108"	120"	100.0								
	33"			100.0		33"			100.0		33"			100.0		33"			100.0	33"	100.0						
	39"			100.0		39"			100.0		39"			100.0		39"			100.0	39"	100.0						
	42"			100.0		42"			100.0		42"			100.0		42"			100.0	42"	100.0						
72"	30"			100.0	72"	30"			100.0	72"	30"			100.0	72"	30"			72"	30"	100.0	72"	30"	72"	30"	72"	100.0
	33"			100.0		33"			100.0		33"			100.0		33"				100.0	33"		100.0				
	39"			94.3		39"			96.4		39"			96.4		39"				96.4	39"		96.4				
	42"			91.7		42"			93.6		42"			93.6		42"				93.6	42"		93.6				
84"	30"			92.6	84"	30"			94.8	84"	30"			94.8	84"	30"			84"	30"	94.8	84"	30"	84"	30"	84"	100.0
	33"			90.0		33"			92.2		33"			92.2		33"				92.2	33"		92.2				
	39"			85.4		39"			87.3		39"			87.3		39"				87.3	39"		87.3				
	42"			83.2		42"			85.1		42"			85.1		42"				85.1	42"		85.1				
96"	30"	83.9	96"	30"	86.1	96"	30"	86.1	96"	30"	96"	30"	86.1	96"	30"	96"	30"	96"	100.0								
	33"	81.8		33"	83.9		33"	83.9		33"		83.9	33"		83.9												
	39"	78.0		39"	79.8		39"	79.8		39"		79.8	39"		79.8												
	42"	78.0		42"	79.8		42"	79.8		42"		79.8	42"		79.8												
60"	30"	80"	120"	100.0	60"	30"	84"	120"	100.0	60"	30"	96"	120"	100.0	60"	30"	108"	120"	100.0								
	33"			99.8		33"			100.0		33"			100.0		33"			100.0	33"	100.0						
	39"			93.6		39"			95.0		39"			95.0		39"			95.0	39"	95.0						
	42"			90.7		42"			92.1		42"			92.1		42"			92.1	42"	92.1						
72"	30"			91.3	72"	30"			93.0	72"	30"			93.0	72"	30"			72"	30"	93.0	72"	30"	72"	30"	72"	100.0
	33"			88.6		33"			90.2		33"			90.2		33"				90.2	33"		90.2				
	39"			83.7		39"			85.1		39"			85.1		39"				85.1	39"		85.1				
	42"			81.4		42"			82.7		42"			82.7		42"				82.7	42"		82.7				
84"	30"			81.9	84"	30"			83.4	84"	30"			83.4	84"	30"			84"	30"	83.4	84"	30"	84"	30"	84"	100.0
	33"			79.7		33"			81.2		33"			81.2		33"				81.2	33"		81.2				
	39"			75.6		39"			77.0		39"			77.0		39"				77.0	39"		77.0				
	42"			73.8		42"			75.0		42"			75.0		42"				75.0	42"		75.0				
96"	30"	74.2	96"	30"	75.7	96"	30"	75.7	96"	30"	96"	30"	75.7	96"	30"	96"	30"	96"	100.0								
	33"	72.4		33"	73.8		33"	73.8		33"		73.8	33"		73.8												
	39"	72.4		39"	73.8		39"	73.8		39"		73.8	39"		73.8												
	42"	72.4		42"	73.8		42"	73.8		42"		73.8	42"		73.8												



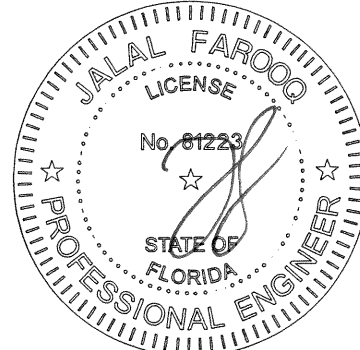
DOOR MULLION



SUBSTRATE	NO. OF ANCHORS AT DOOR MULLION
WOOD	12
CONCRETE	8
METAL	6

PRODUCT REVISED
as complying with the Florida
Building Code
NOA-No. 20-0828.08
Expiration Date 05/12/2022
By *Shay L. Chank*
Miami-Dade Product Control

OCT 28 2020

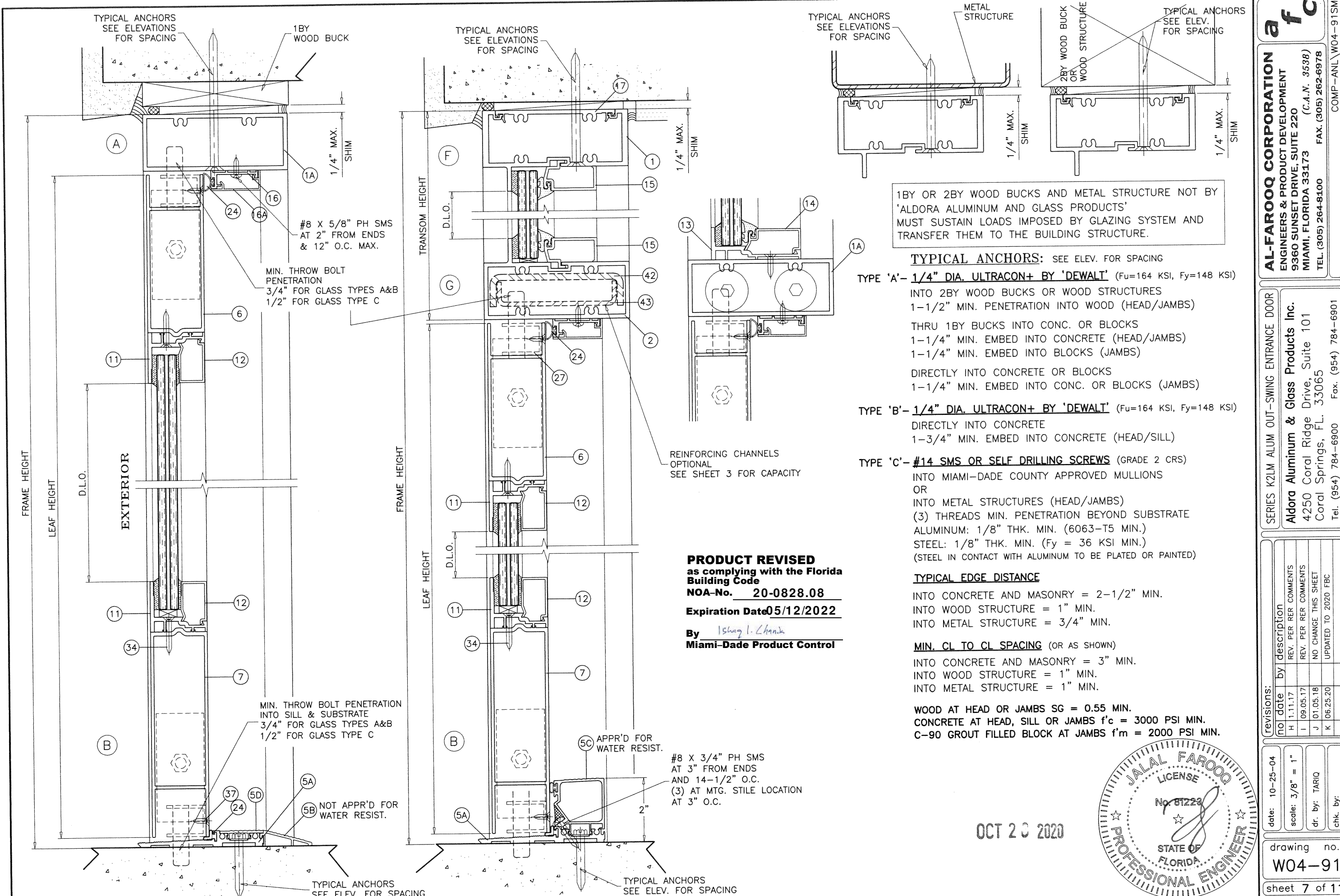


af c
AL-FAROOQ CORPORATION
ENGINEERS & PRODUCT DEVELOPMENT
9360 SUNSET DRIVE, SUITE 220
MIAMI, FLORIDA 33173 (C.A.N. 3538)
TEL. (305) 264-8100 FAX. (305) 262-6978
COMP-ANL\W04-91SM

SERIES K2LM ALUM OUT-SWING ENTRANCE DOOR
Aldora Aluminum & Glass Products Inc.
4250 Coral Ridge Drive, Suite 101
Coral Springs, FL. 33065
Tel. (954) 784-6900 Fax. (954) 784-6901

no	date	description
H	1.11.17	REV. PER RER COMMENTS
I	09.05.17	REV. PER RER COMMENTS
J	01.05.18	NO CHANGE THIS SHEET
K	06.25.20	UPDATED TO 2020 FBC

date: 10-25-04
scale: 1/2"=1'-0"
dr. by: TARIQ
chk. by:
drawing no. **W04-91**
sheet 6 of 11



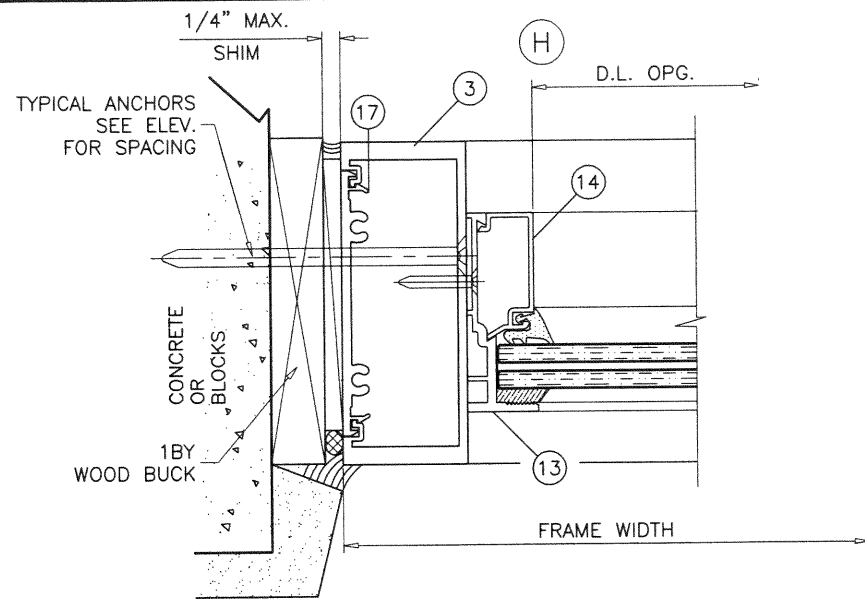
af c
AL-FAROOQ CORPORATION
 ENGINEERS & PRODUCT DEVELOPMENT
 9360 SUNSET DRIVE, SUITE 220
 MIAMI, FLORIDA 33173 (C.A.N. 3598)
 TEL. (305) 264-8100 FAX. (305) 262-6978
 COMP-ANL\W04-91SM

SERIES K2LM ALUM OUT-SWING ENTRANCE DOOR
Aldora Aluminum & Glass Products Inc.
 4250 Coral Ridge Drive, Suite 101
 Coral Springs, FL 33065
 Tel. (954) 784-6900 Fax. (954) 784-6901

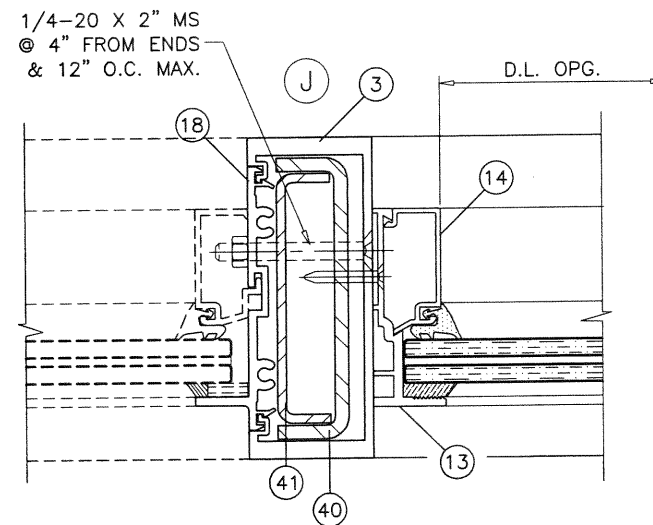
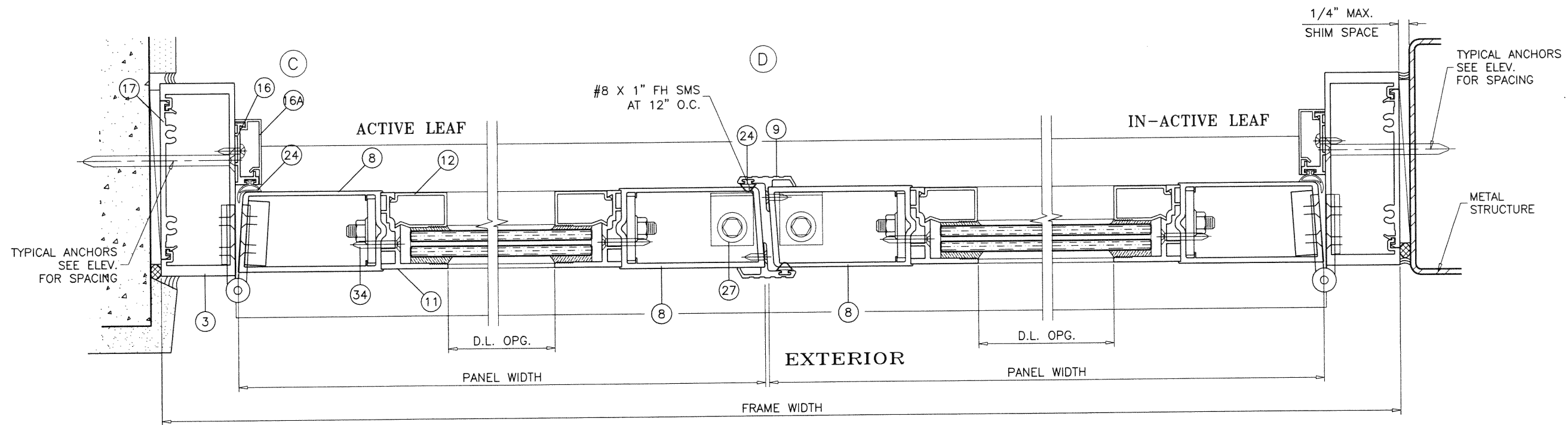
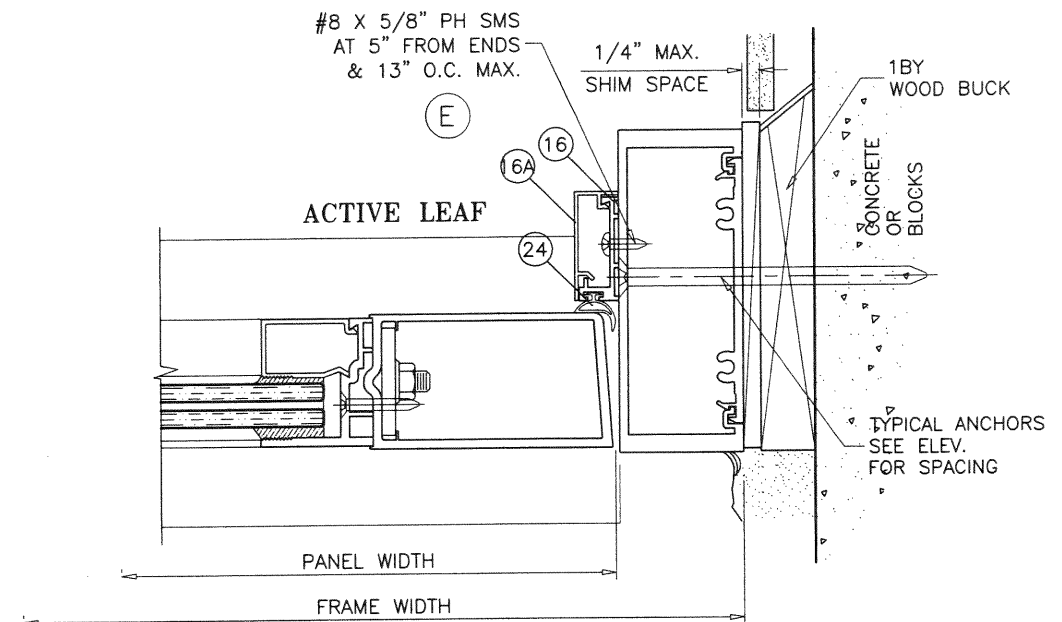
revisions:		no.	date	description
H	1.11.17	1	REV. PER RER COMMENTS	
I	09.05.17	1	REV. PER RER COMMENTS	
J	01.05.18	1	NO CHANGE THIS SHEET	
K	06.25.20	1	UPDATED TO 2020 FBC	

date:	10-29-04
scale:	3/8" = 1"
dr. by:	TARIQ
chk. by:	

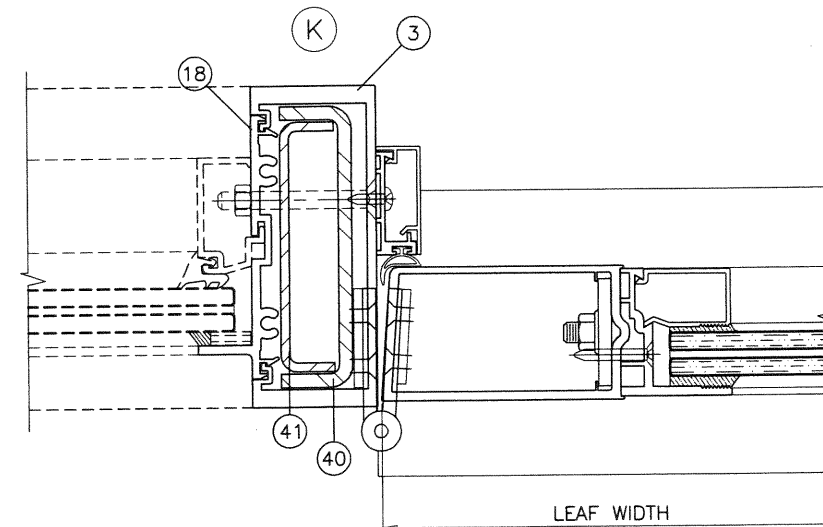
drawing no.	W04-91
sheet	7 of 11



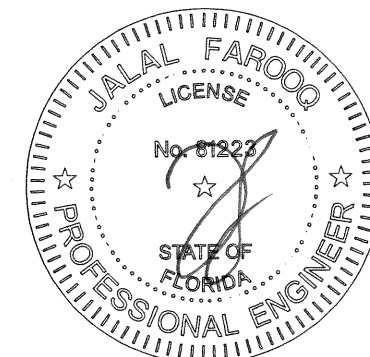
PRODUCT REVISED
 as complying with the Florida
 Building Code
 NOA-No. 20-0828.08
 Expiration Date 05/12/2022
 By *Shay L. Chandra*
 Miami-Dade Product Control



MIAMI-DADE COUNTY APPROVED
 LARGE MISSILE IMPACT RESISTANT SMI-175
 STOREFRONT SYSTEM, SEE SEPARATE
 'ALDORA ALUM & GLASS PRODUCTS'
 NOA FOR DOOR MULLION CAPACITY



OCT 28 2020

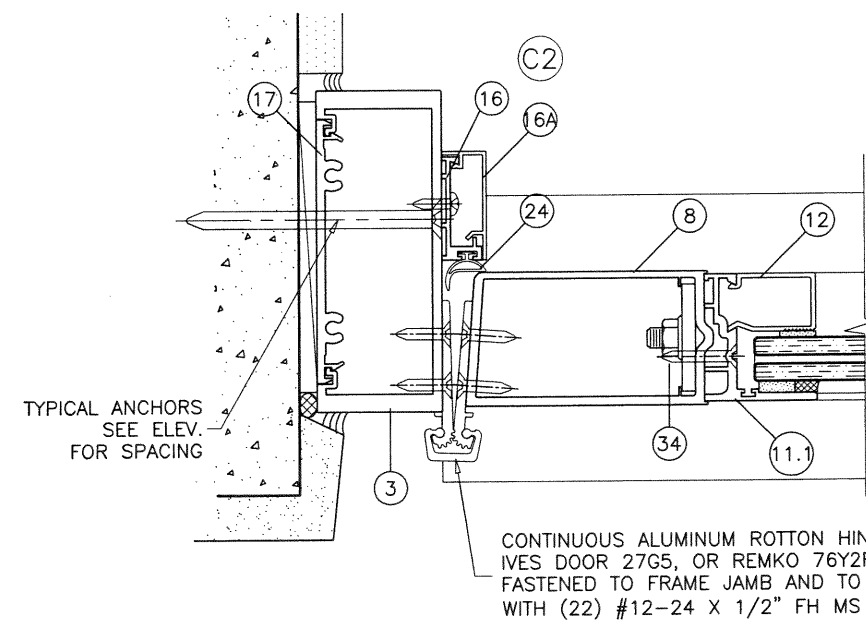
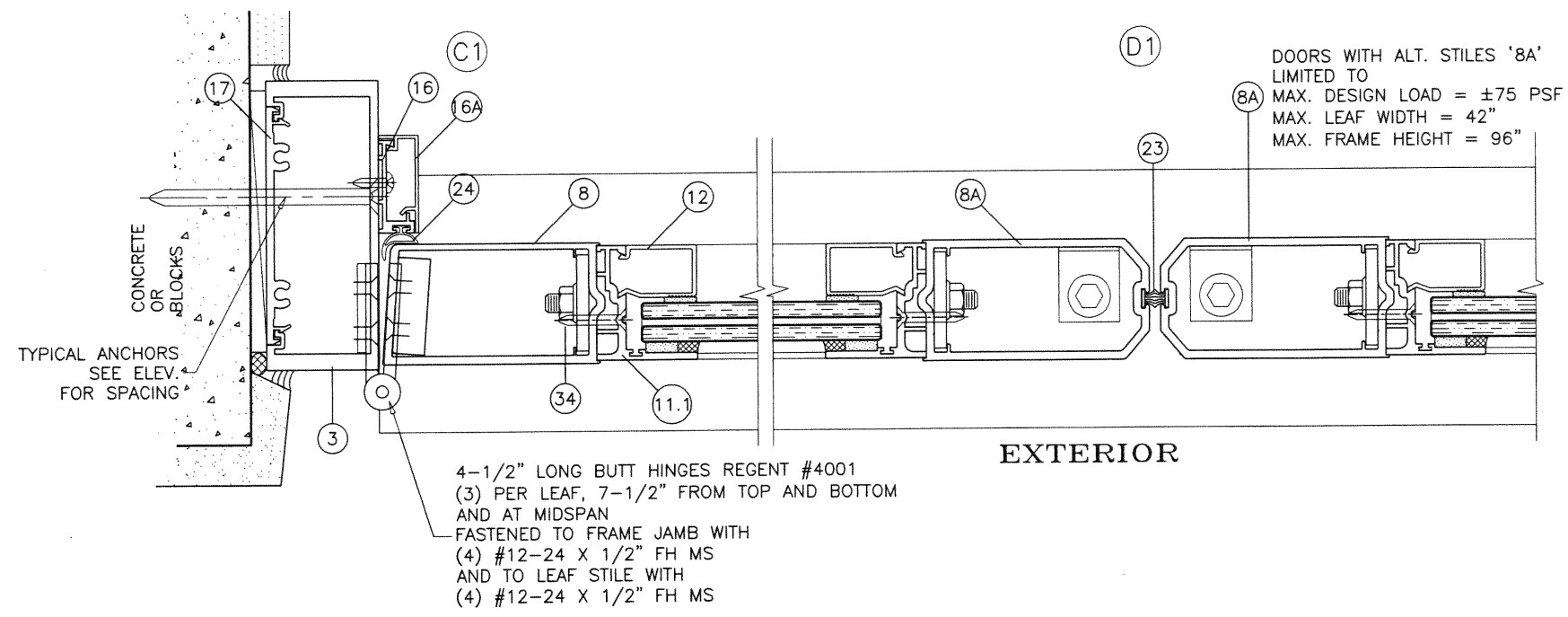
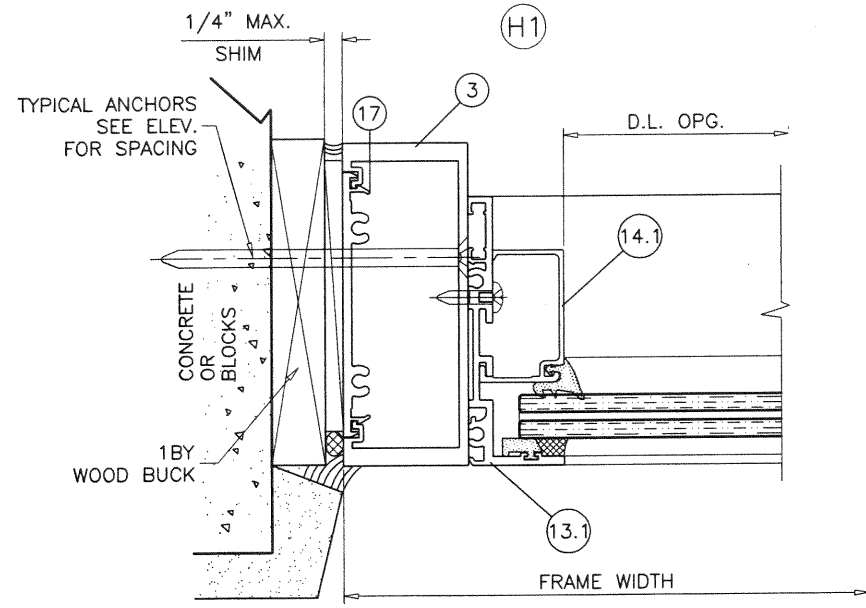
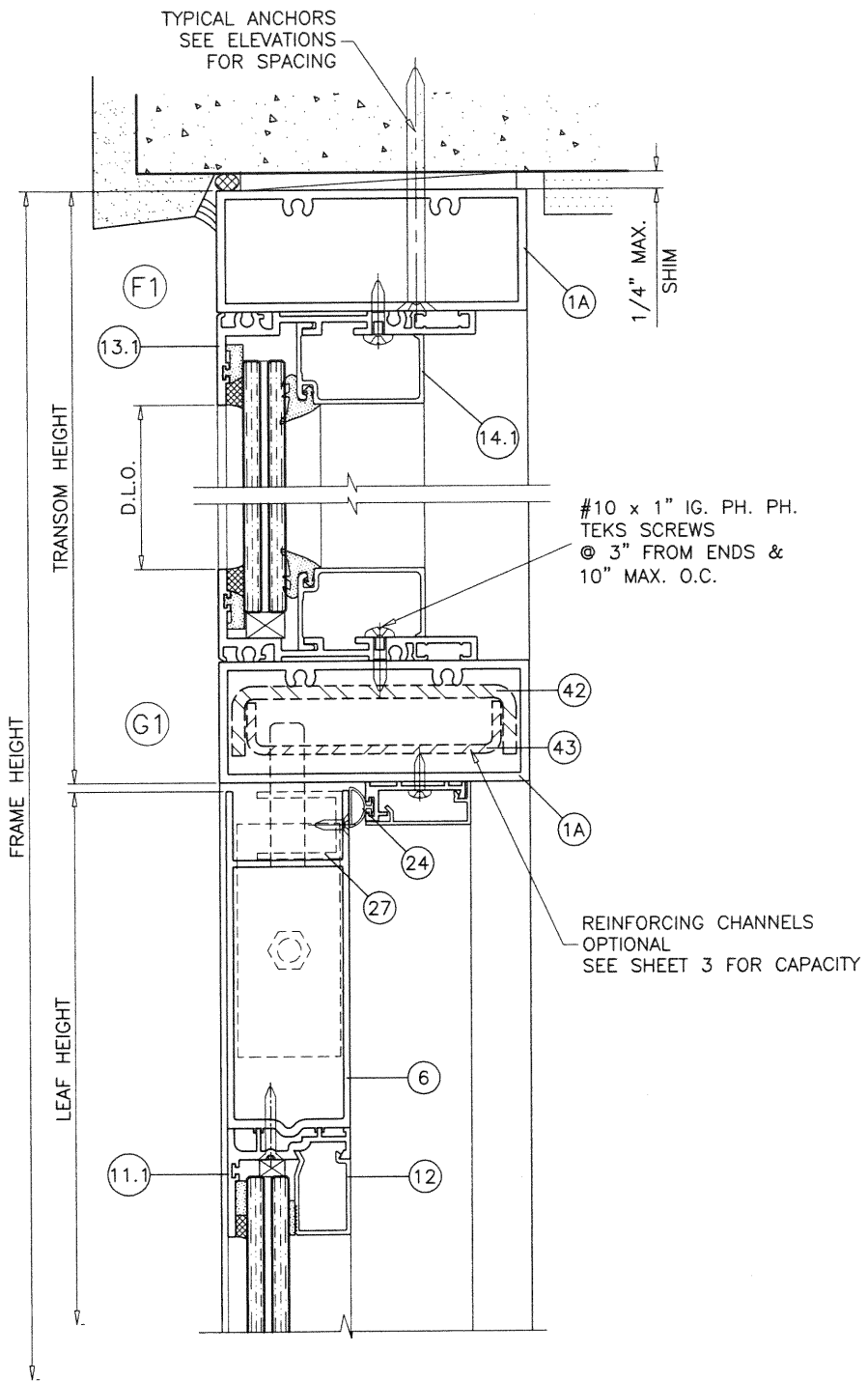


af c
AL-FAROOQ CORPORATION
 ENGINEERS & PRODUCT DEVELOPMENT
 9360 SUNSET DRIVE, SUITE 220
 MIAMI, FLORIDA 33173 (C.A.N. 3538)
 TEL. (305) 264-8100 FAX. (305) 262-6978
 COMP-ANL\W04-91SM

SERIES K2LM ALUM OUT-SWING ENTRANCE DOOR
Aldora Aluminum & Glass Products Inc.
 4250 Coral Ridge Drive, Suite 101
 Coral Springs, FL. 33065
 Tel. (954) 784-6900 Fax. (954) 784-6901

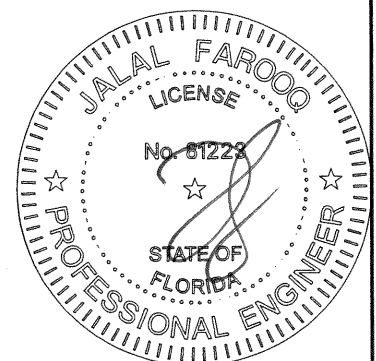
no.	date	by	description
H	1.11.17	REV. PER RER COMMENTS	
I	09.05.17	REV. PER RER COMMENTS	
J	01.05.18	NO CHANGE THIS SHEET	
K	06.25.20	UPDATED TO 2020 FBC	

date: 10-25-04
 scale: 3/8" = 1"
 dr. by: TARIQ
 chk. by:
 drawing no. W04-91
 sheet 8 of 11



PRODUCT REVISED
 as complying with the Florida
 Building Code
 NOA-No. 20-0828.08
 Expiration Date 05/12/2022
 By Shay L. Chan
 Miami-Dade Product Control

OCT 28 2020



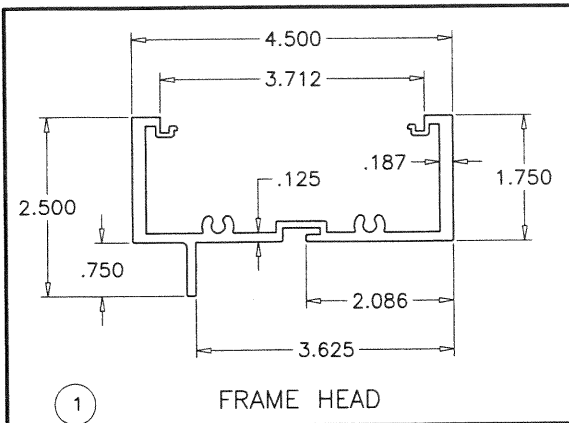
af c
AL-FAROOQ CORPORATION
 ENGINEERS & PRODUCT DEVELOPMENT
 9360 SUNSET DRIVE, SUITE 220
 MIAMI, FLORIDA 33173 (C.A.N. 3538)
 TEL. (305) 264-8100 FAX. (305) 262-6978
 COMP-ANL\W04-91SM

SERIES K2LM ALUM OUT-SWING ENTRANCE DOOR
Aldora Aluminum & Glass Products Inc.
 4250 Coral Ridge Drive, Suite 101
 Coral Springs, FL. 33065
 Tel. (954) 784-6900 Fax. (954) 784-6901

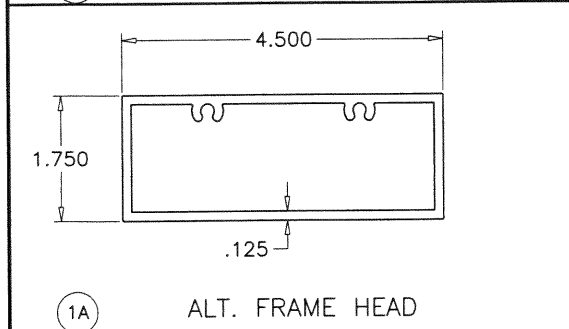
no	date	by	description
H	1.11.17		REV. PER RER COMMENTS
I	09.05.17		REV. PER RER COMMENTS
J	01.05.18		REV. PER RER COMMENTS
K	06.25.20		UPDATED TO 2020 FBC

date:	10-25-04
scale:	3/8" = 1"
dr. by:	TARIQ
chk. by:	

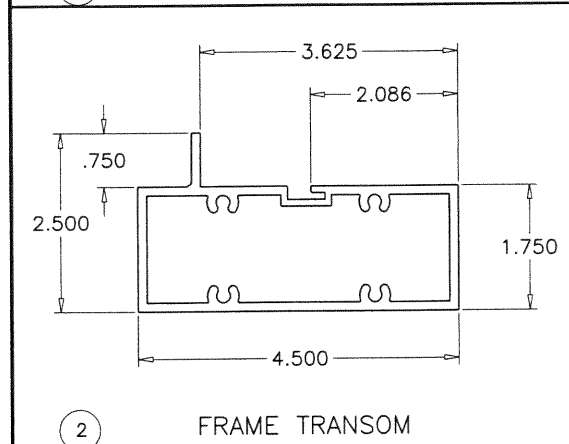
drawing no.	W04-91
sheet	8.1 of 11



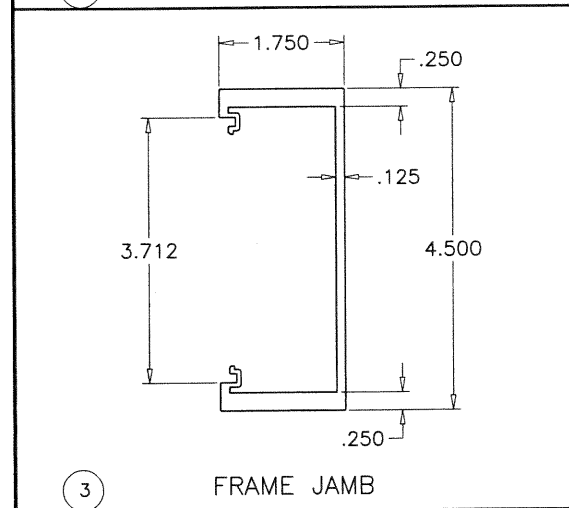
1 FRAME HEAD



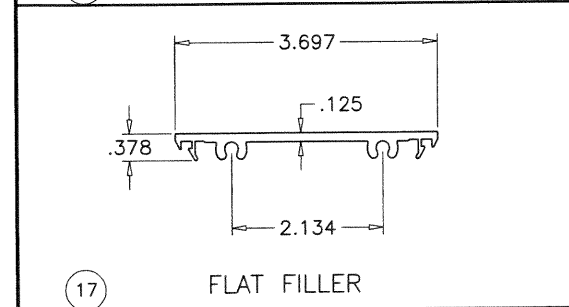
1A ALT. FRAME HEAD



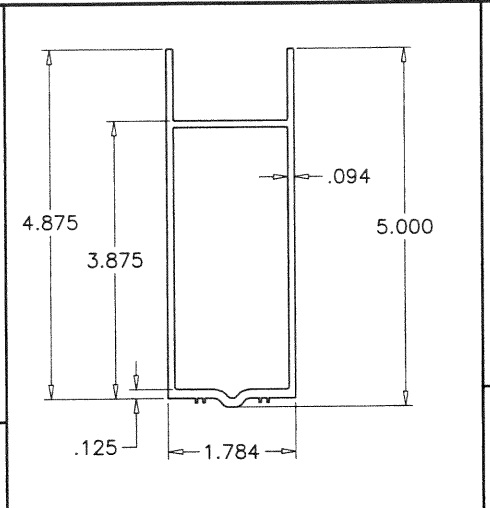
2 FRAME TRANSOM



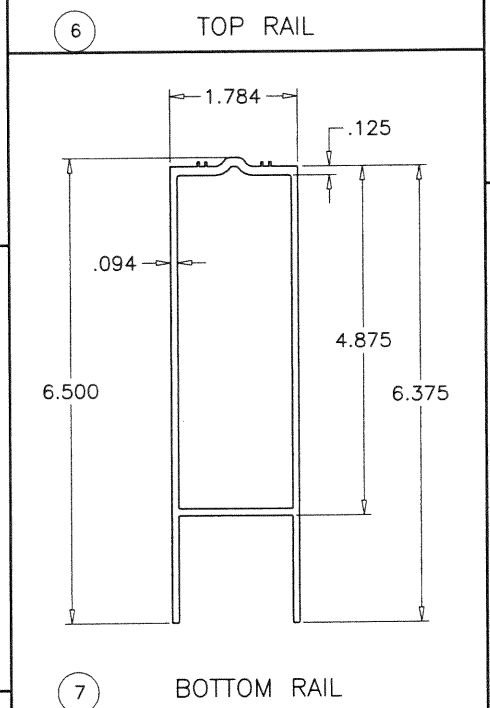
3 FRAME JAMB



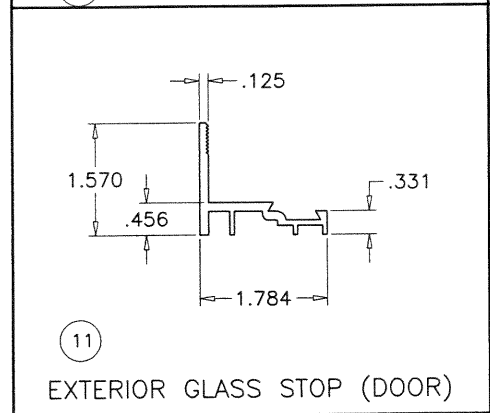
17 FLAT FILLER



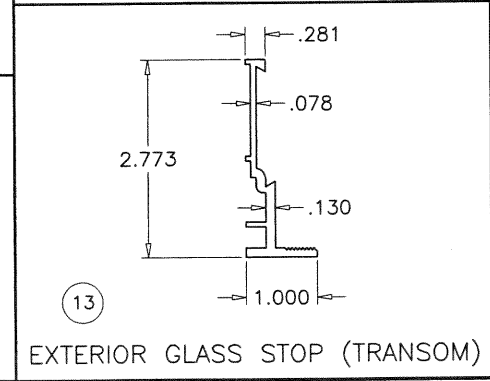
6 TOP RAIL



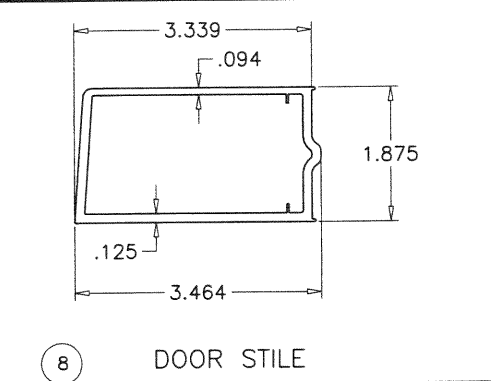
7 BOTTOM RAIL



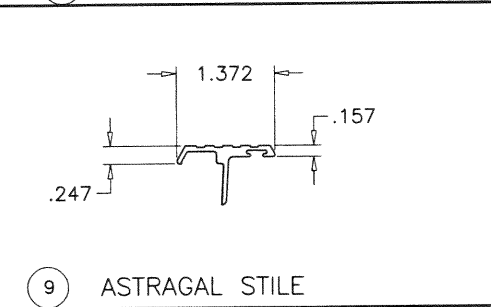
11 EXTERIOR GLASS STOP (DOOR)



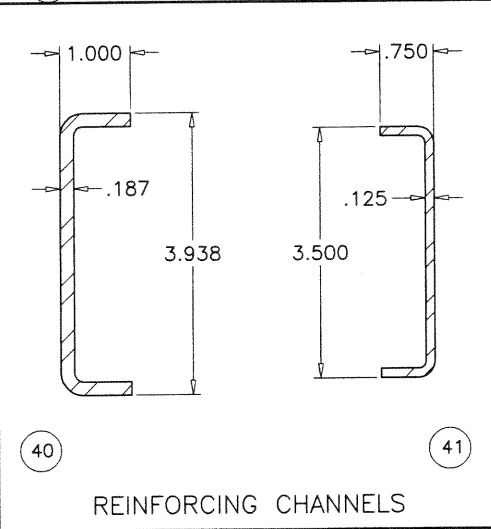
13 EXTERIOR GLASS STOP (TRANSOM)



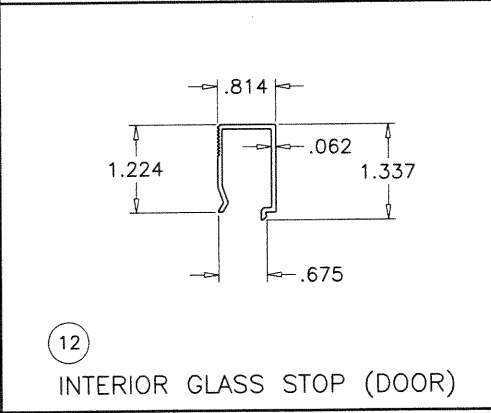
8 DOOR STILE



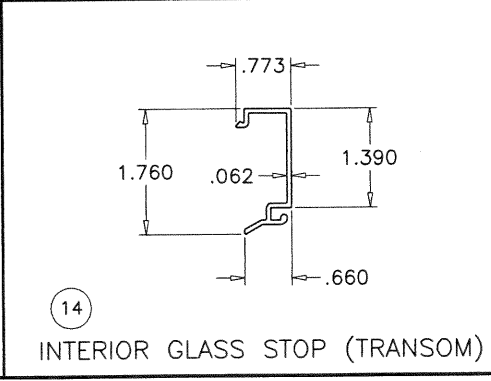
9 ASTRAGAL STILE



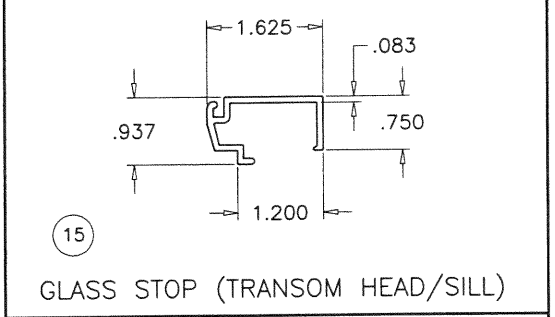
40 41 REINFORCING CHANNELS



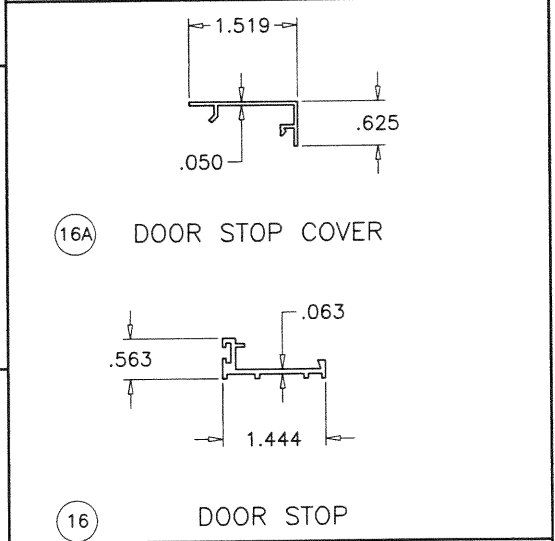
12 INTERIOR GLASS STOP (DOOR)



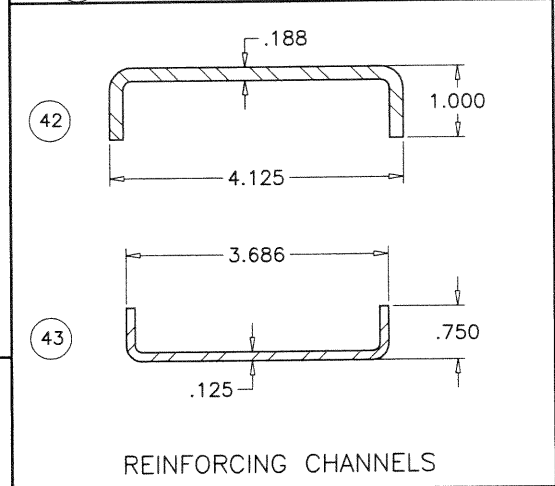
14 INTERIOR GLASS STOP (TRANSOM)



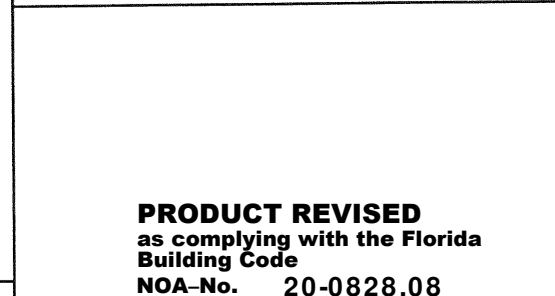
15 GLASS STOP (TRANSOM HEAD/SILL)



16A DOOR STOP COVER

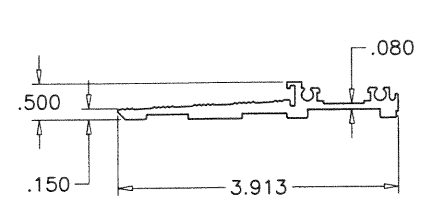


16 DOOR STOP

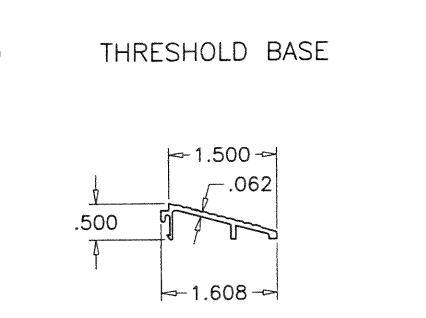


42 43 REINFORCING CHANNELS

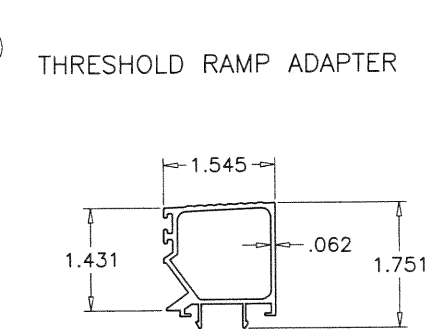
PRODUCT REVISED
 as complying with the Florida
 Building Code
 NOA-No. 20-0828.08
 Expiration Date 05/12/2022
 By Ishtay L. Chank
 Miami-Dade Product Control



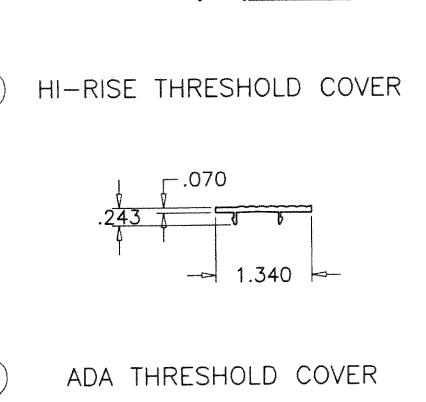
5A THRESHOLD BASE



5B THRESHOLD RAMP ADAPTER

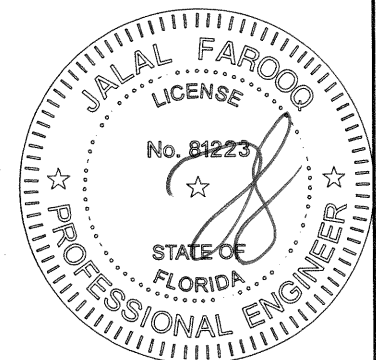


5C HI-RISE THRESHOLD COVER



5D ADA THRESHOLD COVER

OCT 20 2020



af c
AL-FAROOQ CORPORATION
 ENGINEERS & PRODUCT DEVELOPMENT
 9360 SUNSET DRIVE, SUITE 220
 MIAMI, FLORIDA 33173 (C.A.N. 3538)
 TEL. (305) 264-8100 FAX. (305) 262-6978
 COMP-ANL\W04-91SM

SERIES K2LM ALUM OUT-SWING ENTRANCE DOOR
Aldora Aluminum & Glass Products Inc.
 4250 Coral Ridge Drive, Suite 101
 Coral Springs, FL 33065
 Tel. (954) 784-6900 Fax. (954) 784-6901

no	date	by	description
H	1.11.17	REV. PER	COMMENTS
I	09.05.17	NO CHANGE	THIS SHEET
J	01.05.18	NO CHANGE	THIS SHEET
K	06.25.20	UPDATED TO	2020 FBC

date: 10-25-04
 scale: 3/8" = 1"
 dr. by: TARIQ
 chk. by:

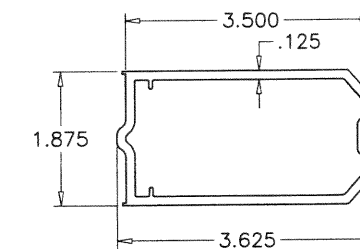
drawing no.
W04-91
 sheet 9 of 11

ITEM #	PART #	SMIS EXT. #	REQD.	DESCRIPTION	MATERIAL	MANF./SUPPLIER/REMARKS
1	5806	SMI-001	1	FRAME HEAD	6063-T6	-
1A	SMM-006	SMI-006	1	ALT. FRAME HEAD	6063-T6	-
2	5710	SMI-018	AS REQD.	FRAME TRANSOM	6063-T6	-
3	SMM-6007	SMI-005	2	FRAME JAMB	6063-T6	-
4	-	SMI-046	AS REQD.	MID-RAIL	6063-T6	OPTIONAL
4A	-	SMI-105	2	MID-RAIL CORNER CLIP	6005-T5	-
5A	-	SMI-036	1	THRESHOLD BASE	6063-T6	-
5B	-	SMI-037	1	THRESHOLD RAMP ADAPTER	6063-T5	-
5C	-	SMI-066	1	HI-RISE THRESHOLD COVER	6063-T5	-
5D	-	SMI-038	1	ADA THRESHOLD COVER	6063-T5	-
6	SMM-5984	SMI-012	1/ LEAF	TOP RAIL	6063-T6	-
7	SMM-5987	SMI-013	1/ LEAF	BOTTOM RAIL	6063-T6	-
8	SMM-5986	SMI-011	2/ LEAF	DOOR STILE	6063-T6	-
8A	-	SMI-009	2/ LEAF	ALT. DOOR STILE	6063-T6	-
9	SMI-030	SMI-030	1/ LEAF	ASTRAGAL	6063-T5	-
11	SMM-5981	SMI-007	4/ LEAF	EXTERIOR GLASS STOP (DOOR)	6063-T5	-
11.1	-	SMI-096	4/ LEAF	EXTERIOR GLASS STOP (DOOR)	6063-T5	-
12	SMM-5982	SMI-008	4/ LEAF	INTERIOR GLASS STOP (DOOR)	6063-T5	-
13	SMM-003	SMI-016	-	EXTERIOR GLASS STOP (TRANSOM JAMB)	-	-
13.1	SMI-PW001	-	-	TRANSOM ADAPTER	-	-
14	SMM-004	SMI-017	-	INTERIOR GLASS STOP (TRANSOM JAMB)	-	-
14.1	SMI-092	-	-	INTERIOR GLASS STOP (TRANSOM)	-	-
15	SMM-5712	SMI-002	2/ LITE	GLASS STOP (TRANSOM HEAD/SILL)	-	-
16	SMM-002	SMI-014	3/ DOOR	DOOR STOP	6063-T5	-
16A	SMM-001	SMI-015	3/ DOOR	DOOR STOP COVER	6063-T5	-
17	SMM-5807A	SMI-004	OPTIONAL	FLAT FILLER	6063-T6	-
18	SMI-003	-	AS REQD.	INTERMEDIATE SNAP-IN	6063-T5	-
19	H-63	SMI-G01	AS REQD.	WEDGE-IN GASKET	NEOPRENE	DUROMETER 68 SHORE A
20	-	SMI-G12	AS REQD.	DOUBLE FACE FOAM TAPE (3/16" X 1/2")	VINYL FOAM	FRANK LOWE
21	-	SMI-G07	AS REQD.	GASKET (@ EXTERIOR)	SANTOPRENE	CENTRAL PLASTICS INC.
22	-	SMI-G11	AS REQD.	SINGLE FACE FOAM TAPE (1/8" X 1/2)	VINYL FOAM	FRANK LOWE
23	-	SMI-W01	AS REQD.	PILE W'STRIPPING	WOOL	ULTRAFAB
24	-	SMI-G03	AS REQD.	BULB W'STRIPPING	VINYL	DUROMETER 83 SHORE A
26	-	-	2/ LEAF	3/8" THREADED ROD WITH NUT	STEEL	-
27	-	-	2/ LEAF	FLUSH BOLT GUIDE	ST. STEEL	-
28	-	-	AS REQD.	PUSH BAR	-	-
29	-	-	AS REQD.	PULL HANDLE	-	-
30	-	-	2	THRESHOLD CLIP	ALUMINUM	2" X 2" X 1/8" X 7/8" LONG
31	-	-	4/ LEAF	SUPPORT PLATE (1-1/2" X 3-3/8" X 3/16")	ALUMINUM	-
33	#12 X 1-1/2"	-	AS REQD.	FRAME ASSEMBLY SCREWS	-	HEX H TEKS
34	#10 X 1"	-	AS REQD.	GLASS STOP FASTENERS, AT 3" FROM ENDS & 10" O.C.	-	FH SMS
35	#12 X 3/4"	-	AS REQD.	THRESHOLD CLIP SCREWS	-	FH SELF DRILLING
37	#10 X 5/16"	-	2/ GUIDE	GUIDE INSTALLATION SCREWS	-	FH MS
40	-	-	-	REINFORCING CHANNEL (DOOR MULL)	STEEL	1" X 3-15/16" X 1" X 3/16" THK.
41	-	-	-	REINFORCING CHANNEL (DOOR MULL)	STEEL	3/4" X 3-1/2" X 3/4" X 1/8" THK.
42	-	-	OPTIONAL	REINFORCING CHANNEL (TRANSOM)	STEEL	1" X 4-1/8" X 1" X 3/16" THK.
43	-	-	OPTIONAL	REINFORCING CHANNEL (TRANSOM)	STEEL	3/4" X 3-11/16" X 3/4" X 1/8" THK.
44	-	-	2/ LITE	SETTING BLOCKS AT 1/4 POINTS	EPDM	DUROMETER 80±5 SHORE A
45	-	-	2/ LITE	SETTING BLOCKS AT 1/4 POINTS (1/4"X3/8"X4" LONG)	EPDM	TREMCO, DUROMETER 80±5 SHORE A

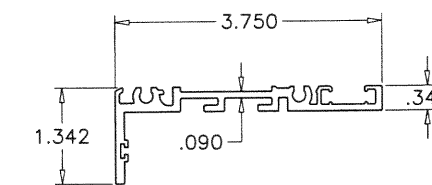
SEALANTS:

ALL FRAME AND LEAF CORNERS AND INSTALLATION SCREWS SEALED WITH SILICONE.

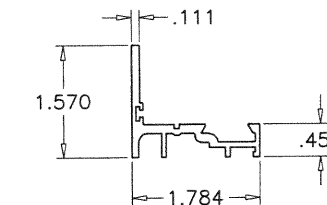
PRODUCT REVISED
as complying with the Florida
Building Code
NOA-No. 20-0828.08
Expiration Date 05/12/2022
By Shay L. Chank
Miami-Dade Product Control



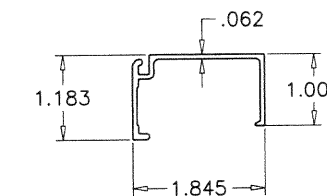
8A ALT. DOOR STILE



13.1 TRANSOM ADAPTER



11.1 EXTERIOR GLASS STOP (DOOR)



14.1 INTERIOR GLASS STOP (TRANSOM)

af c
AL-FAROOQ CORPORATION
ENGINEERS & PRODUCT DEVELOPMENT
9360 SUNSET DRIVE, SUITE 220
MIAMI, FLORIDA 33173 (C.A.N. 3538)
TEL. (305) 264-8100 FAX. (305) 262-6978
COMP-ANL\W04-91SM

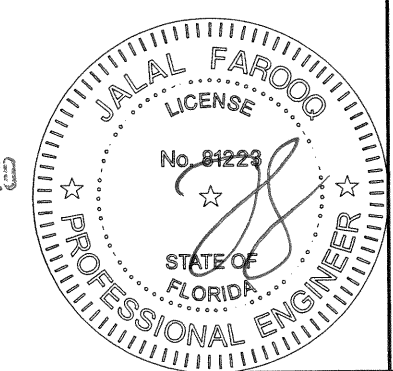
SERIES K2LM ALUM OUT-SWING ENTRANCE DOOR
Aldora Aluminum & Glass Products Inc.
4250 Coral Ridge Drive, Suite 101
Coral Springs, FL. 33065
Tel. (954) 784-6900 Fax. (954) 784-6901

no	date	description
H	1.11.17	REV. PER RER COMMENTS
I	09.05.17	REV. PER RER COMMENTS
J	01.05.18	REV. PER RER COMMENTS
K	06.25.20	UPDATED TO 2020 FBC

date: 10-25-04
scale: 3/8" = 1"
dr. by: TARIQ
chk. by:

drawing no.
W04-91
sheet 9.1 of 11

OCT 28 2020



LOCK OPTIONS:

OPTION 1:

SINGLE LEAF DOORS:

ALL SINGLE LEAF DOORS TO BE FITTED WITH 3 POINT LOCK

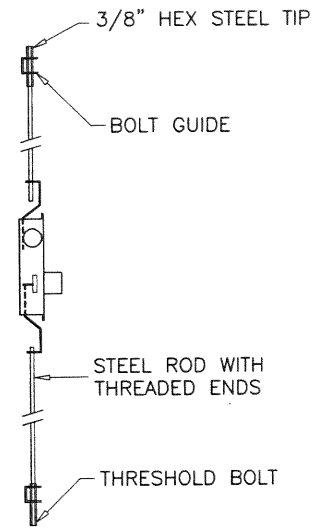
DOUBLE LEAF DOORS:

ACTIVE LEAF:

THREE POINT LOCK SYSTEM WITH 5 PLY HOOK LOCK BOLT REGENT 2222, KEY OPERATED ON EXTERIOR AND THUMB-TURN ON INTERIOR, LOCATED AT 34" FROM BOTTOM OF PANEL

INACTIVE LEAF:

TWO POINT LOCK SYSTEM SULLIVAN CH 103 WITH THUMB TURN ON THE INTERIOR, LOCATED AT 34" FROM BOTTOM OF PANEL



OPTION 2:

SINGLE LEAF DOORS:

ALL SINGLE LEAF DOORS TO BE FITTED WITH 3 POINT LOCK

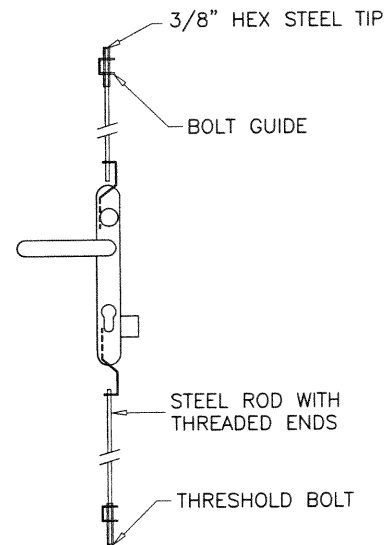
DOUBLE LEAF DOORS:

ACTIVE LEAF:

THREE POINT LOCK SYSTEM WITH 4 PLY HOOK LOCK REGENT NO. 206-3P, KEY OPERATED ON EXTERIOR AND THUMB-TURN ON INTERIOR, LOCATED AT 36" FROM BOTTOM OF PANEL

INACTIVE LEAF:

TWO POINT LOCK SYSTEM SULLIVAN CH 103 WITH THUMB TURN ON THE INTERIOR, LOCATED AT 36" FROM BOTTOM OF PANEL



PRODUCT REVISED
as complying with the Florida Building Code
NOA-No. 20-0828.08

Expiration Date 05/12/2022

By Isaac I. Chandra
Miami-Dade Product Control

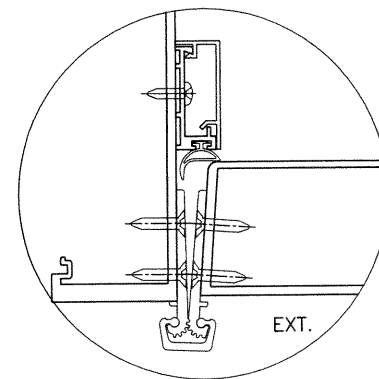
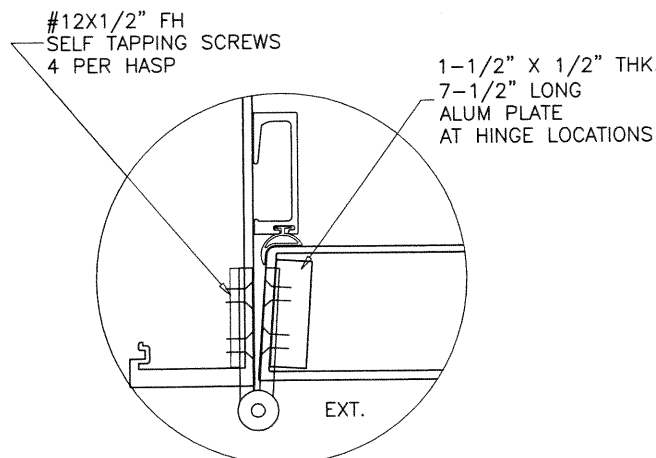
HINGE OPTIONS:

BUTT HINGES:

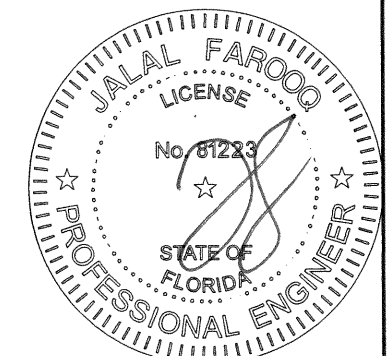
4-1/2 X 4" TWO PIECE STAINLESS STEEL BUTT HINGES AT 8" FROM TOP AND BOTTOM AND 26" O.C. MAX.

ROTON HINGE:

LIMIT MAX. DESIGN LOADS = ±75.0 PSF
MAX. LEAF WIDTH = 42"
MAX. FRAME HEIGHT = 96"



OCT 28 2020



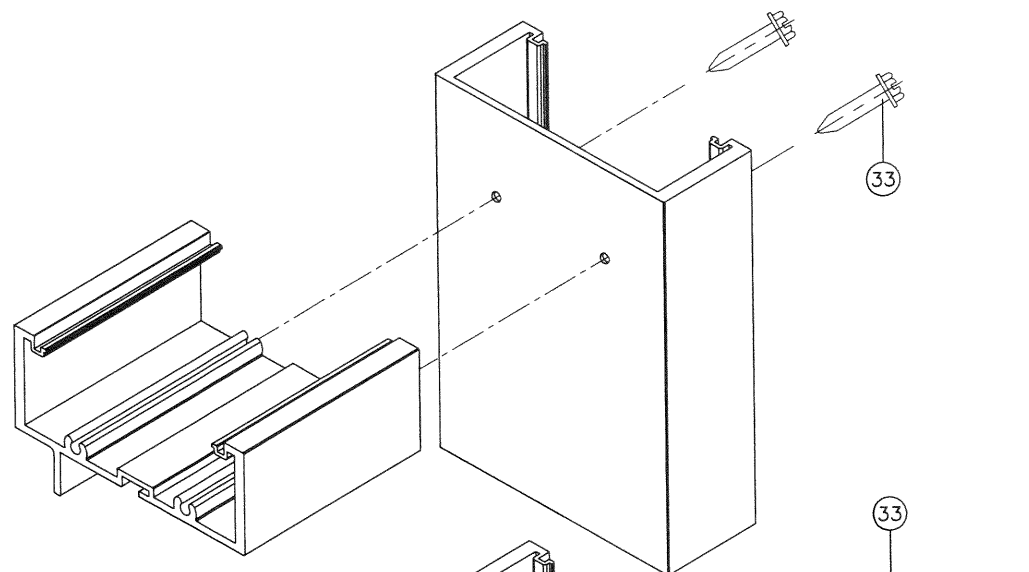
afc
AL-FAROOQ CORPORATION
ENGINEERS & PRODUCT DEVELOPMENT
9360 SUNSET DRIVE, SUITE 220 (C.A.N. 3538)
MIAMI, FLORIDA 33173
TEL. (305) 264-8100 FAX. (305) 262-6978
COMP-ANL\W04-91SM

SERIES K2LM ALUM OUT-SWING ENTRANCE DOOR
Aldora Aluminum & Glass Products Inc.
4250 Coral Ridge Drive, Suite 101
Coral Springs, FL. 33065
Tel. (954) 784-6900 Fax. (954) 784-6901

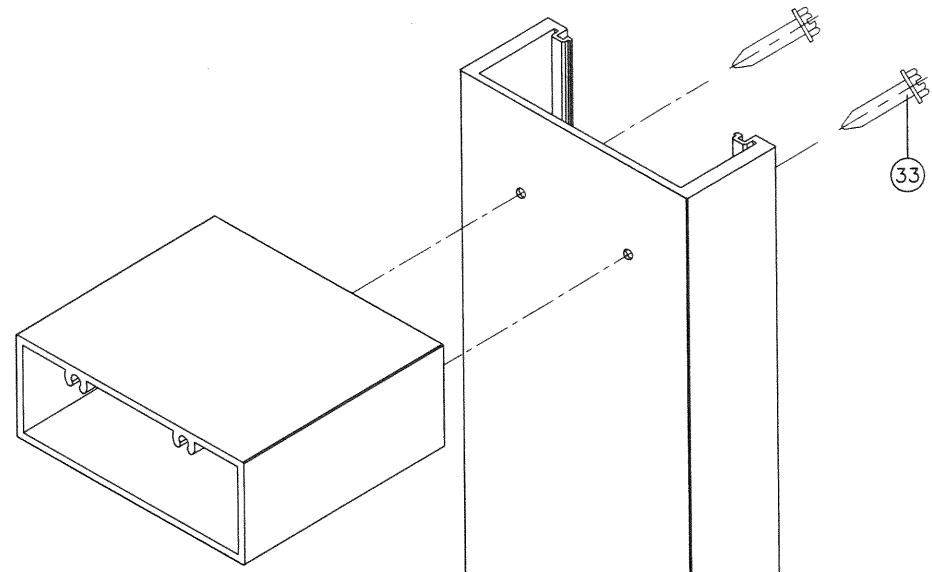
no	date	by	description
H	1.11.17	REV. PER	COMMENTS
I	09.05.17	NO CHANGE	THIS SHEET
J	01.05.18	REV. PER	COMMENTS
K	06.25.20	UPDATED TO	2020 FBC

date: 10-25-04
scale: 3/8" = 1"
dr. by: TARIQ
chk. by:

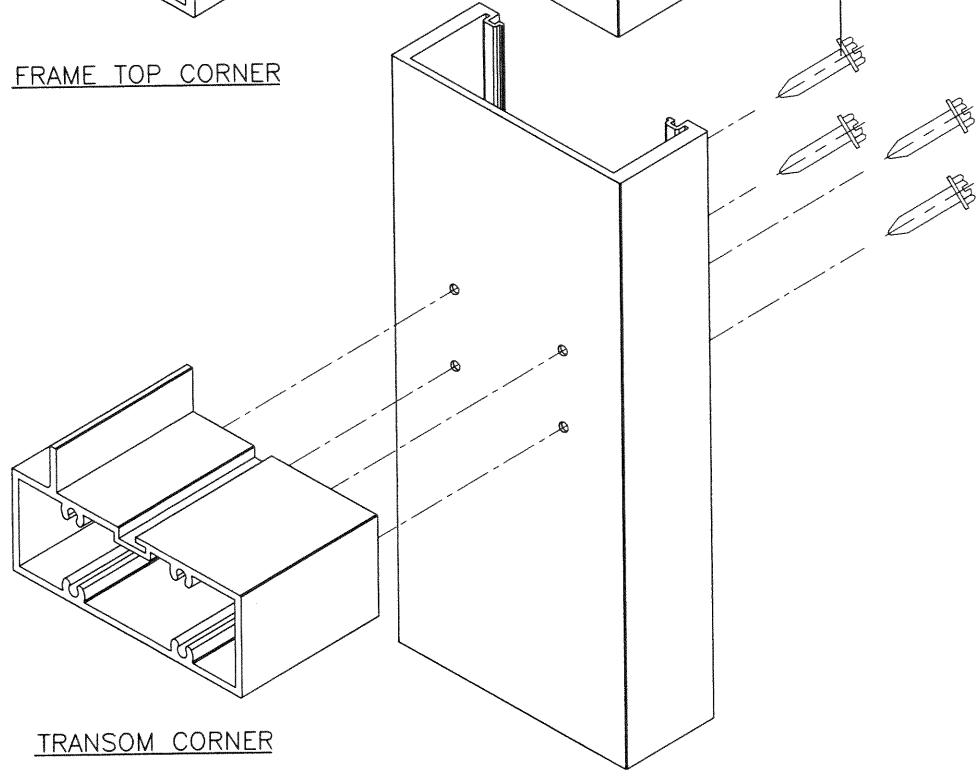
drawing no. **W04-91**
sheet 10 of 11



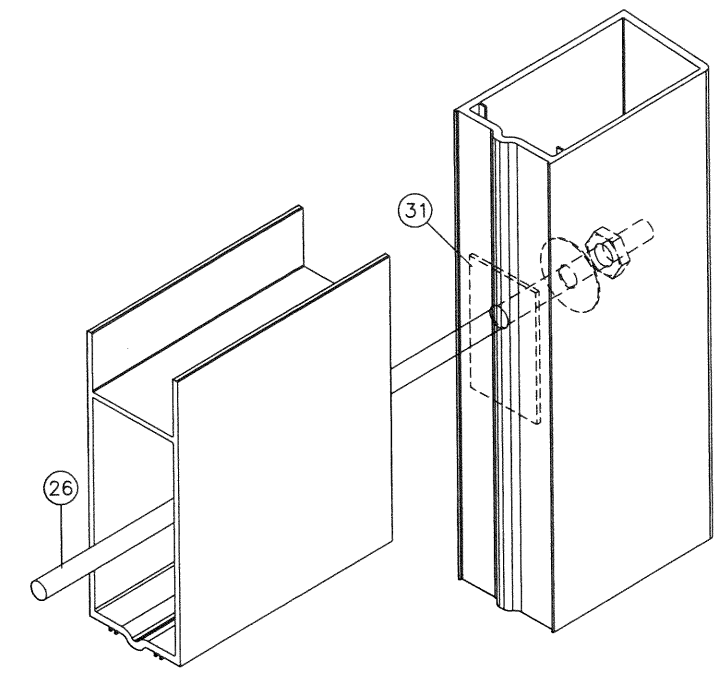
FRAME TOP CORNER



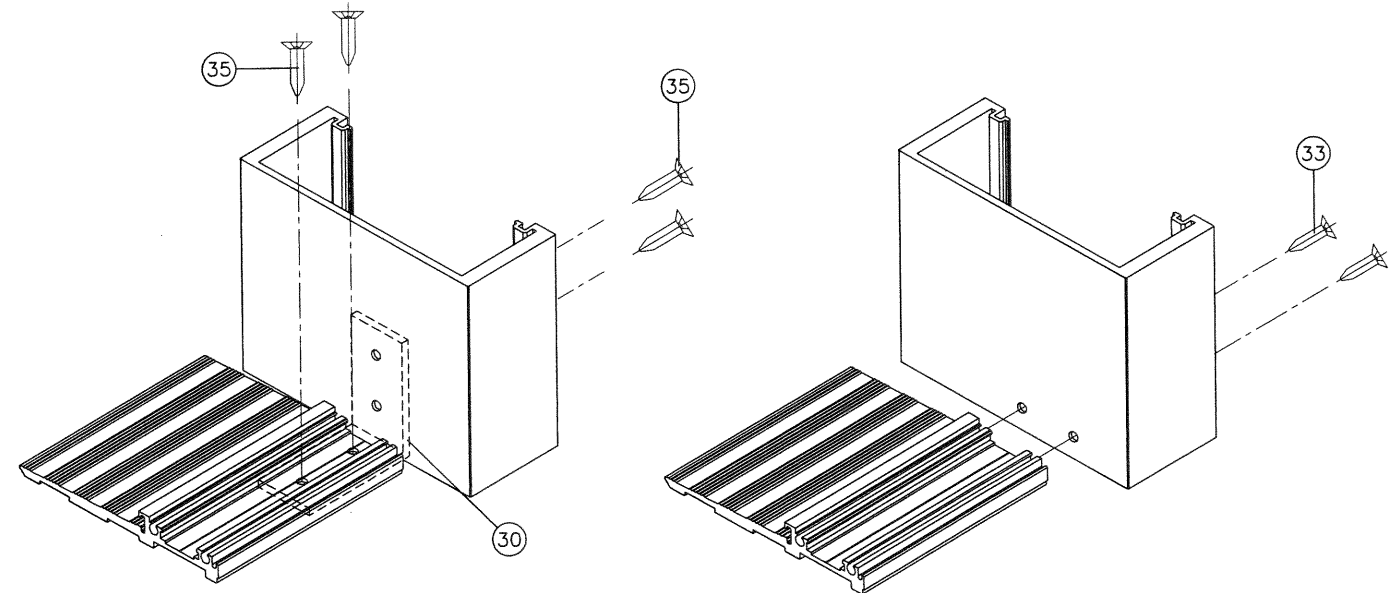
DOOR CORNER



TRANSOM CORNER



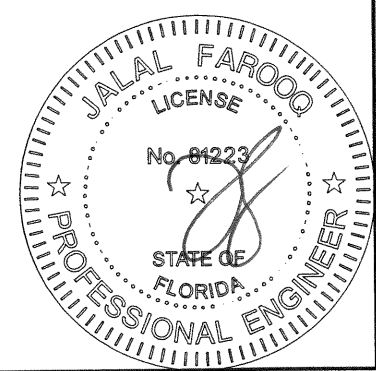
DOOR LEAF CORNER



FRAME BOTTOM CORNER

PRODUCT REVISED
 as complying with the Florida
 Building Code
 NOA-No. 20-0828.08
 Expiration Date 05/12/2022
 By Ishag I. Chanki
 Miami-Dade Product Control

OCT 20 2020



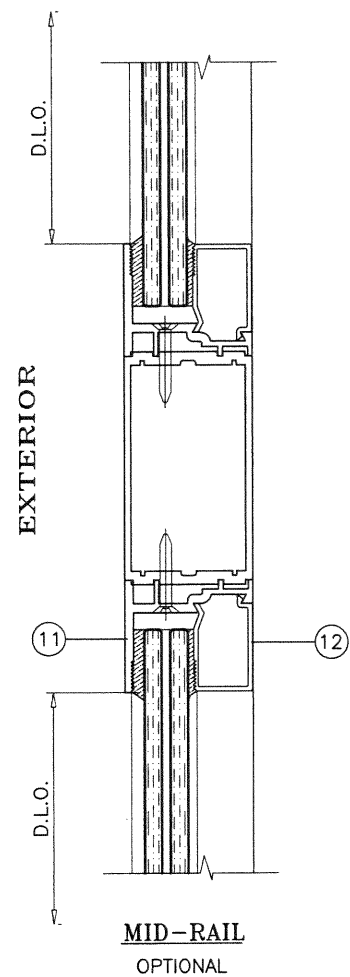
afC
AL-FAROOQ CORPORATION
 ENGINEERS & PRODUCT DEVELOPMENT
 9360 SUNSET DRIVE, SUITE 220
 MIAMI, FLORIDA 33173 (C.A.N. 3538)
 TEL. (305) 264-8100 FAX. (305) 262-6978
 COMP-ANL\W04-91TSM

SERIES K2LM ALUM OUT-SWING ENTRANCE DOOR
Aldora Aluminum & Glass Products Inc.
 4250 Coral Ridge Drive, Suite 101
 Coral Springs, FL. 33065
 Tel. (954) 784-6900 Fax. (954) 784-6901

revisions:	no	date	by	description
	H	1.11.17		EDITORIAL CHANGES
	I	09.05.17		NO CHANGE THIS SHEET
	J	01.05.18		NO CHANGE THIS SHEET
	K	06.25.20		UPDATED TO 2020 FBC

date: 10-25-04
 scale: 3/8" = 1"
 dr. by: TARIQ
 chk. by:

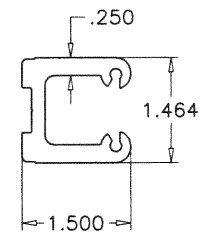
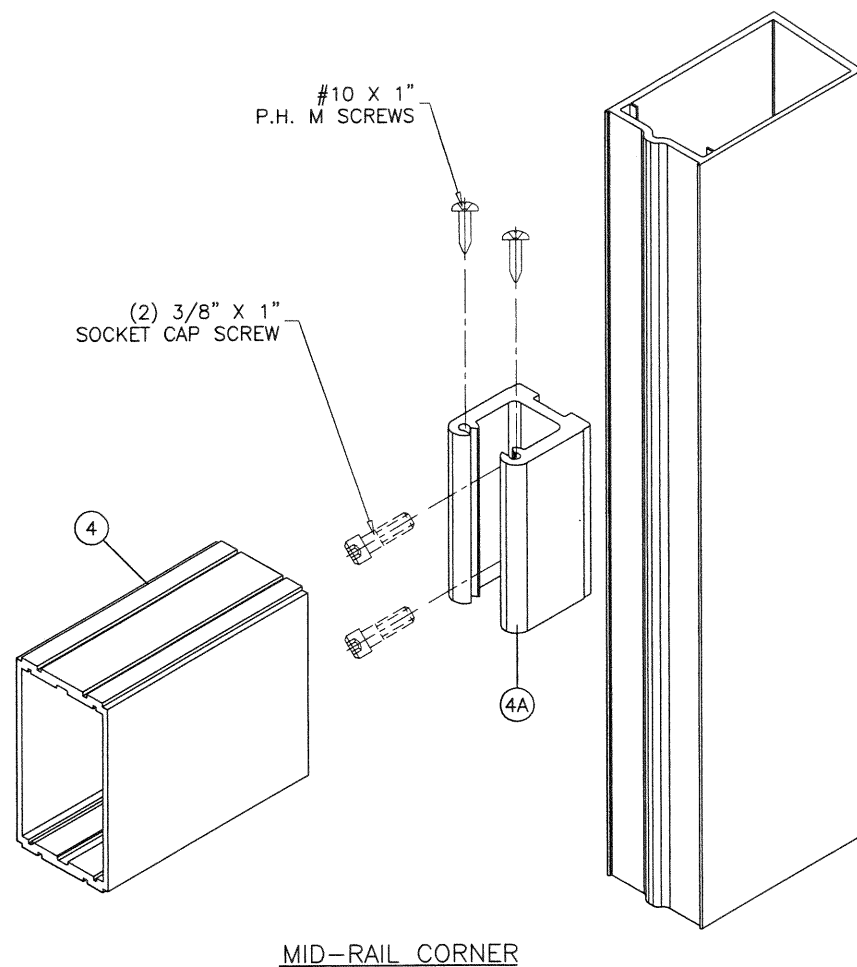
drawing no.
W04-91
 sheet 11 of 11



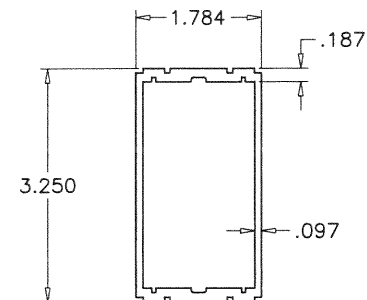
PRODUCT REVISED
 as complying with the Florida
 Building Code
 NOA-No. 20-0828.08

Expiration Date 05/12/2022

By Shay L. Chank
 Miami-Dade Product Control

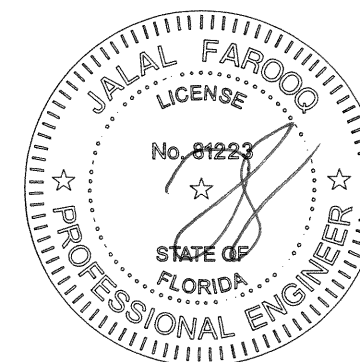


4A MID-RAIL CORNER CLIP



4 MID-RAIL

OCT 20 2020



af c
AL-FAROOQ CORPORATION
 ENGINEERS & PRODUCT DEVELOPMENT
 9360 SUNSET DRIVE, SUITE 220 (C.A.N. 3538)
 MIAMI, FLORIDA 33173
 TEL. (305) 264-8100 FAX. (305) 262-6978

SERIES K2LM ALUM OUT-SWING ENTRANCE DOOR
Aldora Aluminum & Glass Products Inc.
 4250 Coral Ridge Drive, Suite 101
 Coral Springs, FL. 33065
 Tel. (954) 784-6900 Fax. (954) 784-6901

no	date	by	description
H	1.11.17		EDITORIAL CHANGES
I	09.05.17		NO CHANGE THIS SHEET
J	01.05.18		REV. PER RER COMMENTS
K	06.25.20		UPDATED TO 2020 FBC

date: 10-25-04
 scale: 3/8" = 1"
 dr. by: TARIQ
 chk. by:

drawing no.
W04-91
 sheet 11.1 of 11

COMP-ANL\W04-91SM