

OBTAIN DOOR/GLASS/REINFORCING/LOCK OPTION CAPACITY FROM TABLES ON SHEETS 3 AND 4.

THESE DOORS ARE RATED FOR LARGE & SMALL MISSILE IMPACT. SHUTTERS ARE NOT REQUIRED.

**SERIES 'SUMMIT' ALUMINUM OUT-SWING DOOR**

SINGLE (X) AND DOUBLE (XX) LEAF DOORS W/O TRANSOM SEE CHARTS ON SHEETS 3 AND 4 FOR DESIGN LOAD CAPACITY.

SINGLE (O/X) AND DOUBLE (O/XX) LEAF DOORS WITH TRANSOMS (WITH OR WITHOUT REINFORCING) SEE SHEETS 7 & 8 FOR HORIZONTAL MULLION CAPACITY CHART, LOWER VALUES FROM DOOR CAPACITY CHART OR HORIZONTAL MULLION (TRANSOM BAR) CAPACITY CHART WILL APPLY TO ENTIRE SYSTEM.

DOORS CAN ALSO BE USED WITH APPROVED ALDORA SMI-175, FS-300 AND SMI-090 STOREFRONT SYSTEMS (UNDER SEPARATE APPROVAL) TO BE REVIEWED BY BUILDING OFFICIAL. FOR DOORS WITH STOREFRONT SYSTEM SEE SEPARATE APPROVAL FOR DOOR MULLION CAPACITY AND ANCHORING REQUIREMENTS. THE LOWEST VALUE RESULTING FROM DOOR CAPACITY OR TRANSOM CAPACITY OR STOREFRONT APPROVAL WILL APPLY TO ENTIRE SYSTEM.

FOR INSTALLATIONS WHERE WATER INFILTRATION RESISTANCE IS REQUIRED SEE SHEET 9.

THIS PRODUCT HAS BEEN DESIGNED AND TESTED TO COMPLY WITH THE REQUIREMENTS OF THE 2020 (7TH EDITION)/2023 (8TH EDITION) FLORIDA BUILDING CODE INCLUDING HIGH VELOCITY HURRICANE ZONE (HVHZ).

1BY OR 2BY WOOD BUCKS & BUCK FASTENERS BY OTHERS, MUST BE DESIGNED AND INSTALLED ADEQUATELY TO TRANSFER APPLIED PRODUCT LOADS TO THE BUILDING STRUCTURE.

ANCHORS SHALL BE CORROSION RESISTANT, SPACED AS SHOWN ON DETAILS AND INSTALLED PER MANUF'S INSTRUCTIONS. SPECIFIED EMBEDMENT TO BASE MATERIAL SHALL BE BEYOND WALL DRESSING OR STUCCO.

A LOAD DURATION INCREASE IS USED IN DESIGN OF ANCHORS INTO WOOD ONLY.

ALL SHIMS TO BE HIGH IMPACT, NON-METALLIC AND NON-COMPRESSIBLE.

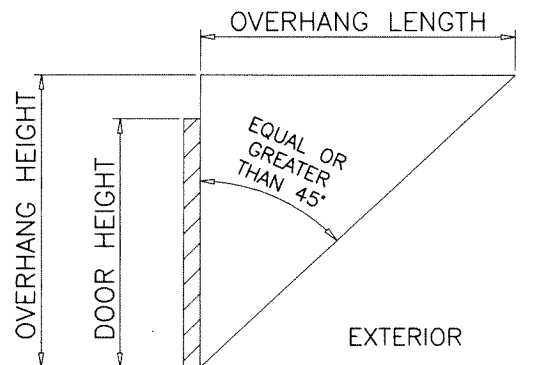
MATERIALS INCLUDING BUT NOT LIMITED TO STEEL/METAL SCREWS, THAT COME INTO CONTACT WITH OTHER DISSIMILAR MATERIALS SHALL MEET THE REQUIREMENTS OF THE 2020/2023 FLORIDA BLDG. CODE & ADOPTED STANDARDS.

THIS PRODUCT APPROVAL IS GENERIC AND DOES NOT PROVIDE INFORMATION FOR A SITE SPECIFIC PROJECT, I.E. LIFE SAFETY OF THIS PRODUCT, ADEQUACY OF STRUCTURE RECEIVING THIS PRODUCT AND SEALING AROUND OPENING FOR WATER INFILTRATION RESISTANCE ETC.

CONDITIONS NOT SHOWN IN THIS DRAWING ARE TO BE ANALYZED SEPARATELY, AND TO BE REVIEWED BY BUILDING OFFICIAL.

DESIGN LOADS SHOWN ARE BASED ON 'ALLOWABLE STRESS DESIGN (ASD)'.

MANUFACTURER'S LABEL SHALL BE LOCATED ON A READILY VISIBLE LOCATION IN ACCORDANCE WITH SECTION 1709.9.3 OF FLORIDA BUILDING CODE. LABELING TO COMPLY WITH SECTION 1709.9.2.



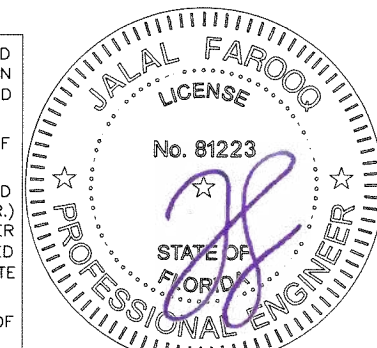
WATER INFILTRATION RESISTANCE IS NOT REQUIRED FOR DOORS PROTECTED BY AN OVERHANG AS SHOWN ABOVE OR DOORS LOCATED IN NON-HABITABLE AREAS.

LAMINATED GLASS  
LAM. INSUL. GLASS  
LARGE MISSILE IMPACT

Sealed: 7/12/2023

FL #17682

A- CONTRACTOR TO BE RESPONSIBLE FOR THE SELECTION, PURCHASE AND INSTALLATION OF THIS PRODUCT BASED ON THIS PRODUCT EVALUATION PROVIDED HE/SHE DOES NOT DEVIATE FROM THE CONDITIONS DETAILED ON THIS DOCUMENT.  
B- THIS PRODUCT EVALUATION DOCUMENT WILL BE CONSIDERED INVALID IF ALTERED BY ANY MEANS.  
C- SITE SPECIFIC PROJECTS SHALL BE PREPARED BY A FLORIDA REGISTERED ENGINEER OR ARCHITECT WHICH WILL BECOME THE ENGINEER OF RECORD (E.O.R.) FOR THE PROJECT AND WHO WILL BE RESPONSIBLE FOR THE PROPER USE OF THE P.E.D. ENGINEER OF RECORD, ACTING AS A DELEGATED ENGINEER TO THE P.E.D. ENGINEER SHALL SUBMIT TO THIS LATTER THE SITE SPECIFIC DRAWINGS FOR REVIEW.  
D- THIS P.E.D. SHALL BEAR THE DATE AND ORIGINAL SEAL AND SIGNATURE OF THE PROFESSIONAL ENGINEER OF RECORD THAT PREPARED IT.

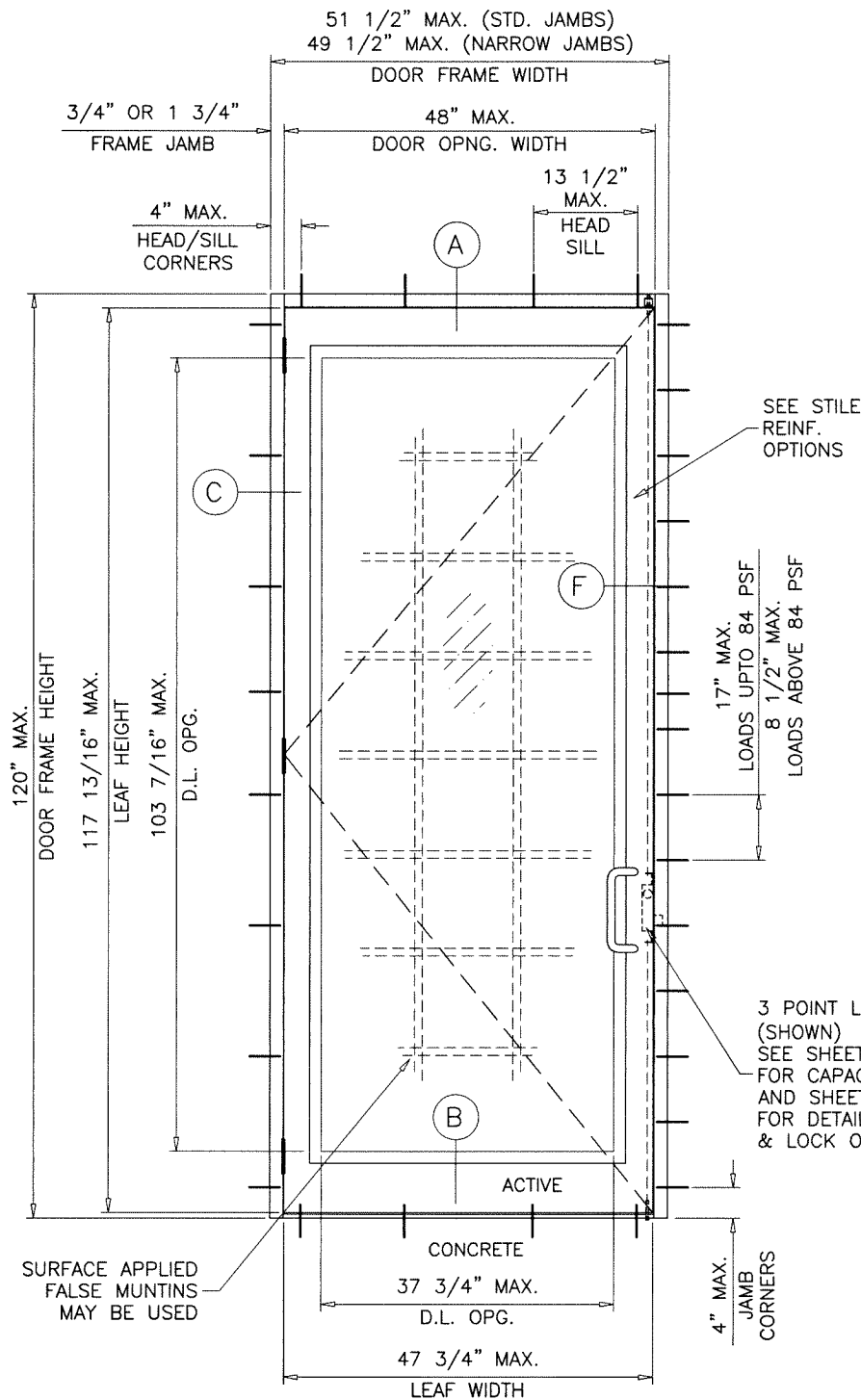


**AL-FAROOQ CORPORATION**  
ENGINEERS & PRODUCT DEVELOPMENT  
9360 SUNSET DRIVE, SUITE 220  
MIAMI, FLORIDA 33173  
TEL. (305) 264-8100 FAX. (305) 262-6978  
COMP-ANL\21-38F-AAG

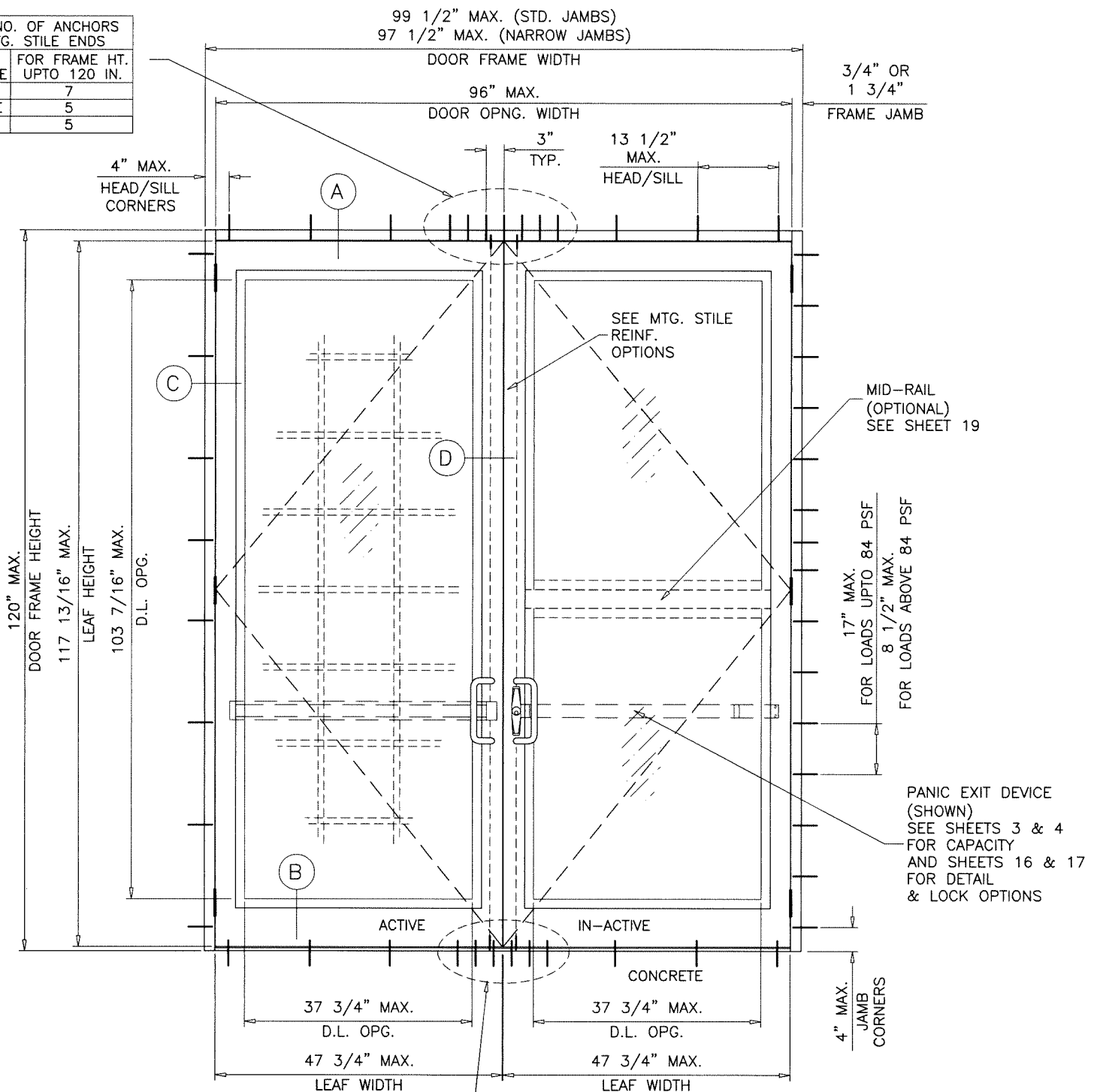
SERIES 'SUMMIT' ALUMINUM OUT-SWING DOOR (L.M.I.)  
**Aldora Aluminum & Glass Products Inc.**  
4250 Coral Ridge Drive, Suite 101  
Coral Springs, FL. 33065  
Tel. (954) 784-6900 Fax. (954) 784-6901

no	date	description
A	03.29.22	GLASS TYPES J & JI REV.
B	07.01.23	UPDATED TO 2023 FBC

revisions:  
date: 05-04-21  
scale: 1/2"=1'-0"  
dr. by: TARIQ  
chk. by:  
drawing no. 21-38F  
sheet 1 of 22



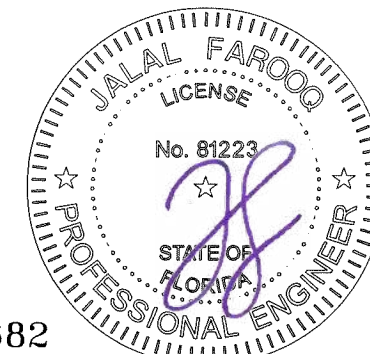
TOTAL NO. OF ANCHORS AT MTG. STILE ENDS	
SUBSTRATE	FOR FRAME HT. UPTO 120 IN.
WOOD	7
CONCRETE	5
METAL	5



TYPICAL ELEVATIONS

Sealed: 7/12/2023

FRAME WIDTH = DOOR OPNG. WIDTH + 3.500 (STD. JAMBS)  
 = DOOR OPNG. WIDTH + 1.500 (NARROW JAMBS)  
 LEAF HEIGHT = DOOR FRAME HEIGHT - 2.188"  
 LEAF WIDTH (XX DOORS) = (DOOR OPNG. WIDTH - .250)/2 REGENT HINGES  
 = (DOOR OPNG. WIDTH - .750)/2 ALUMINUM HINGES  
 LEAF WIDTH (X DOORS) = DOOR OPNG. WIDTH - .187 REGENT HINGES  
 = DOOR OPNG. WIDTH - .375 ALUMINUM HINGES  
 GLASS DLO HEIGHT = LEAF HEIGHT - 14.375 (STD. BOTTOM RAIL)  
 = LEAF HEIGHT - 19.375 (HI-PROFILE BOTTOM RAIL)  
 GLASS DLO WIDTH = LEAF WIDTH - 10.000



**af c**  
**AL-FAROOQ CORPORATION**  
 ENGINEERS & PRODUCT DEVELOPMENT  
 9360 SUNSET DRIVE, SUITE 220 (C.A.N. 3538)  
 MIAMI, FLORIDA 33173  
 TEL. (305) 264-8100 FAX. (305) 262-6978  
 COMP-ANL\21-38F-AAG

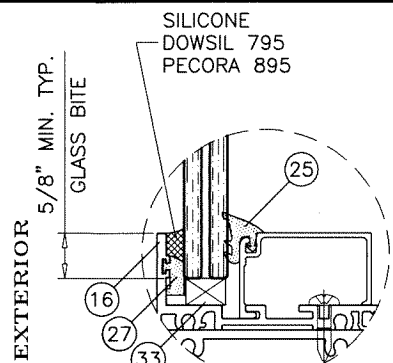
SERIES 'SUMMIT' ALUMINUM OUT-SWING DOOR (L.M.I.)  
**Aldora Aluminum & Glass Products Inc.**  
 4250 Coral Ridge Drive, Suite 101  
 Coral Springs, FL. 33065  
 Tel. (954) 784-6900 Fax. (954) 784-6901

no.	date	description

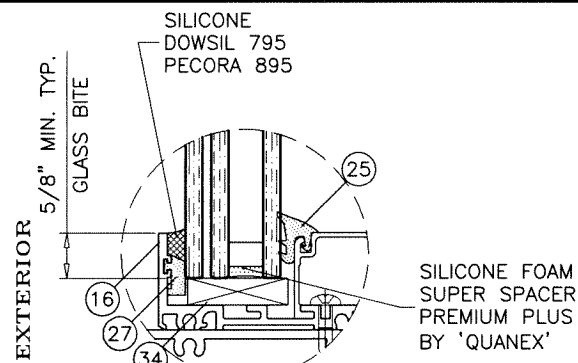
date: 05-04-21  
 scale: 1/2"=1'-0"  
 dr. by: TARIQ  
 chk. by:   
 drawing no. 21-38F  
 sheet 2 of 22

FL #17682

**GLAZING DETAILS LEVEL 'D' IMPACT**

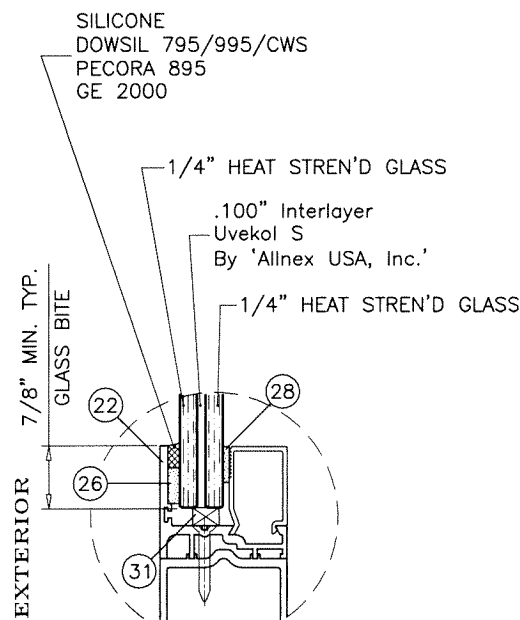


**GLASS TYPES 'C', 'E' OR 'F'**  
9/16" LAM. GLASS

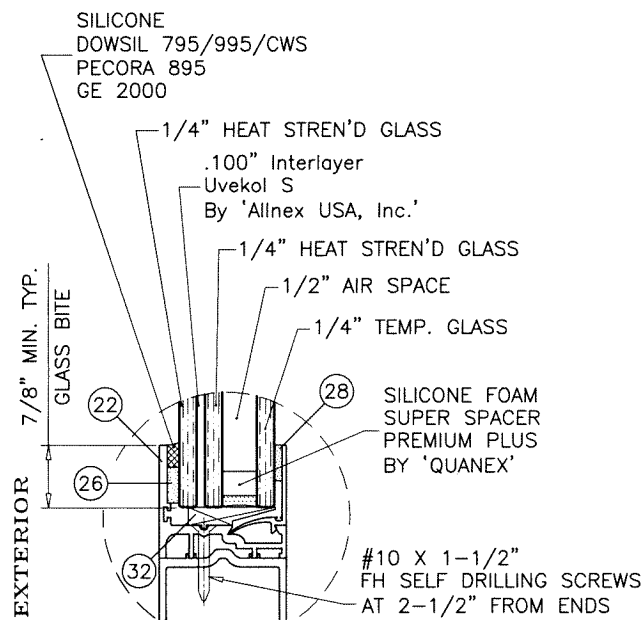


**GLASS TYPE 'D' OR 'G'**  
1-5/16" OVERALL INSUL. LAM. GLASS

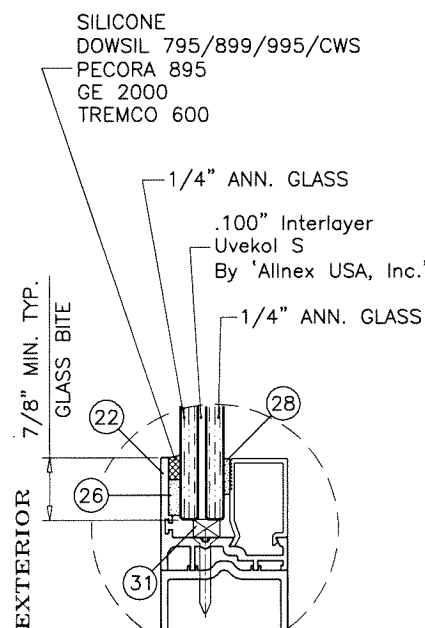
**GLAZING DETAIL TRANSOM**



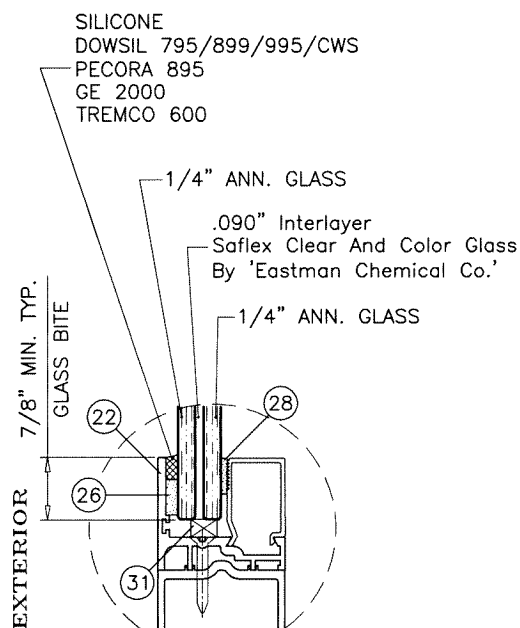
**GLASS TYPE 'C'**  
9/16" LAM. GLASS



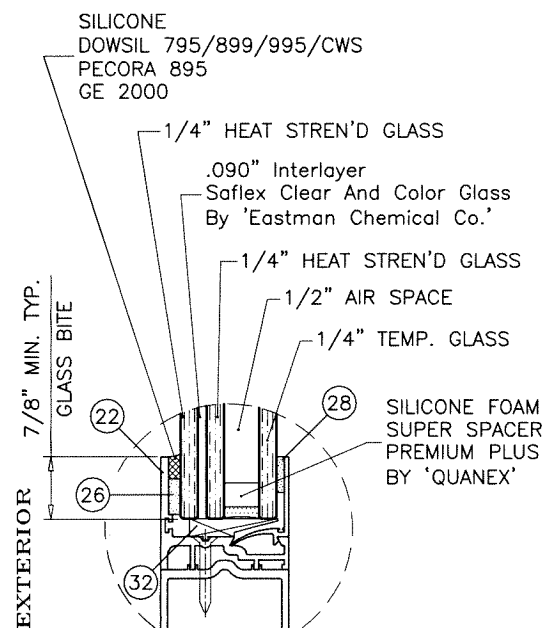
**GLASS TYPE 'D'**  
1-5/16" OVERALL INSUL. LAM. GLASS



**GLASS TYPE 'E'**  
9/16" LAM. GLASS

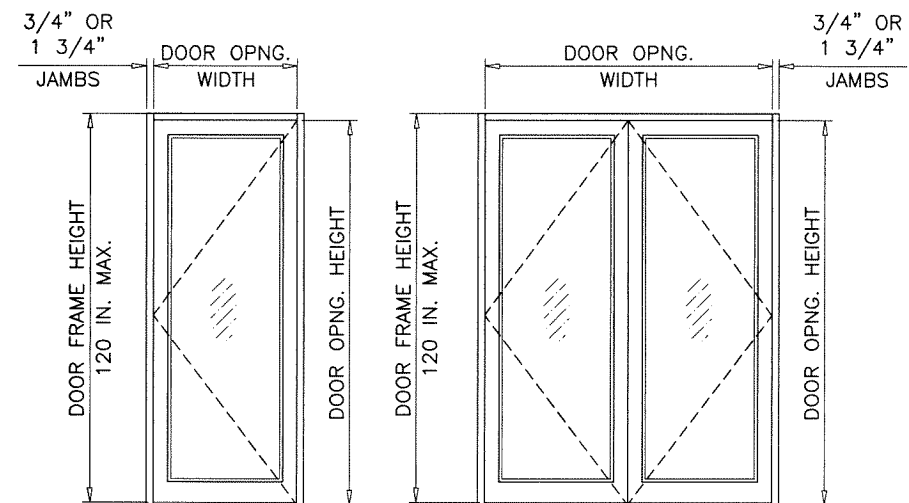


**GLASS TYPE 'F'**  
9/16" LAM. GLASS



**GLASS TYPE 'G'**  
1-5/16" OVERALL INSUL. LAM. GLASS

**GLAZING DETAILS DOOR LEAF**



( X )

( XX )

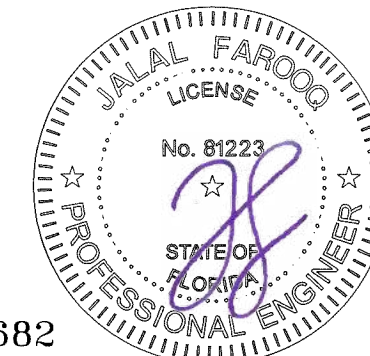
DESIGN LOAD CAPACITY - PSF (GLASS)						
SINGLE (X)	DOUBLE (XX)	FRAME HEIGHT INCHES	LOCK OPTIONS 1, 1A, 2, 3, 4, 5, 6, 7 & 8		LOCK OPTIONS 1, 1A, 2, 3, 7 & 8	
			GLASS TYPES 'E', 'F' & 'G'	GLASS TYPES 'C' & 'D'		
DOOR OPNG. WIDTH INCHES	DOOR OPNG. WIDTH INCHES		*EXT.(+)	INT.(-)	*EXT.(+)	INT.(-)
36	72	85-3/4	90.0	90.0	100.0	100.0
48	96		90.0	90.0	100.0	100.0
36	72	97-3/4	90.0	90.0	100.0	100.0
48	96		-	-	100.0	100.0
36	72	109-3/4	-	-	100.0	100.0
48	96		-	-	100.0	100.0
36	72	120	-	-	100.0	100.0
48	96		-	-	100.0	100.0
			UN-REINFORCED MTG. STILES		REINFORCED MTG. STILES	

NOTE: DOOR OPNG HEIGHT = DOOR FRAME HEIGHT - 1 3/4"

\* SEE SHEET 9 FOR SILL TYPES QUALIFIED FOR WATER INFILTRATION RESISTANCE (POSITIVE DESIGN PRESSURE) LIMITED

NOTE: GLASS CAPACITIES ON THIS SHEET ARE BASED ON ASTM E1300-09 (3 SEC. GUSTS) AND FLORIDA BUILDING COMMISSION DECLARATORY STATEMENT DCA05-DEC-219

Sealed: 7/12/2023



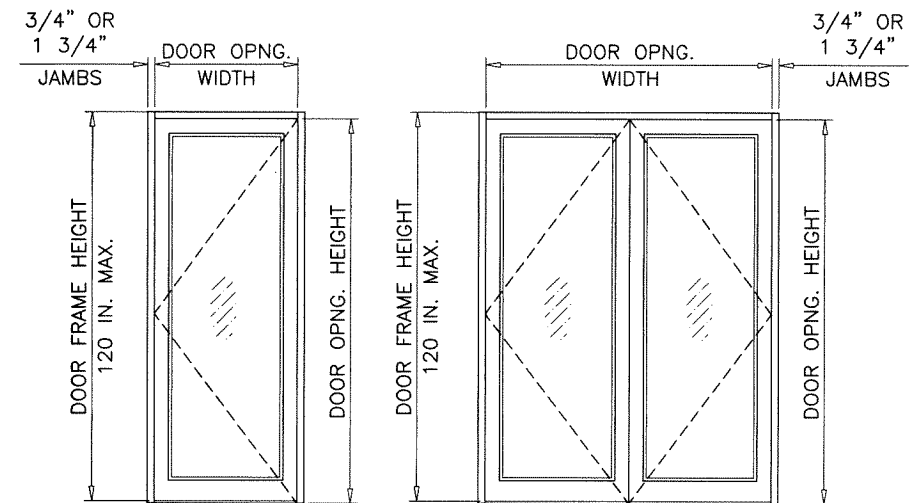
FL #17682

**af c**  
**AL-FAROOQ CORPORATION**  
 ENGINEERS & PRODUCT DEVELOPMENT  
 9360 SUNSET DRIVE, SUITE 220 (C.A.N. 3538)  
 MIAMI, FLORIDA 33173 FAX. (305) 262-6978  
 TEL. (305) 264-8100 COMP-ANL\21-38F-AAG

SERIES 'SUMMIT' ALUMINUM OUT-SWING DOOR (L.M.I.)  
**Aldora Aluminum & Glass Products Inc.**  
 4250 Coral Ridge Drive, Suite 101  
 Coral Springs, FL. 33065  
 Tel. (954) 784-6900 Fax. (954) 784-6901

revisions:	no.	date	description
date:	05-04-21	scale:	3/8" = 1"
dr. by:	TARIO	chk. by:	
drawing no.	21-38F		
sheet	3 of 22		

GLAZING DETAILS LEVEL 'D' IMPACT



( X )

( XX )

DESIGN LOAD CAPACITY - PSF (GLASS)						
SINGLE (X)	DOUBLE (XX)	FRAME HEIGHT INCHES	LOCK OPTIONS 1, 1A, 2, 3, 4 5, 6, 7 & 8		LOCK OPTIONS 1, 1A, 2, 3 7 & 8	
			GLASS TYPE 'H' & 'Hi'		GLASS TYPES 'H' & 'Hi'	
DOOR OPNG. WIDTH INCHES	DOOR OPNG. WIDTH INCHES		*EXT.(+)	INT.(-)	*EXT.(+)	INT.(-)
36	72	85-3/4	65.0	65.0	100.0	100.0
48	96		65.0	65.0	100.0	100.0
36	72	97-3/4	65.0	65.0	100.0	100.0
48	96		65.0	65.0	100.0	100.0
36	72	109-3/4	65.0	65.0	100.0	100.0
48	96		65.0	65.0	100.0	100.0
36	72	118"	65.0	65.0	100.0	100.0
48	96		65.0	65.0	100.0	100.0
36	72	120	-	-	100.0	100.0
48	96		-	-	100.0	100.0
			UN-REINFORCED MTG. STILES		REINFORCED MTG. STILES	

NOTE: DOOR OPNG HEIGHT = DOOR FRAME HEIGHT - 1 3/4"

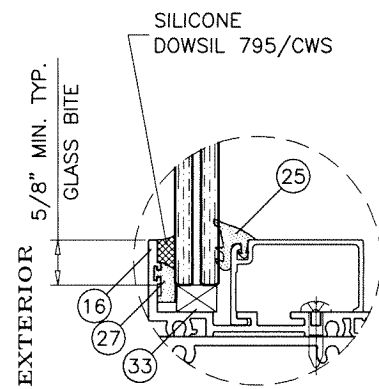
\* SEE SHEET 9 FOR SILL TYPES QUALIFIED FOR WATER INFILTRATION RESISTANCE (POSITIVE DESIGN PRESSURE) LIMITED

NOTE: GLASS CAPACITIES ON THIS SHEET ARE BASED ON ASTM E1300-09 (3 SEC. GUSTS) AND FLORIDA BUILDING COMMISSION DECLARATORY STATEMENT DCA05-DEC-219

Sealed: 7/12/2023

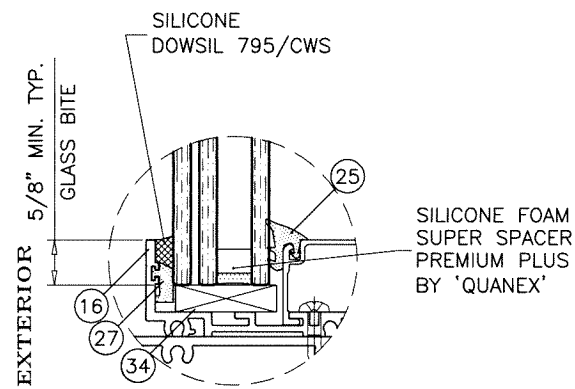


FL #17682

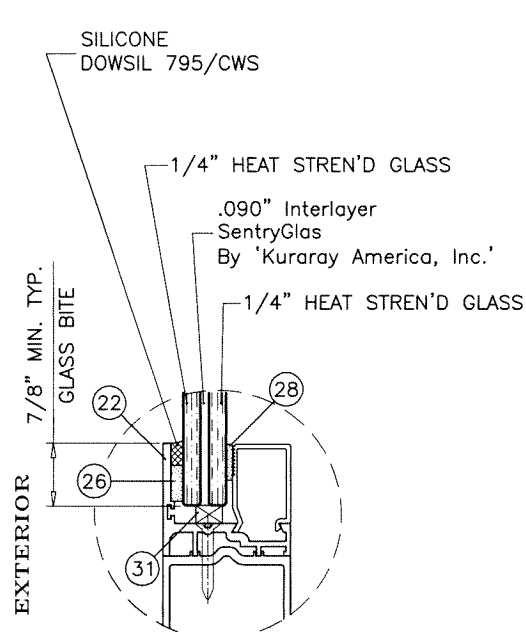


GLASS TYPE 'H'  
9/16" LAM. GLASS

GLAZING DETAIL TRANSOM

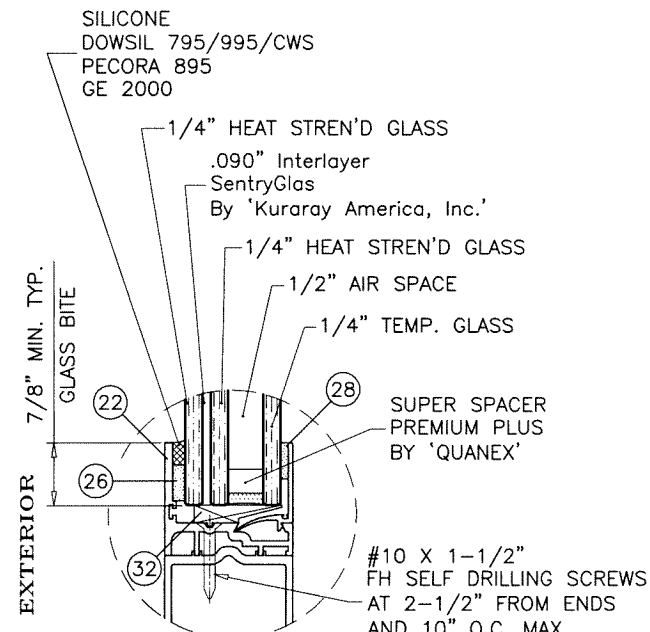


GLASS TYPE 'Hi'  
1-5/16" OVERALL INSUL. LAM. GLASS



GLASS TYPE 'H'  
9/16" LAM. GLASS

GLAZING DETAILS DOOR LEAF



GLASS TYPE 'Hi'  
1-5/16" OVERALL INSUL. LAM. GLASS

**af c**  
AL-FAROOQ CORPORATION  
ENGINEERS & PRODUCT DEVELOPMENT  
9360 SUNSET DRIVE, SUITE 220 (C.A.N. 3538)  
MIAMI, FLORIDA 33173  
TEL. (305) 264-8100 FAX. (305) 262-6978  
COMP-ANL\21-38F-AAG

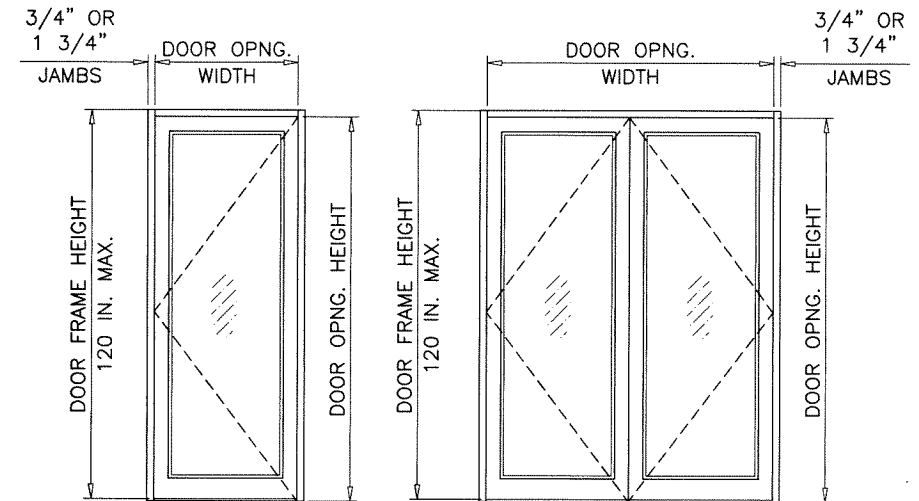
SERIES 'SUMMIT' ALUMINUM OUT-SWING DOOR (L.M.I.)  
Aldora Aluminum & Glass Products Inc.  
4250 Coral Ridge Drive, Suite 101  
Coral Springs, FL. 33065  
Tel. (954) 784-6900 Fax. (954) 784-6901

revisions:	no	date	by	description

date: 05-04-21  
scale: 3/8" = 1"  
dr. by: TARIQ  
chk. by:

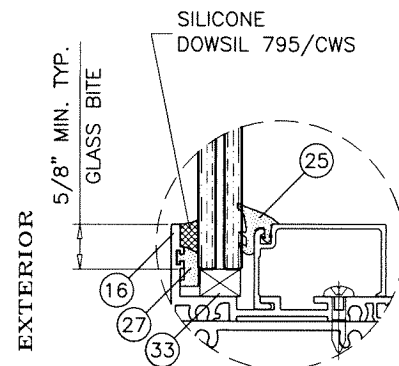
drawing no.  
21-38F  
sheet 3.1 of 22

**GLAZING DETAILS LEVEL 'E' IMPACT**

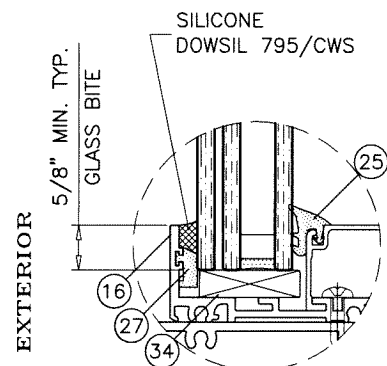


( X )

( XX )

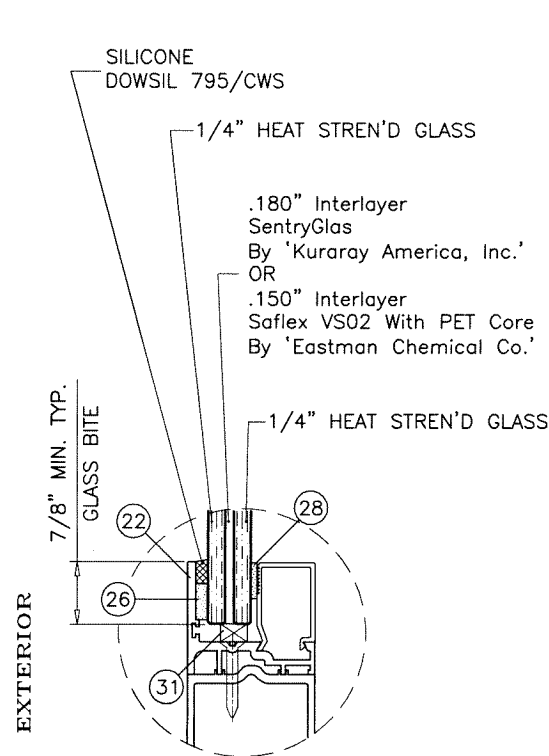


**GLASS TYPES 'J'**  
9/16" LAM. GLASS

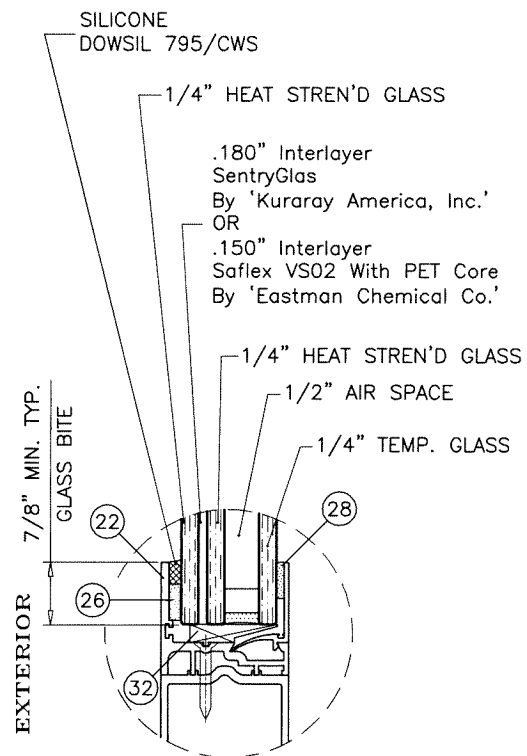


**GLASS TYPE 'Ji'**  
1-5/16" OVERALL INSUL. LAM. GLASS

**GLAZING DETAIL TRANSOM**



**GLASS TYPE 'J'**  
9/16" LAM. GLASS



**GLASS TYPE 'Ji'**  
1-5/16" OVERALL INSUL. LAM. GLASS

**GLAZING DETAILS DOOR LEAF**

DESIGN LOAD CAPACITY - PSF (GLASS)				
DOOR OPNG. WIDTH INCHES	DOOR OPNG. WIDTH INCHES	FRAME HEIGHT INCHES	LOCK OPTIONS 1, 1A, 6 & 7	
			GLASS TYPES 'J' & 'Ji'	
			*EXT.(+)	INT.(-)
36	72	85-3/4	100.0	100.0
48	96		100.0	100.0
36	72	97-3/4	100.0	100.0
48	96		100.0	100.0
36	72	109-3/4	100.0	100.0
48	96		100.0	100.0
36	72	120	100.0	100.0
48	96		100.0	100.0

NOTE: DOOR OPNG HEIGHT = DOOR FRAME HEIGHT - 1 3/4"

\* SEE SHEET 9 FOR SILL TYPES QUALIFIED FOR WATER INFILTRATION RESISTANCE (POSITIVE DESIGN PRESSURE) LIMITED

NOTE: GLASS CAPACITIES ON THIS SHEET ARE BASED ON ASTM E1300-09 (3 SEC. GUSTS) AND FLORIDA BUILDING COMMISSION DECLARATORY STATEMENT DCA05-DEC-219

Sealed: 7/12/2023



FL #17682

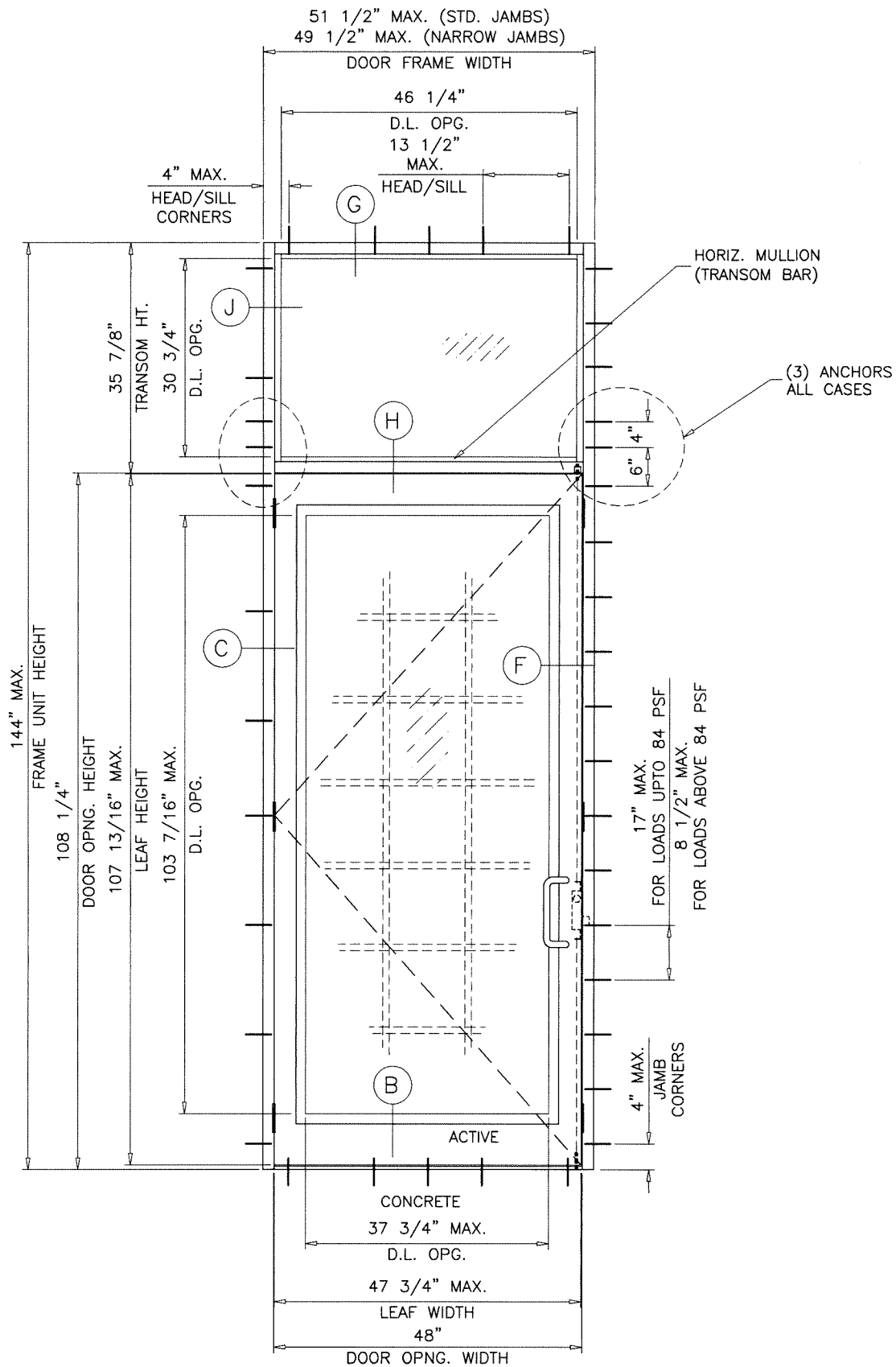
**AL-FAROOQ CORPORATION**  
ENGINEERS & PRODUCT DEVELOPMENT  
9360 SUNSET DRIVE, SUITE 220  
MIAMI, FLORIDA 33173 (C.A.N. 3538)  
TEL. (305) 264-8100 FAX. (305) 262-6978  
COMP-ANL 21-38F-AAG

SERIES 'SUMMIT' ALUMINUM OUT-SWING DOOR (L.M.I.)  
**Adora Aluminum & Glass Products Inc.**  
4250 Coral Ridge Drive, Suite 101  
Coral Springs, FL. 33065  
Tel. (954) 784-6900 Fax. (954) 784-6901

revisions:	no	date	by	description

date: 05-04-21  
scale: 3/8" = 1"  
dr. by: TARIQ  
chk. by:

drawing no.  
**21-38F**  
sheet 4 of 22



( O/X )  
**TYPICAL ELEVATION**  
 DOOR W/ TRANSOM

DLO WIDTH (TRANSOM) = DOOR FRAME WIDTH - 5.25" (STD. JAMBS)  
 = DOOR FRAME WIDTH - 3.25" (NARROW JAMBS)  
 DLO HEIGHT (TRANSOM) = TRANSOM HEIGHT - 5.125"

NOTE:  
 FOR DOORS CAPACITY SEE SHEETS 3 AND 4.  
 FOR HORIZONTAL MULLION (TRANSOM BAR) CAPACITY SEE SHEET 7.  
 LOWER VALUES FROM DOORS OR HORIZONTAL MULLION (TRANSOM BAR) CHART  
 WILL APPLY TO ENTIRE SYSTEM.

Sealed: 7/12/2023



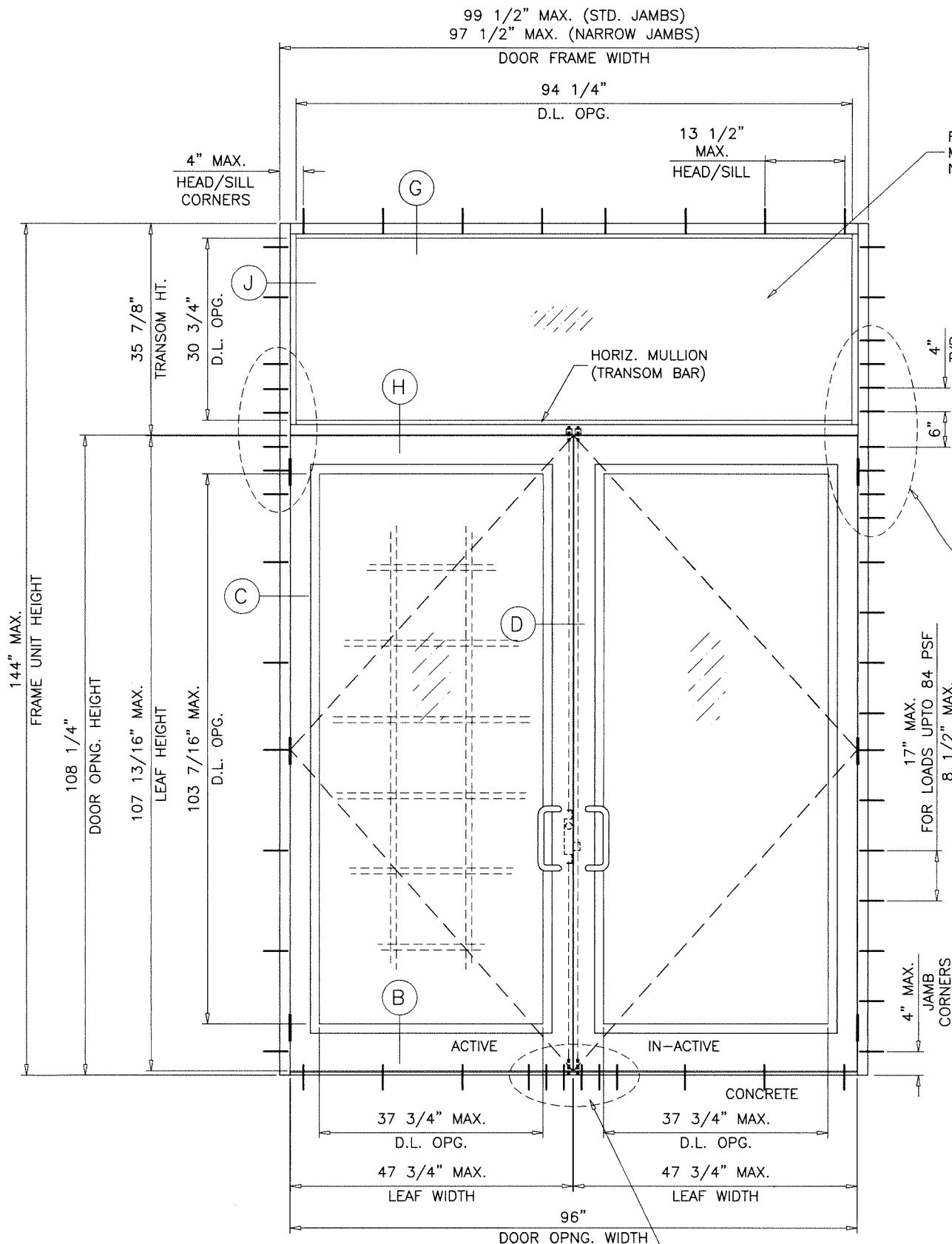
FL #17682

**afc**  
**AL-FAROOQ CORPORATION**  
 ENGINEERS & PRODUCT DEVELOPMENT  
 9360 SUNSET DRIVE, SUITE 220 (C.A.N. 3538)  
 MIAMI, FLORIDA 33173  
 TEL. (305) 264-8100 FAX. (305) 262-6978  
 COMP-ANL\21-38F-AAG

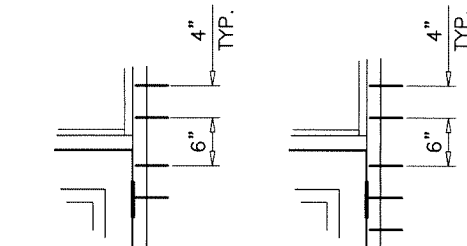
SERIES 'SUMMIT' ALUMINUM OUT-SWING DOOR (L.M.I.)  
**Aldora Aluminum & Glass Products Inc.**  
 4250 Coral Ridge Drive, Suite 101  
 Coral Springs, FL. 33065  
 Tel. (954) 784-6900 Fax. (954) 784-6901

revisions:	
no.	description

date: 05-04-21  
 scale: 1/2"=1'-0"  
 dr. by: TARIQ  
 chk. by:  
 drawing no.  
**21-38F**  
 sheet 5 of 22



FOR LEVEL 'E' GLASS TYPES  
 MAXIMUM TRANSOM AREA  
 NOT TO EXCEED 16 SQ. FT.



SUBSTRATE	NO. OF ANCHORS AT TRANSOM ENDS	
	WITHOUT REINF.	WITH REINF.
WOOD	5	6
MASONRY	5	8
CONCRETE	4	4
METAL	4	5

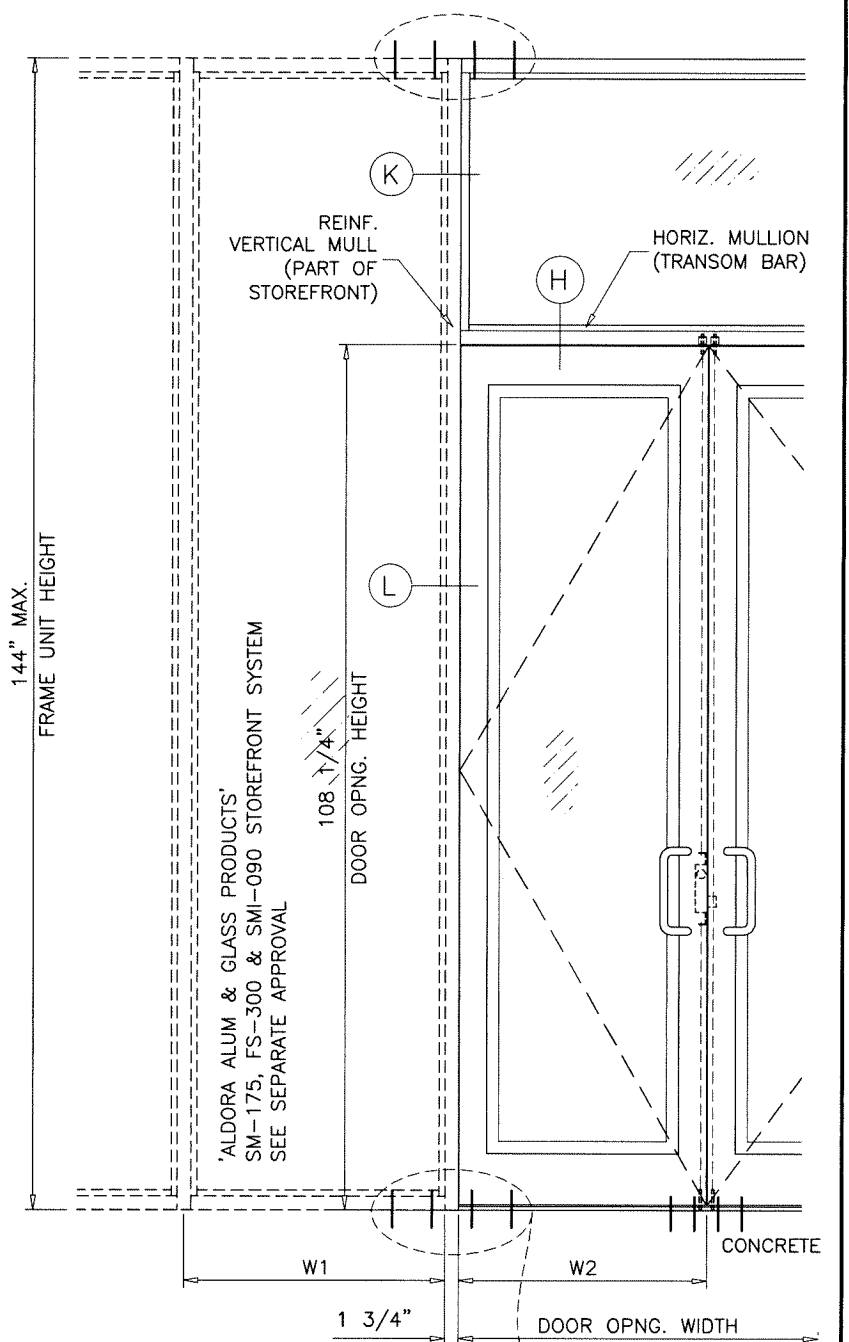
17\"/>
 8 1/2\"/>
 FOR LOADS ABOVE 84 PSF

( O/XX )  
**TYPICAL ELEVATION**  
 DOOR W/ TRANSOM

(6) ANCHORS TYPE 'B'  
 AT MTG. STILE ENDS  
 AT 3\"/>

DLO WIDTH (TRANSOM) = DOOR FRAME WIDTH - 5.25\"/>
 = DOOR FRAME WIDTH - 3.25\"/>
 DLO HEIGHT (TRANSOM) = TRANSOM HEIGHT - 5.125\"/>

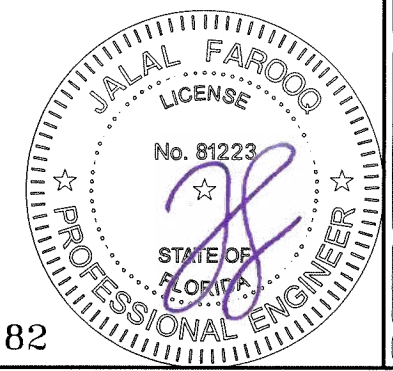
NOTE:  
 FOR DOORS CAPACITY SEE SHEETS 3 AND 4.  
 FOR HORIZONTAL MULLION (TRANSOM BAR) CAPACITY SEE SHEET 8.  
 LOWER VALUES FROM DOORS OR HORIZONTAL MULLION (TRANSOM BAR) CHART  
 WILL APPLY TO ENTIRE SYSTEM.



$$\text{VERT. MULLION TRIB. WIDTH (W)} = \frac{W1 + W2}{2} + 1.750$$

ANCHORS AT  
 DOOR MULLION  
 SEE SEPARATE APPROVAL  
 TO BE REVIEWED BY  
 BLDG. OFFICIAL

Sealed: 7/12/2023



FL #17682

**afc**  
**AL-FAROOQ CORPORATION**  
 ENGINEERS & PRODUCT DEVELOPMENT  
 9360 SUNSET DRIVE, SUITE 220 (C.A.N. 3538)  
 MIAMI, FLORIDA 33173  
 TEL. (305) 264-8100 FAX. (305) 262-6978  
 COMP-ANL 21-38F-AAG

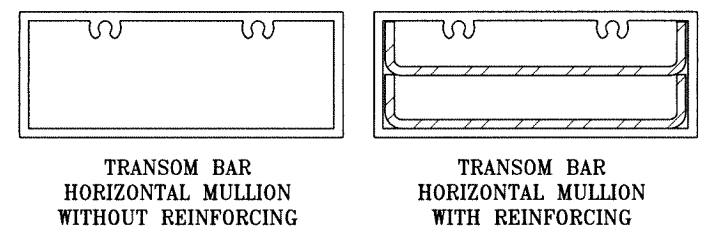
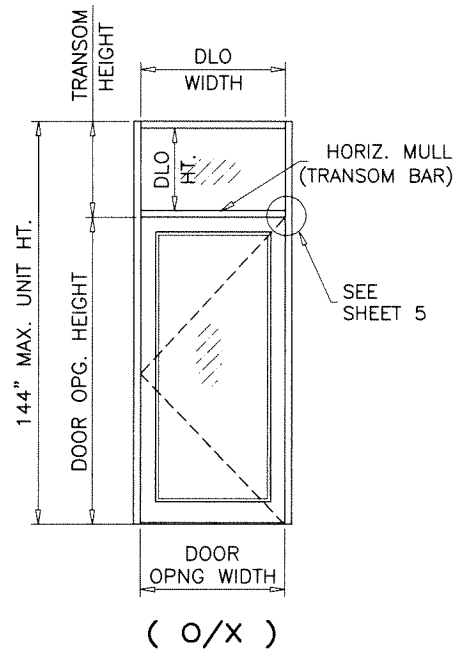
SERIES 'SUMMIT' ALUMINUM OUT-SWING DOOR (L.M.I.)  
**Aldora Aluminum & Glass Products Inc.**  
 4250 Coral Ridge Drive, Suite 101  
 Coral Springs, FL. 33065  
 Tel. (954) 784-6900 Fax. (954) 784-6901

no.	date	description

date: 05-04-21  
 scale: 1/2"=1'-0"  
 dr. by: TARIQ  
 chk. by:  
 drawing no.  
**21-38F**  
 sheet 6 of 22

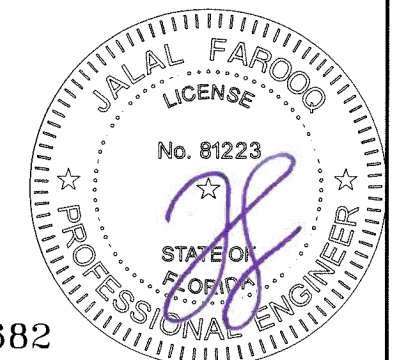
SINGLE DOOR HORIZONTAL MULLION (TRANSOM BAR)				
DESIGN LOAD CAPACITY				
NOMINAL DIMS.			GLASS E, F, G H, Hi, J, Ji	GLASS C, D H, Hi, J, Ji
OPNG. WIDTH INCHES	DOOR OPNG. HEIGHT INCHES	TRANSOM HEIGHT INCHES	WITHOUT REINF.	WITH REINF.
			*EXT. (+) INT. (-)	*EXT. (+) INT. (-)
36	84	20	100.0	100.0
		24	100.0	100.0
		26	100.0	100.0
		28	100.0	100.0
		32	100.0	100.0
		36	-	100.0
		40	-	100.0
		44	-	91.0
42	84	20	89.0	100.0
		24	85.7	100.0
		26	84.1	100.0
		28	-	100.0
		32	-	100.0
		36	-	100.0
		40	-	100.0
		44	-	91.0
48	84	20	67.4	100.0
		24	64.9	100.0
		26	-	100.0
		28	-	100.0
		32	-	100.0
		36	-	100.0
		40	-	100.0
		44	-	91.0
36	96"	20	100.0	100.0
		24	100.0	100.0
		26	100.0	100.0
		28	100.0	100.0
		32	99.6	100.0
		36	-	100.0
		40	-	100.0
		44	-	91.0
42	96"	20	79.8	100.0
		24	77.1	100.0
		26	75.9	100.0
		28	-	100.0
		32	-	100.0
		36	-	100.0
		40	-	100.0
		44	-	91.0
48	96"	20	60.4	100.0
		24	58.4	100.0
		26	-	100.0
		28	-	100.0
		32	-	100.0
		36	-	100.0
		40	-	100.0
		42	-	95.7

SINGLE DOOR HORIZONTAL MULLION (TRANSOM BAR)				
DESIGN LOAD CAPACITY				
NOMINAL DIMS.			GLASS E, F, G H, Hi, J, Ji	GLASS C, D H, Hi, J, Ji
OPNG. WIDTH INCHES	DOOR OPNG. HEIGHT INCHES	TRANSOM HEIGHT INCHES	WITHOUT REINF.	WITH REINF.
			*EXT. (+) INT. (-)	*EXT. (+) INT. (-)
36	108	20	99.6	100.0
		24	96.6	100.0
		26	95.2	100.0
		28	93.8	100.0
		32	91.1	100.0
		36	-	100.0
		42	-	100.0
		48	-	100.0
42	108	20	72.3	100.0
		24	70.1	100.0
		26	69.1	100.0
		28	-	100.0
		32	-	100.0
		36	-	100.0
		42	-	100.0
		48	-	100.0
36	118	20	54.7	100.0
		24	53.1	100.0
		26	-	100.0
		28	-	100.0
		32	-	97.3
		36	-	94.6
		42	-	100.0
		48	-	100.0
42	118	20	92.4	100.0
		24	89.8	100.0
		26	88.6	100.0
		28	67.1	100.0
		32	65.2	100.0
		36	64.3	100.0
		42	53.9	100.0
		48	-	100.0
46	118	20	-	100.0
		24	-	100.0
		26	-	100.0
		28	50.8	98.7
		32	49.3	95.9
		36	-	94.6
		42	91.1	100.0
		48	88.6	100.0
36	120	20	87.3	100.0
		24	86.1	100.0
		26	66.1	100.0
		28	64.3	100.0
		32	63.4	100.0
		36	53.2	100.0
		42	52.4	100.0
		48	50.0	100.0
42	120	20	48.6	97.3
		24	48.6	94.6
		26	-	100.0
		28	-	100.0
		32	-	100.0
		36	-	100.0
		40	-	100.0
		42	-	95.7



NOTE:  
FOR DOORS CAPACITY SEE SHEETS 3 AND 4.  
FOR HORIZONTAL MULLION (TRANSOM BAR) CAPACITY SEE CHART ABOVE.  
LOWER VALUES FROM DOORS OR HORIZONTAL MULLION (TRANSOM BAR)  
CHART WILL APPLY TO ENTIRE SYSTEM.

Sealed: 7/12/2023



\*  
SEE SHEET 9 FOR SILL TYPES QUALIFIED  
FOR WATER INFILTRATION RESISTANCE  
(POSITIVE DESIGN PRESSURE) LIMITED

FL #17682

**afc**

**AL-FAROOQ CORPORATION**  
ENGINEERS & PRODUCT DEVELOPMENT  
9360 SUNSET DRIVE, SUITE 220 (C.A.N. 3538)  
MIAMI, FLORIDA 33173 TEL. (305) 264-8100 FAX. (305) 262-6978  
COMP-ANL \ 21-38F-AAG

---

SERIES 'SUMMIT' ALUMINUM OUT-SWING DOOR (L.M.I.)  
**Aldora Aluminum & Glass Products Inc.**  
4250 Coral Ridge Drive, Suite 101  
Coral Springs, FL. 33065  
Tel. (954) 784-6900 Fax. (954) 784-6901

revisions:	no	date	by	description

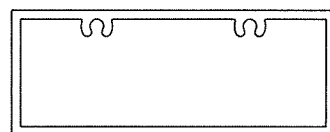
date: 05-04-21  
scale: 3/8" = 1"  
dr. by: TARIQ  
chk. by:

drawing no.  
**21-38F**  
sheet 7 of 22

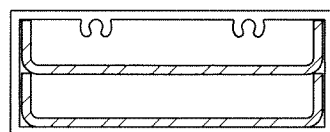


DOUBLE DOOR HORIZONTAL MULLION (TRANSOM BAR)				
DESIGN LOAD CAPACITY				
NOMINAL DIMS.			GLASS E, F, G H, Hi, J, Ji	GLASS C, D H, Hi, J, Ji
OPNG. WIDTH INCHES	DOOR OPNG. HEIGHT INCHES	TRANSOM HEIGHT INCHES	WITHOUT REINF.	WITH REINF.
			*EXT. (+) INT. (-)	*EXT. (+) INT. (-)
72		20	100.0	100.0
		24	100.0	100.0
		26	100.0	100.0
		28	100.0	100.0
		32	100.0	100.0
		36	-	100.0
		40	-	100.0
		44	-	91.0
84	84	20	89.0	100.0
		24	85.7	100.0
		26	84.1	100.0
		28	-	100.0
		32	-	100.0
		36	-	100.0
		40	-	100.0
		44	-	91.0
96		20	67.4	100.0
		24	64.9	100.0
		26	-	100.0
		28	-	100.0
		32	-	100.0
		36	-	100.0
		40	-	100.0
		72		20
24	100.0			100.0
26	100.0			100.0
28	100.0			100.0
32	99.6			100.0
36	-			100.0
40	-			100.0
44	-			91.0
84	96"	20	79.8	100.0
		24	77.1	100.0
		26	75.9	100.0
		28	-	100.0
		32	-	100.0
		36	-	100.0
		40	-	100.0
		44	-	91.0
96		20	60.4	100.0
		24	58.4	100.0
		26	-	100.0
		28	-	100.0
		32	-	100.0
		36	-	100.0
		40	-	100.0
		42	-	95.7

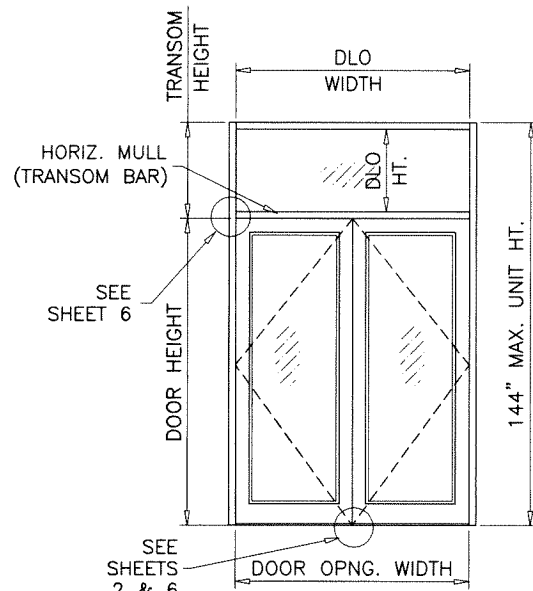
DOUBLE DOOR HORIZONTAL MULLION (TRANSOM BAR)								
DESIGN LOAD CAPACITY								
NOMINAL DIMS.			GLASS E, F, G H, Hi, J, Ji	GLASS C, D H, Hi, J, Ji				
OPNG. WIDTH INCHES	DOOR OPNG. HEIGHT INCHES	TRANSOM HEIGHT INCHES	WITHOUT REINF.	WITH REINF.				
			*EXT. (+) INT. (-)	*EXT. (+) INT. (-)				
72		20	99.6	100.0				
		24	96.6	100.0				
		26	95.2	100.0				
		28	93.8	100.0				
		32	91.1	100.0				
		36	-	100.0				
		84	108	20	72.3	100.0		
				24	70.1	100.0		
26	69.1			100.0				
28	-			100.0				
32	-			100.0				
36	-			100.0				
96				20	54.7	100.0		
				24	53.1	100.0		
		26	-	100.0				
		28	-	100.0				
		32	-	97.3				
		36	-	94.6				
		72		20	92.4	100.0		
				24	89.8	100.0		
26	88.6			100.0				
84	118			20	67.1	100.0		
				24	65.2	100.0		
				26	64.3	100.0		
				92		20	53.9	100.0
						24	-	100.0
		26	-			100.0		
		96				20	50.8	98.7
						24	49.3	95.9
26	-					94.6		
72						20	91.1	100.0
						24	88.6	100.0
				26	87.3	100.0		
				84	120	20	66.1	100.0
						24	64.3	100.0
		26	63.4			100.0		
		92				20	53.2	100.0
						24	52.4	100.0
26	50.0					100.0		
96						20	48.6	97.3
						24	48.6	94.6



TRANSOM BAR  
HORIZONTAL MULLION  
WITHOUT REINFORCING



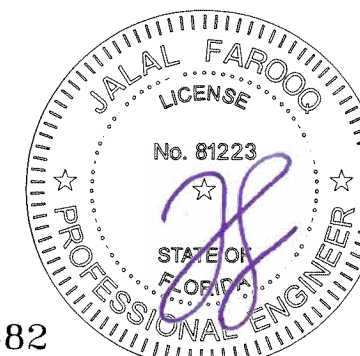
TRANSOM BAR  
HORIZONTAL MULLION  
WITH REINFORCING



( O/XX )

NOTE:  
FOR DOORS CAPACITY SEE SHEETS 3 AND 4.  
FOR HORIZONTAL MULLION (TRANSOM BAR) CAPACITY SEE CHART ABOVE.  
LOWER VALUES FROM DOORS OR HORIZONTAL MULLION (TRANSOM BAR)  
CHART WILL APPLY TO ENTIRE SYSTEM.  
FOR GLASS TYPES 'J' & 'Ji' MAXIMUM TRANSOM AREA NOT TO EXCEED 16 SQ. FT.

Sealed: 7/12/2023



\*  
SEE SHEET 9 FOR SILL TYPES QUALIFIED  
FOR WATER INFILTRATION RESISTANCE  
(POSITIVE DESIGN PRESSURE) LIMITED

FL #17682

**AL-FAROOQ CORPORATION**  
ENGINEERS & PRODUCT DEVELOPMENT  
9360 SUNSET DRIVE, SUITE 220  
MIAMI, FLORIDA 33173 (C.A.N. 3538)  
TEL. (305) 264-8100 FAX. (305) 262-6978  
COMP-ANL\21-38F-AAG

---

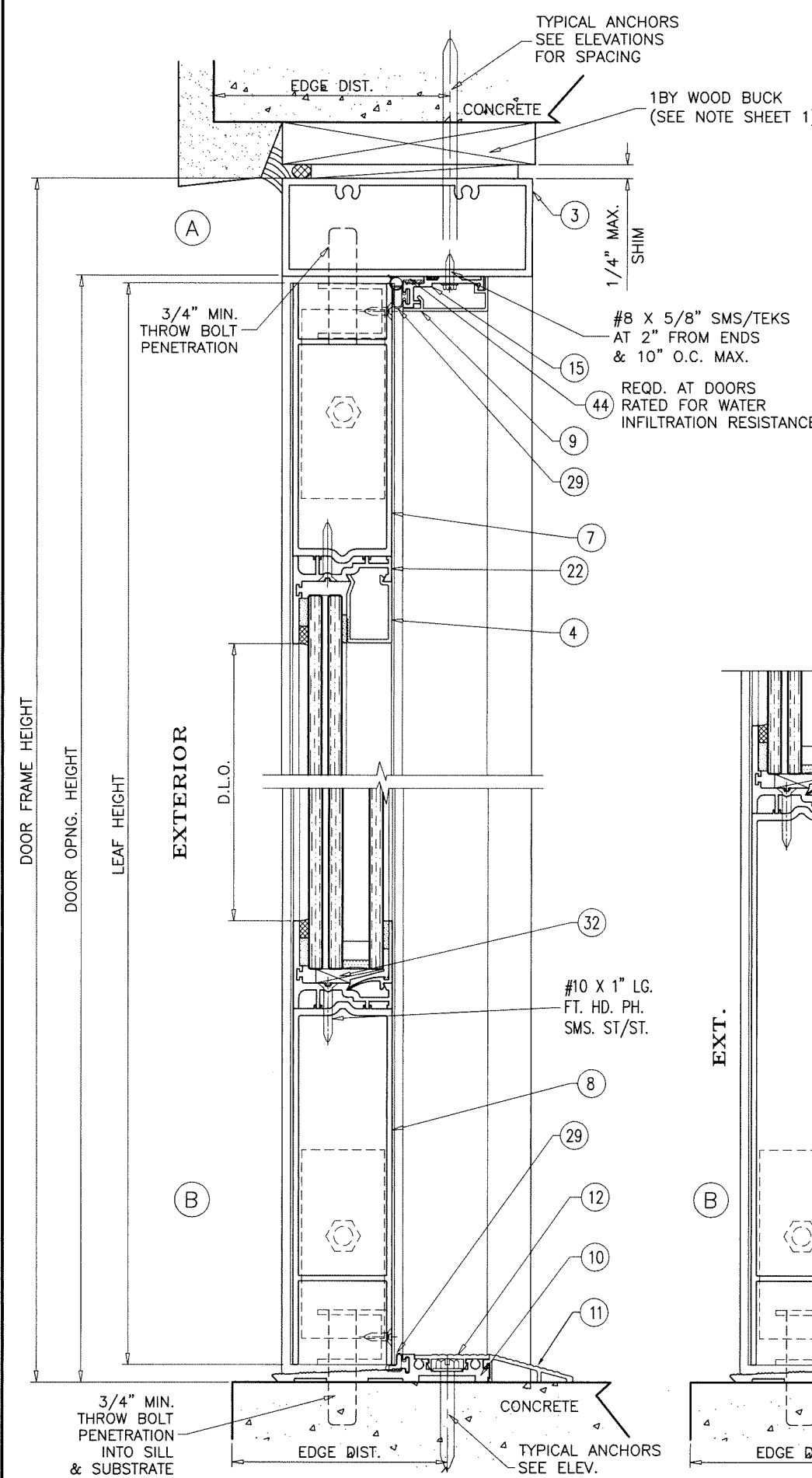
SERIES 'SUMMIT' ALUMINUM OUT-SWING DOOR (L.M.I.)

**Aldora Aluminum & Glass Products Inc.**  
4250 Coral Ridge Drive, Suite 101  
Coral Springs, FL 33065  
Tel. (954) 784-6900 Fax. (954) 784-6901

revisions:	no	date	by	description

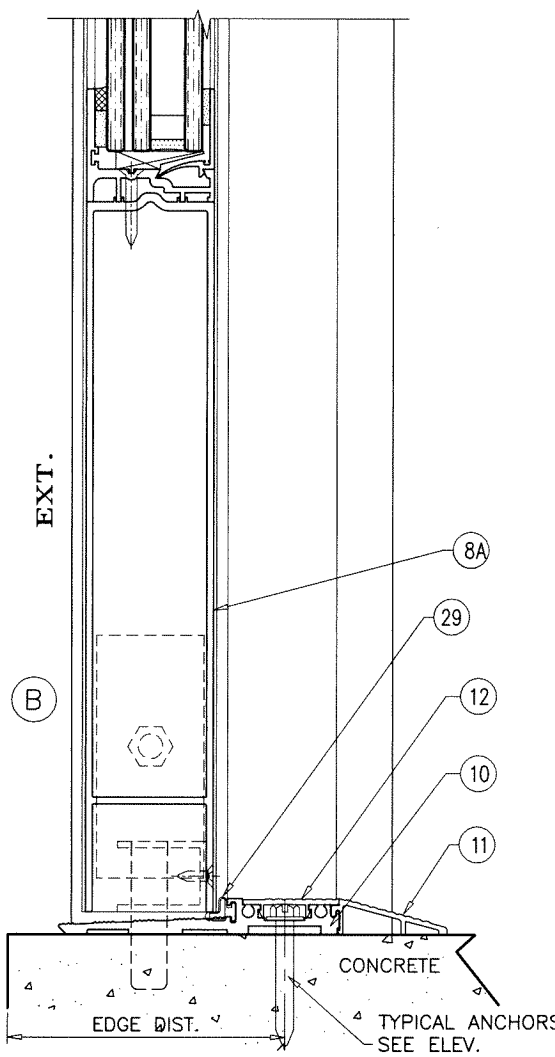
date: 05-04-21  
scale: 3/8" = 1"  
dr. by: TARIQ  
chk. by:

drawing no.  
**21-38F**  
sheet 8 of 22



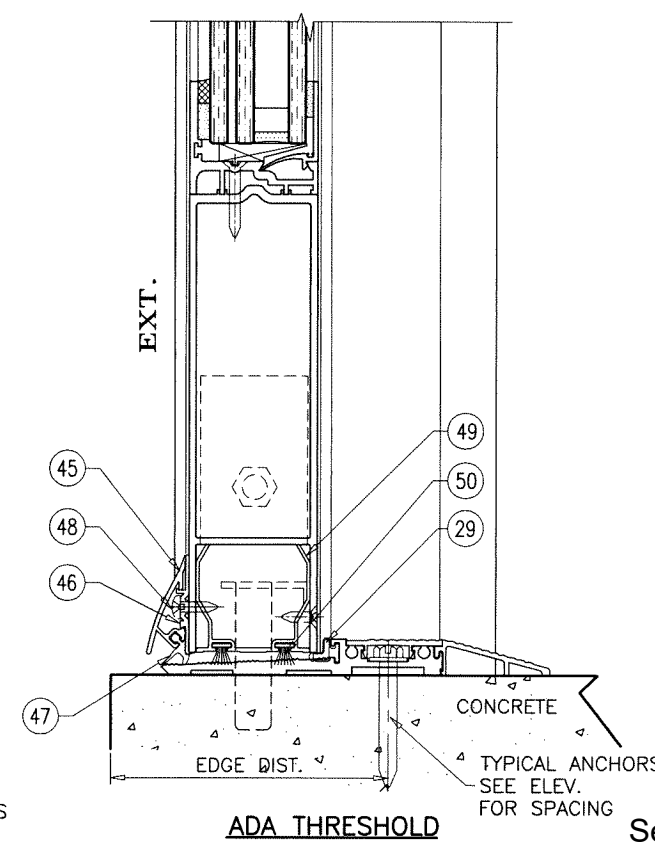
**ADA THRESHOLD**

NOT APPR'D FOR WATER INFILTRATION RESISTANCE



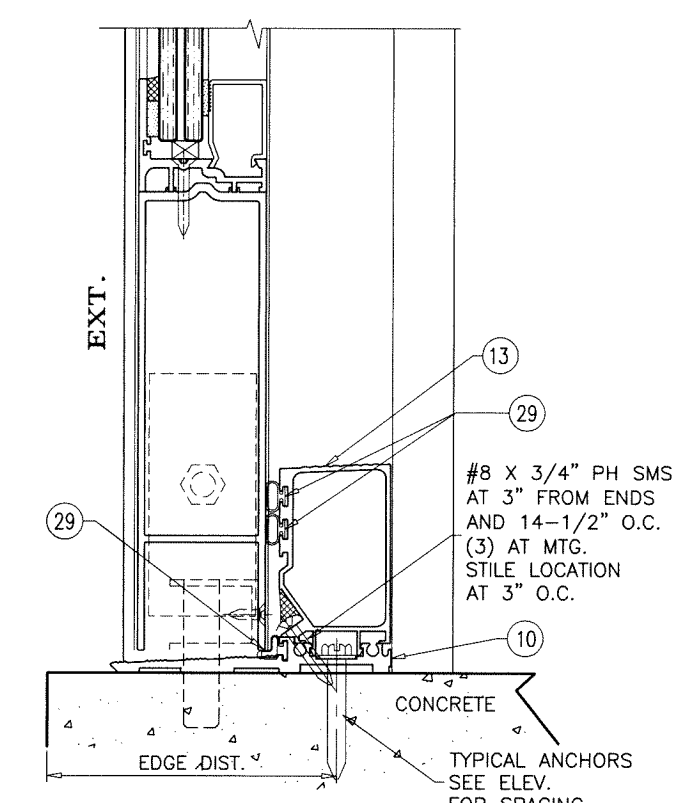
**ADA THRESHOLD**

NOT APPR'D FOR WATER INFILTRATION RESISTANCE



**ADA THRESHOLD**

APPR'D FOR WATER INFILTRATION RESISTANCE  
LIMIT MAX. EXT. LOADS TO +50.0 PSF  
NOT APPROVED WITH PANIC EXIT DEVICES  
FIELD CONDITIONS MUST BE PRE APPROVED BY 'ALDORA'

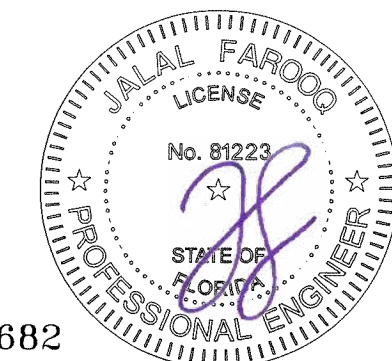


**HI-RISE THRESHOLD**

APPR'D FOR WATER INFILTRATION RESISTANCE  
LIMIT MAX. EXT. LOADS TO +100.0 PSF

Sealed: 7/12/2023

FL #17682



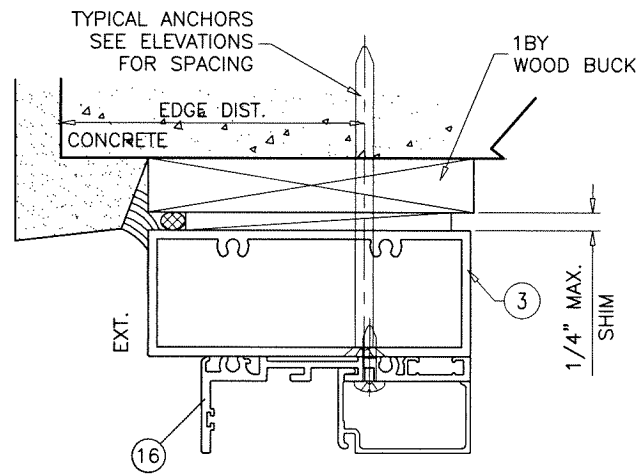
**af c**  
**AL-FAROOQ CORPORATION**  
 ENGINEERS & PRODUCT DEVELOPMENT  
 9360 SUNSET DRIVE, SUITE 220 (C.A.N. 3538)  
 MIAMI, FLORIDA 33173  
 TEL. (305) 264-8100 FAX. (305) 262-6978  
 COMP-ANL 21-38F-AAG

SERIES 'SUMMIT' ALUMINUM OUT-SWING DOOR (L.M.I.)  
**Aldora Aluminum & Glass Products Inc.**  
 4250 Coral Ridge Drive, Suite 101  
 Coral Springs, FL. 33065  
 Tel. (954) 784-6900 Fax. (954) 784-6901

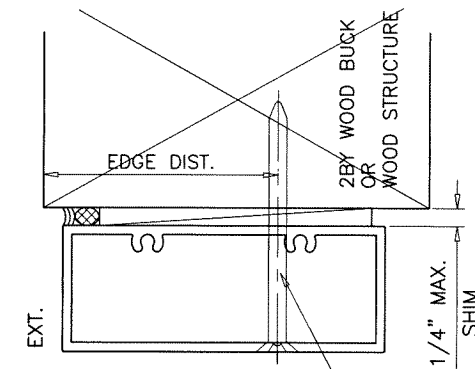
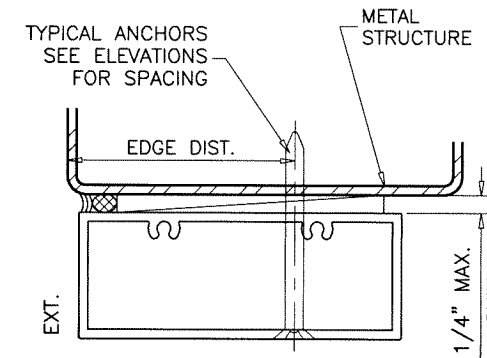
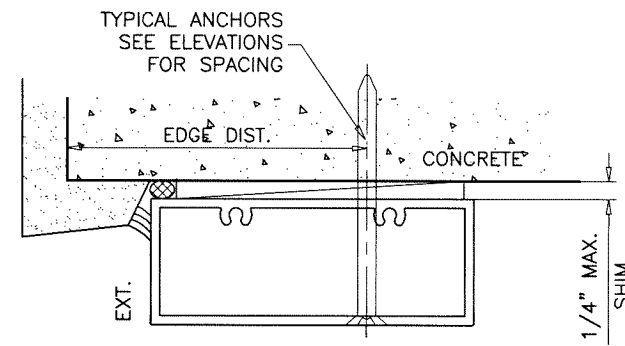
revisions:	no.	date	description

date: 05-04-21  
 scale: 3/8" = 1"  
 dr. by: TARIQ  
 chk. by:

drawing no.  
**21-38F**  
 sheet 9 of 22



TRANSOM HEADER



1BY OR 2BY WOOD BUCKS AND METAL STRUCTURE NOT BY 'ALDORA ALUMINUM AND GLASS PRODUCTS' MUST SUSTAIN LOADS IMPOSED BY GLAZING SYSTEM AND TRANSFER THEM TO THE BUILDING STRUCTURE.

**TYPICAL ANCHORS:** SEE ELEV. FOR SPACING

- TYPE 'A' - 1/4" DIA. ULTRACON+ BY 'DEWALT' (Fu=164 KSI, Fy=148 KSI)
  - INTO 2BY WOOD BUCKS OR WOOD STRUCTURES
  - 1-1/2" MIN. PENETRATION INTO WOOD (HEAD/JAMBS)
  - THRU 1BY BUCKS INTO CONC. OR BLOCKS
  - 1-1/2" MIN. EMBED INTO CONCRETE (HEAD/JAMBS)
  - 1-1/4" MIN. EMBED INTO BLOCKS (JAMBS)
  - DIRECTLY INTO BLOCKS
  - 1-3/4" MIN. EMBED INTO GROUT FILLED BLOCKS (JAMBS)

- TYPE 'B' - 1/4" DIA. ULTRACON+ BY 'DEWALT' (Fu=164 KSI, Fy=148 KSI)
  - DIRECTLY INTO CONCRETE
  - 1-1/2" MIN. EMBED INTO CONCRETE (HEAD/SILL/JAMBS)

- TYPE 'C' - #14 SMS OR SELF DRILLING SCREWS (GRADE 2 CRS)
  - INTO F.B.C. APPROVED MULLIONS
  - OR
  - INTO METAL STRUCTURES (HEAD/JAMBS)
  - (3) THREADS MIN. TO EXTEND BEYOND METAL THICKNESS
  - ALUMINUM: 1/8" THK. MIN. (6063-T5 MIN.)
  - STEEL: 1/8" THK. MIN. (Fy = 36 KSI MIN.)
  - (STEEL IN CONTACT WITH ALUMINUM TO BE PLATED OR PAINTED)

**TYPICAL EDGE DISTANCE**

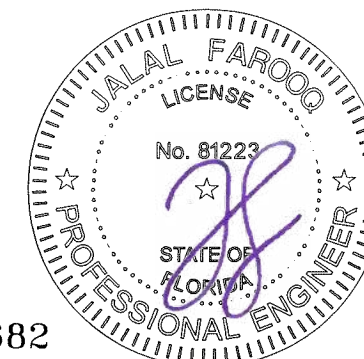
- INTO CONCRETE AND MASONRY = 2-1/2" MIN.
- INTO WOOD STRUCTURE = 1" MIN.
- INTO METAL STRUCTURE = 3/4" MIN.

**TYPICAL CL TO CL SPACING**

- INTO CONCRETE AND MASONRY = 3" MIN.
- INTO WOOD STRUCTURE = 1" MIN.
- INTO METAL STRUCTURE = 1" MIN.

- WOOD AT HEAD OR JAMBS SG = 0.55 MIN.
- CONCRETE AT HEAD, SILL OR JAMBS f'c = 3000 PSI MIN.
- C-90 HOLLOW/FILLED BLOCK AT JAMBS f'm = 2000 PSI MIN.

Sealed: 7/12/2023

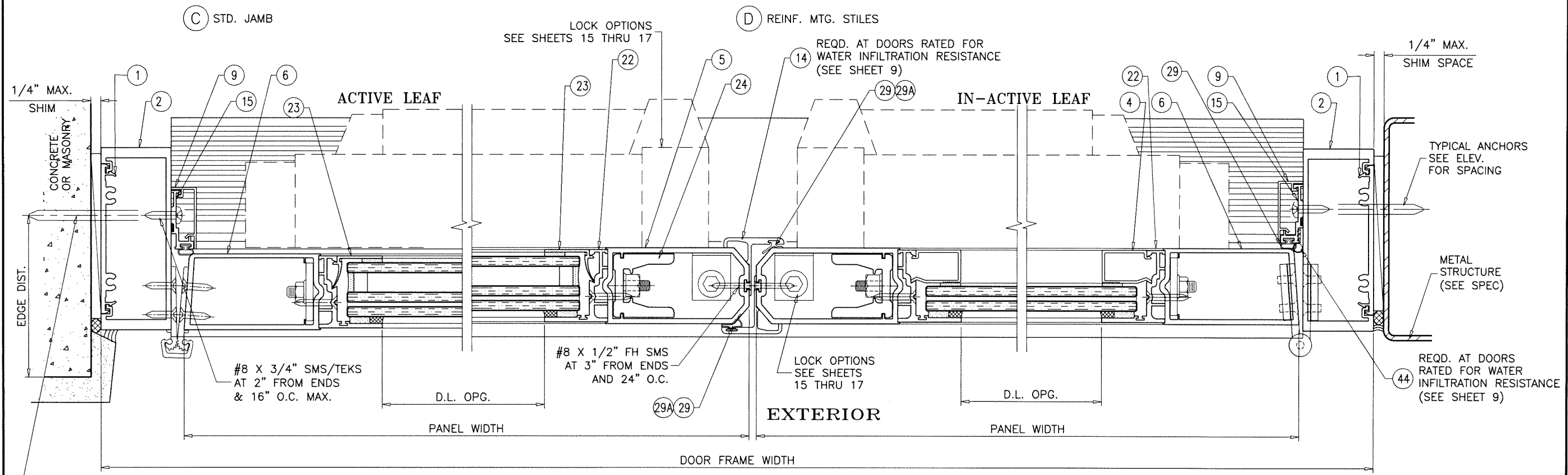


FL #17682

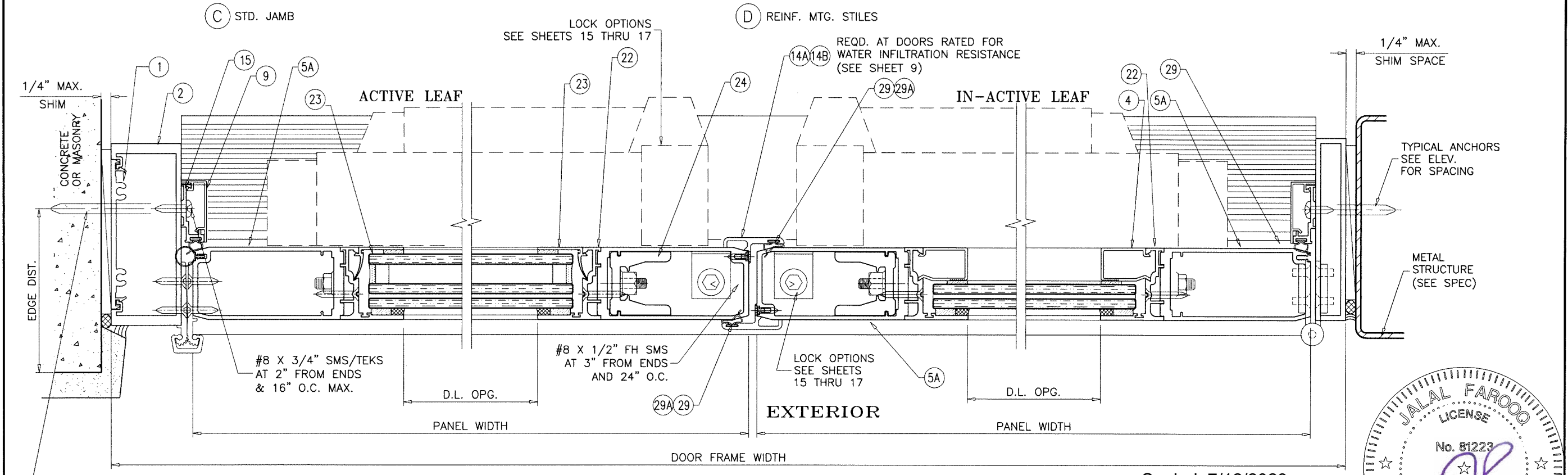
**af c**  
**AL-FAROOQ CORPORATION**  
 ENGINEERS & PRODUCT DEVELOPMENT  
 9360 SUNSET DRIVE, SUITE 220  
 MIAMI, FLORIDA 33173 (C.A.N. 3538)  
 TEL. (305) 264-8100 FAX. (305) 262-6978  
 COMP-ANL 21-38F-AAG

SERIES 'SUMMIT' ALUMINUM OUT-SWING DOOR (L.M.I.)  
**Aldora Aluminum & Glass Products Inc.**  
 4250 Coral Ridge Drive, Suite 101  
 Coral Springs, FL. 33065  
 Tel. (954) 784-6900 Fax. (954) 784-6901

revisions:	no.	date	description
date:	05-04-21	scale:	3/8" = 1"
dr. by:	TARIQ	chk. by:	
drawing no.	21-38F		
sheet	10 of 22		

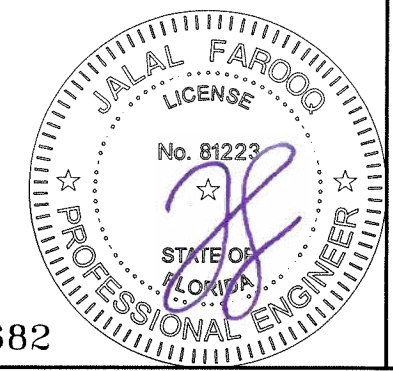


**STD. HINGE/ACTIVE/INACTIVE STILES**  
(RATED FOR LEVEL 'D' & LEVEL 'E' IMPACTS)



**H.D. HINGE/ACTIVE/INACTIVE STILES**  
(RATED FOR LEVEL 'D' IMPACT ONLY)

Sealed: 7/12/2023



**af c**  
**AL-FAROOQ CORPORATION**  
ENGINEERS & PRODUCT DEVELOPMENT  
9360 SUNSET DRIVE, SUITE 220 (C.A.N. 3538)  
MIAMI, FLORIDA 33173  
TEL. (305) 264-8100 FAX. (305) 262-6978  
COMP-ANL 21-38F-AAG

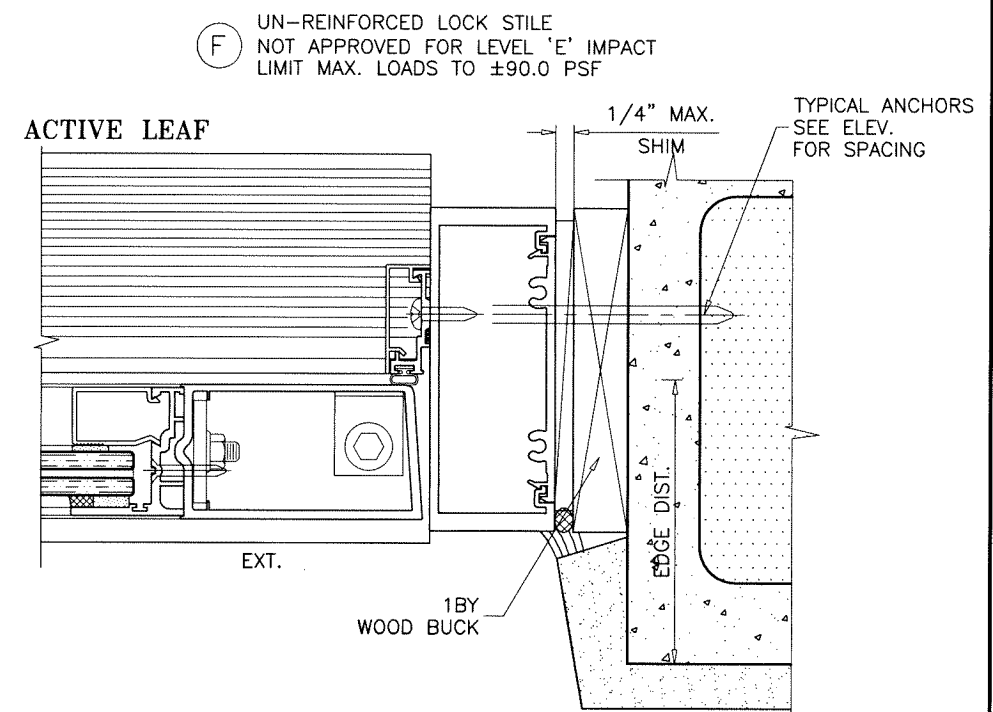
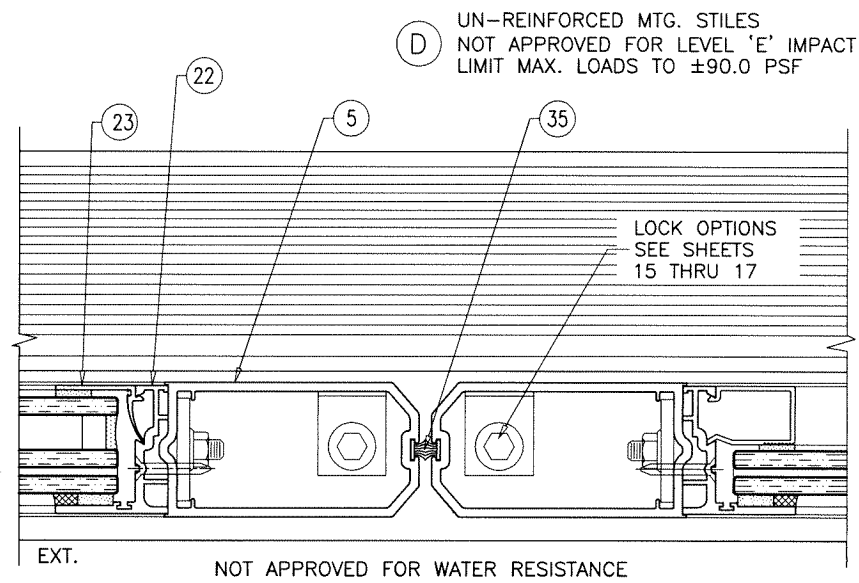
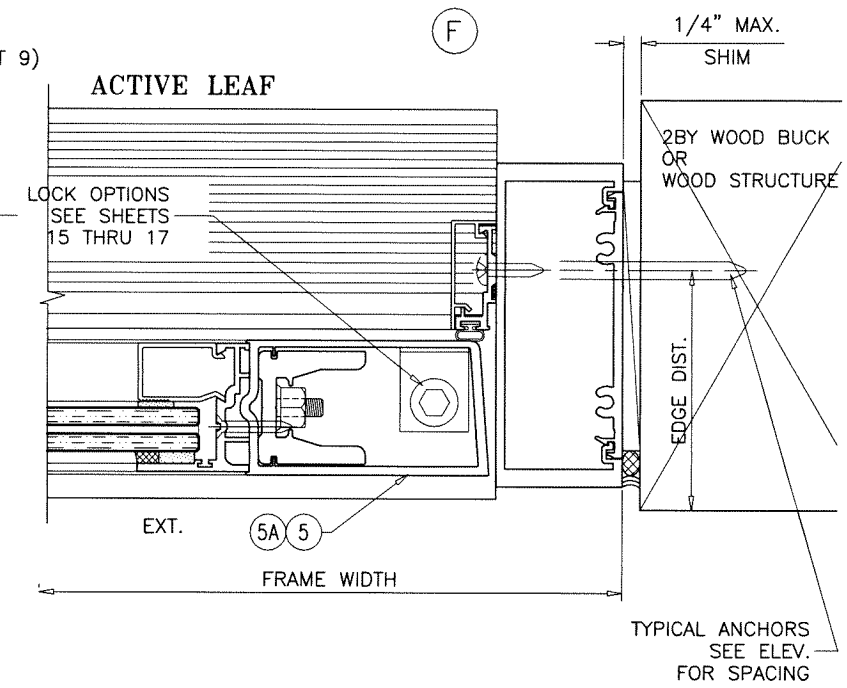
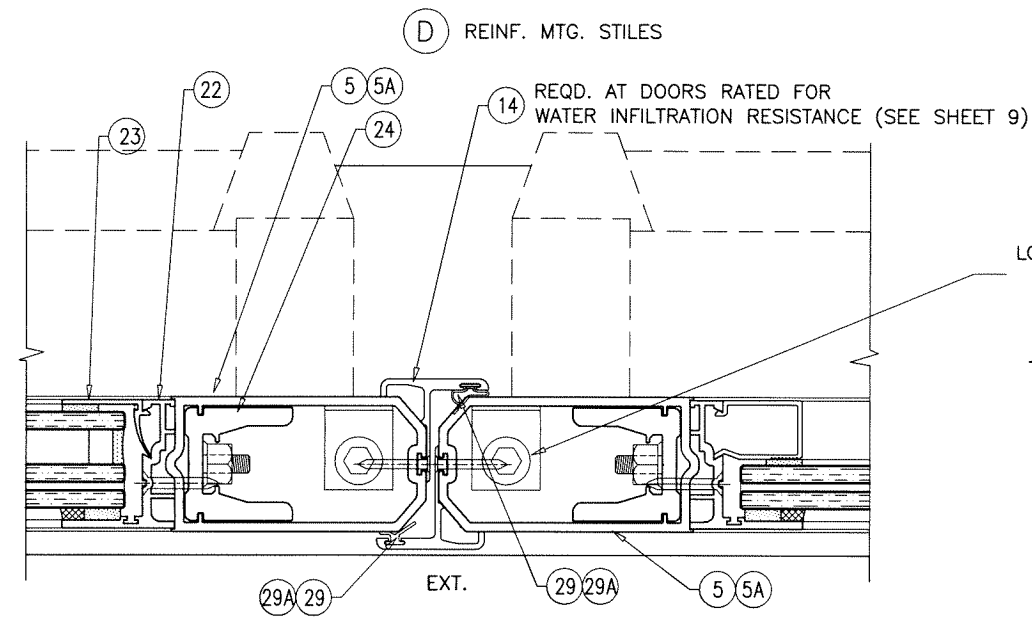
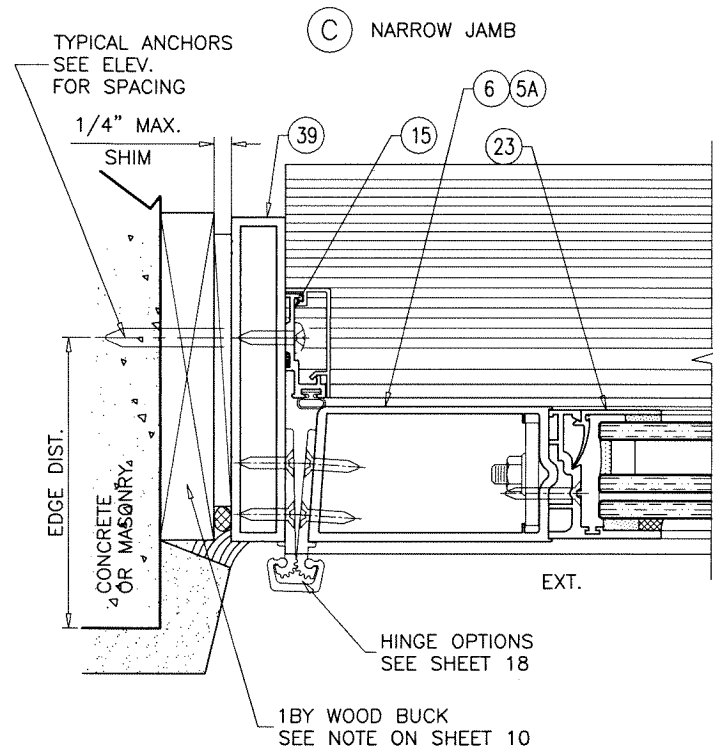
SERIES 'SUMMIT' ALUMINUM OUT-SWING DOOR (L.M.I.)  
**Aldora Aluminum & Glass Products Inc.**  
4250 Coral Ridge Drive, Suite 101  
Coral Springs, FL. 33065  
Tel. (954) 784-6900 Fax. (954) 784-6900

revisions:	no	date	by	description

date: 05-04-21  
scale: 3/8" = 1"  
dr. by: TARIQ  
chk. by:

drawing no.  
**21-38F**

sheet 11 of 22



Sealed: 7/12/2023



FL #17682

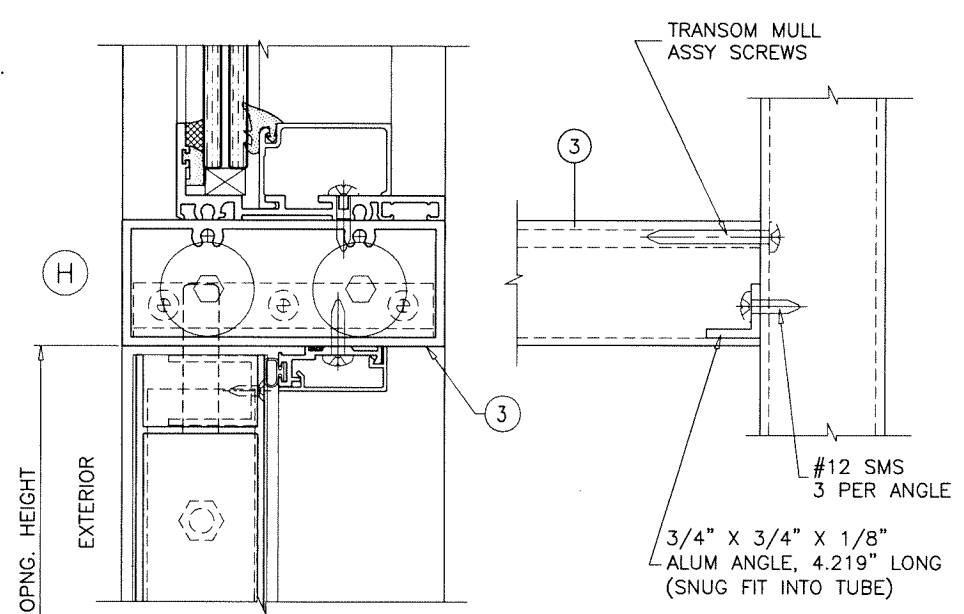
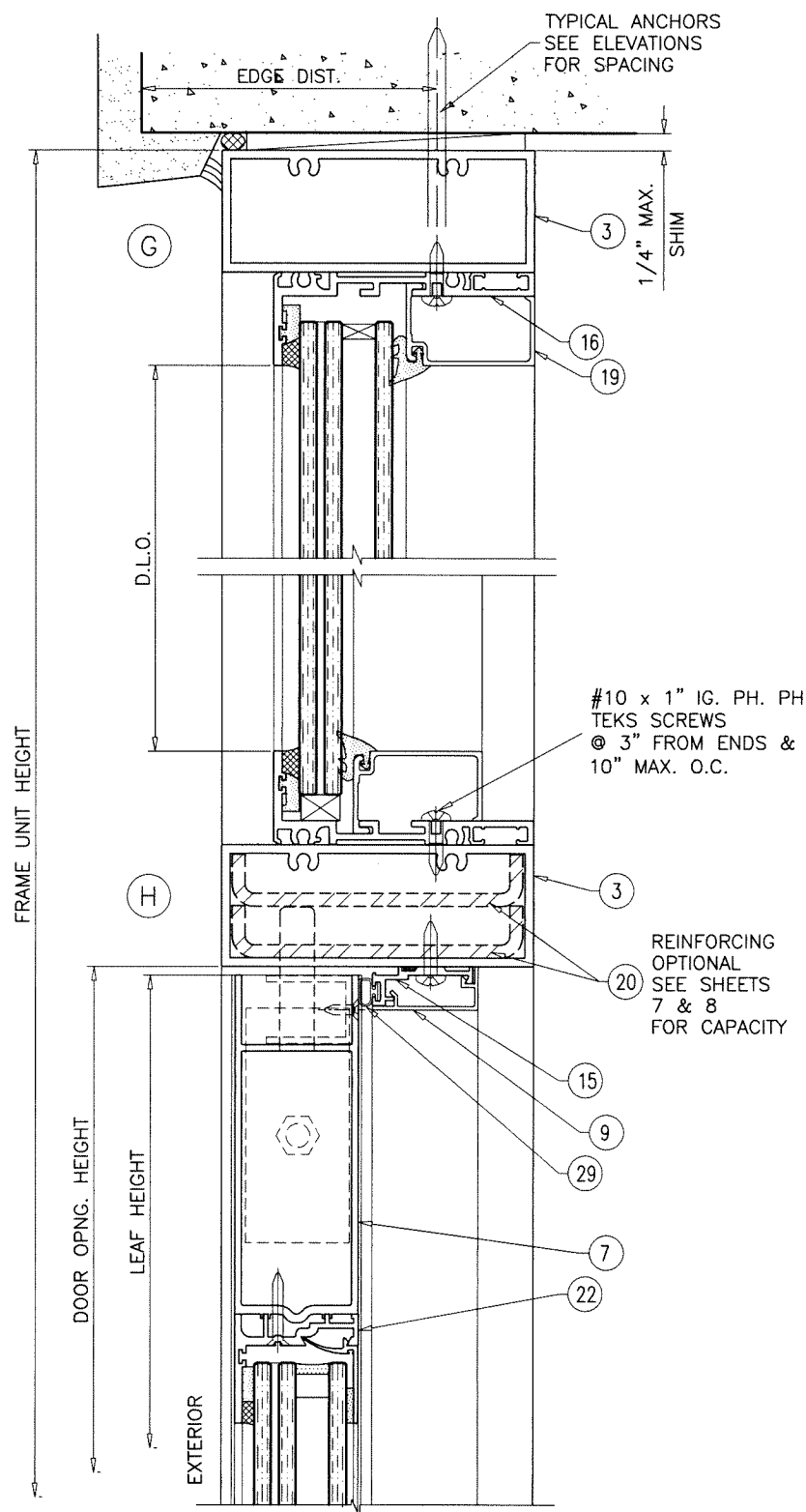
**afc**  
**AL-FAROOQ CORPORATION**  
 ENGINEERS & PRODUCT DEVELOPMENT  
 9360 SUNSET DRIVE, SUITE 220  
 MIAMI, FLORIDA 33173 (C.A.N. 3538)  
 TEL. (305) 264-8100 FAX. (305) 262-6978  
 COMP-ANL\21-38F-AAG

SERIES 'SUMMIT' ALUMINUM OUT-SWING DOOR (L.M.I.)  
**Aldora Aluminum & Glass Products Inc.**  
 4250 Coral Ridge Drive, Suite 101  
 Coral Springs, FL. 33065  
 Tel. (954) 784-6900 Fax. (954) 784-6901

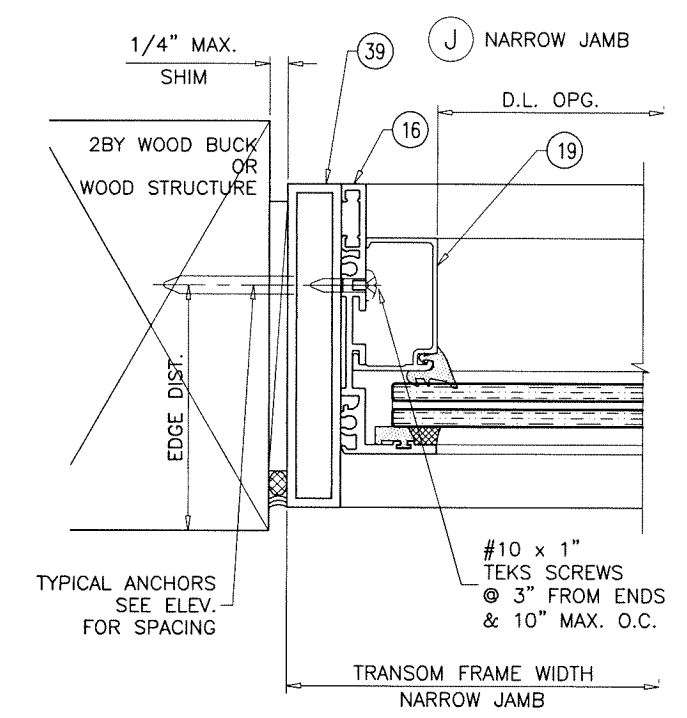
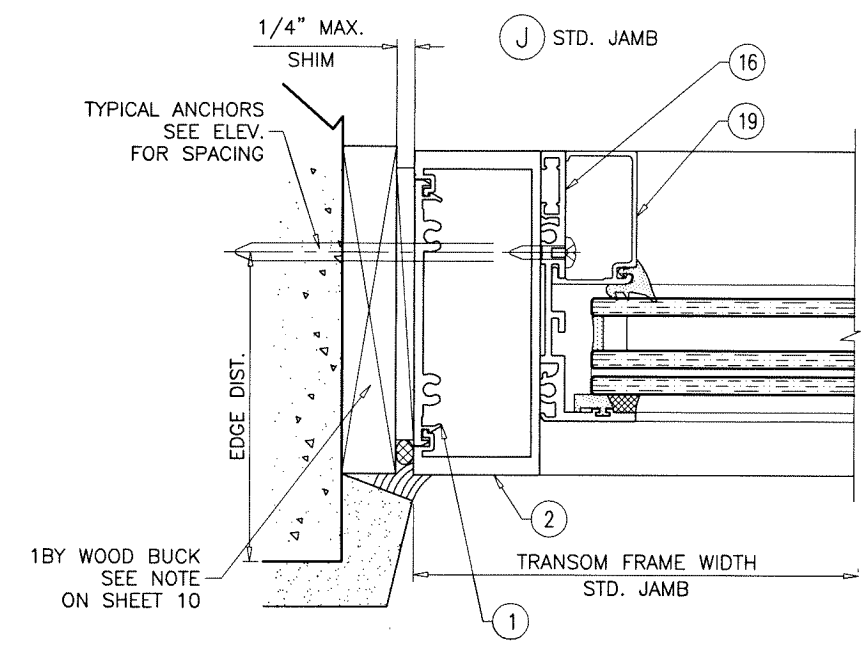
revisions:	
no	date by description

date: 05-04-21  
 scale: 3/8" = 1"  
 dr. by: TARIQ  
 chk. by:  

drawing no.  
**21-38F**  
 sheet 12 of 22



**SHEAR CLIP REQD. AT TRANSOM ENDS**



Sealed: 7/12/2023



FL #17682

**afc**  
**AL-FAROOQ CORPORATION**  
 ENGINEERS & PRODUCT DEVELOPMENT  
 9360 SUNSET DRIVE, SUITE 220  
 MIAMI, FLORIDA 33173 (C.A.N. 3538)  
 TEL. (305) 264-8100 FAX. (305) 262-6978  
 COMP-ANL 21-38F-AAG

SERIES 'SUMMIT' ALUMINUM OUT-SWING DOOR (L.M.I.)  
**Aldora Aluminum & Glass Products Inc.**  
 4250 Coral Ridge Drive, Suite 101  
 Coral Springs, FL. 33065  
 Tel. (954) 784-6900 Fax. (954) 784-6901

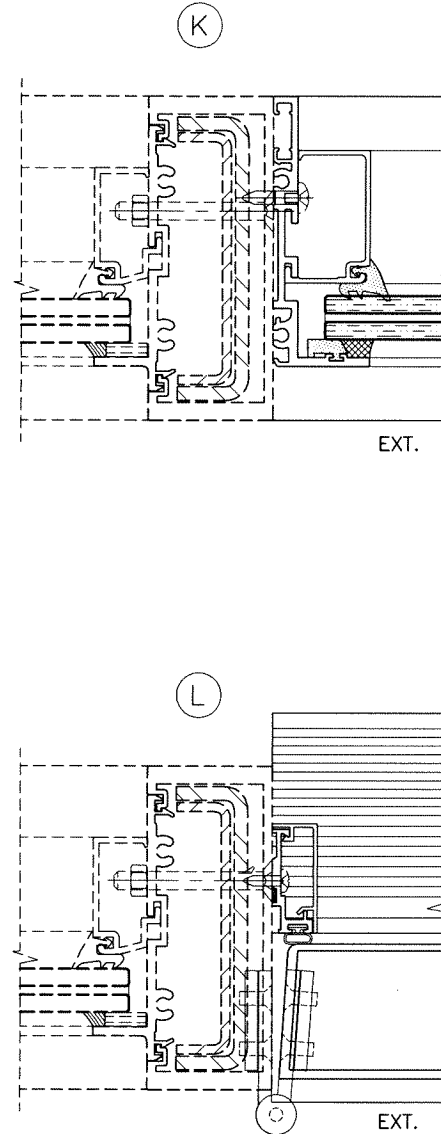
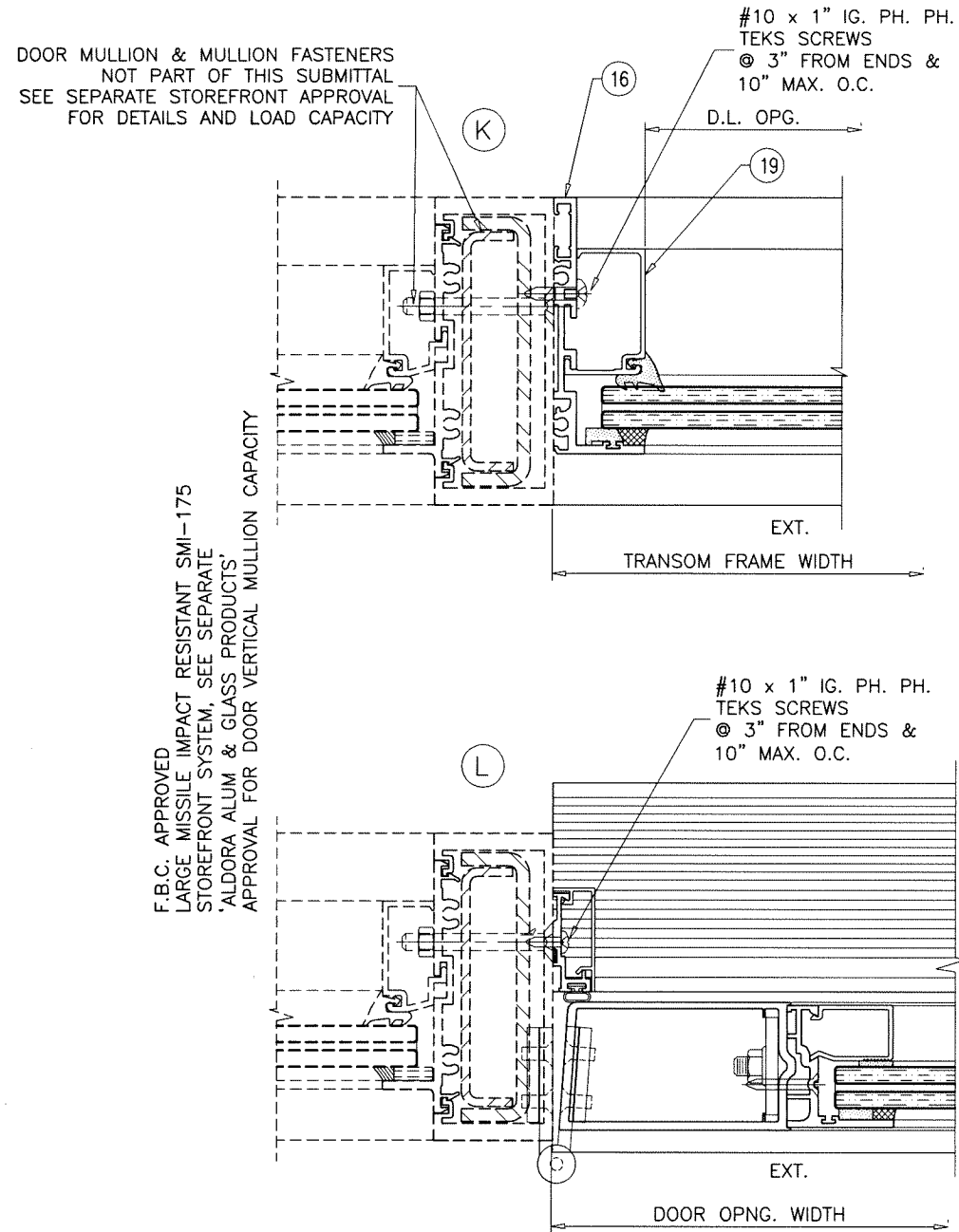
revisions:	no.	date	by	description

date:	05-04-21
scale:	3/8" = 1"
dr. by:	TARIQ
chk. by:	

drawing no.	21-38F
sheet	13 of 22



Sealed: 7/12/2023



FL #17682

**afc**  
**AL-FAROOQ CORPORATION**  
 ENGINEERS & PRODUCT DEVELOPMENT  
 9360 SUNSET DRIVE, SUITE 220 (C.A.N. 3538)  
 MIAMI, FLORIDA 33173  
 TEL. (305) 264-8100 FAX. (305) 262-6978  
 COMP-ANL\21-38F-AAG

SERIES 'SUMMIT' ALUMINUM OUT-SWING DOOR (L.M.I.)  
**Aldora Aluminum & Glass Products Inc.**  
 4250 Coral Ridge Drive, Suite 101  
 Coral Springs, FL. 33065  
 Tel. (954) 784-6900 Fax. (954) 784-6901

revisions:	no	date	by	description

date: 05-04-21	scale: 3/8" = 1"	dr. by: TARIQ	chk. by:
drawing no. 21-38F			
sheet 14 of 22			

**LOCK OPTIONS:**

**OPTION #1:**

STD. 3 POINT LOCK  
 MAX. FRAME HEIGHT = 120 IN.  
 MAX. LEAF WIDTH = 47-3/4 IN.  
 MAX. DESIGN LOAD = 100 PSF

**ACTIVE LEAF:**

THREE POINT LOCK SYSTEM SERIES 2002/2222/2062 BY 'REGENT HARDWARE'  
 KEY OPERATED FROM EXTERIOR AND THUMB TURN ON INTERIOR WITH CONCEALED FLUSH BOLTS AT TOP & BOTTOM OF LOCK STILE LOCATED AT 34" FROM BOTTOM OF LEAF

**INACTIVE LEAF:**

MANUALLY OPERATED TWO POINT LOCK SYSTEM BY 'REGENT HARDWARE' WITH CONCEALED FLUSH BOLTS AT TOP & BOTTOM OF LOCK STILE FASTENED WITH  
 (2) #8-32 X 1/4" PH MACHINE SCREWS

**OPTION #1A:**

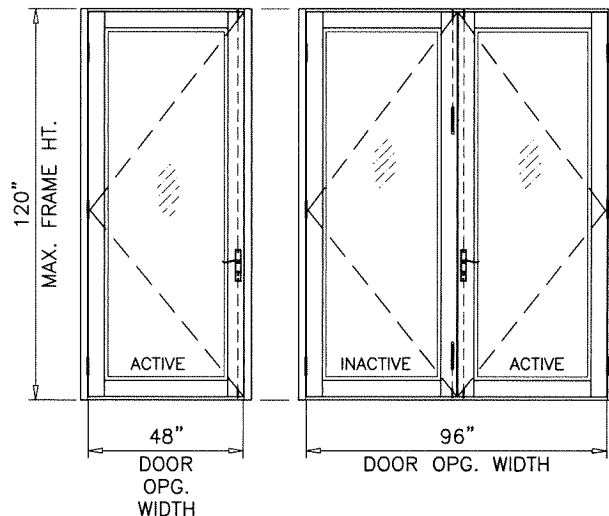
STD. 3 POINT LOCK  
 MAX. FRAME HEIGHT = 120 IN.  
 MAX. LEAF WIDTH = 47-3/4 IN.  
 MAX. DESIGN LOAD = 100 PSF

**ACTIVE LEAF:**

THREE POINT LOCK SYSTEM BY 'INTERLOCK' KEY OPERATED FROM EXTERIOR AND THUMB TURN ON INTERIOR WITH CONCEALED FLUSH BOLTS AT TOP & BOTTOM OF LOCK STILE LOCATED AT 34" FROM BOTTOM OF LEAF FASTENED WITH  
 (2) #8-32 X 2" OH MACHINE SCREWS

**INACTIVE LEAF:**

TWO POINT LOCK SYSTEM BY 'INTERLOCK' WITH CONCEALED FLUSH BOLTS AT TOP & BOTTOM OF LOCK STILE FASTENED WITH  
 (2) #8-32 X 2" OH MACHINE SCREWS



**OPTION #2:**

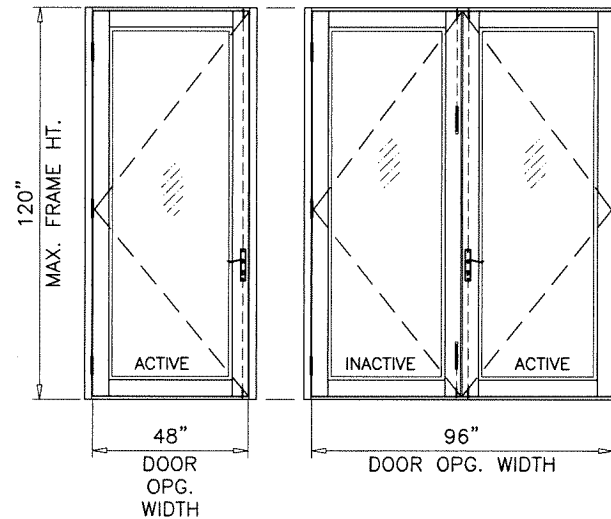
STD. 3 POINT LOCK  
 MAX. FRAME HEIGHT = 120 IN.  
 MAX. LEAF WIDTH = 47-3/4 IN.  
 MAX. DESIGN LOAD = 100 PSF

**ACTIVE LEAF:**

THREE POINT LOCK SYSTEM WITH 4 PLY HOOK LOCK REGENT NO. 206-3P, KEY OPERATED ON EXTERIOR AND THUMB-TURN ON INTERIOR, LOCATED AT 36" FROM BOTTOM OF PANEL

**INACTIVE LEAF:**

TWO POINT LOCK SYSTEM SULLIVAN CH 103 WITH THUMB TURN ON THE INTERIOR, LOCATED AT 36" FROM BOTTOM OF PANEL



**OPTION #3:**

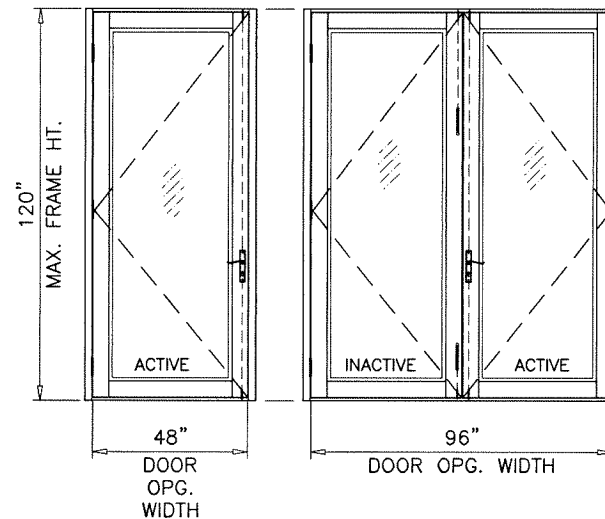
STD. 3 POINT LOCK  
 MAX. FRAME HEIGHT = 120 IN.  
 MAX. LEAF WIDTH = 47-3/4 IN.  
 MAX. DESIGN LOAD = 100 PSF

**ACTIVE LEAF:**

KEY OPERATED THREE POINT LOCK SYSTEM BY 'MDC' WITH CONCEALED FLUSH BOLTS AT TOP & BOTTOM OF LOCK STILE AND A THUMB TURN ON THE INTERIOR, LOCATED AT 36" FROM BOTTOM OF PANEL FASTENED WITH  
 (2) #10-24 X 1/2" FH MS AND  
 (1) #10-32 X 1-3/4" FH MS

**INACTIVE LEAF:**

MANUALLY OPERATED TWO POINT LOCK SYSTEM BY 'MDC' WITH CONCEALED FLUSH BOLTS AT TOP & BOTTOM OF LOCK STILE FASTENED WITH  
 (2) #6-32 X 1/2" PH MACHINE SCREWS



**OPTION #4:**

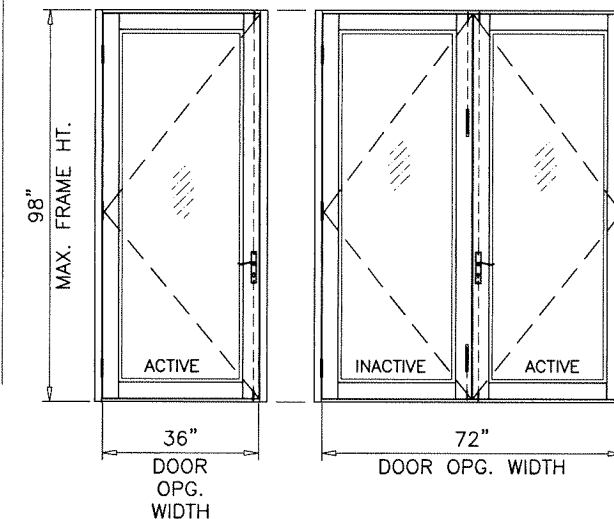
STD. 3 POINT LOCK  
 MAX. FRAME HEIGHT = 98 IN.  
 MAX. LEAF WIDTH = 36 IN.  
 MAX. DESIGN LOAD = 90 PSF

**ACTIVE LEAF:**

KEY OPERATED THREE POINT LOCK SYSTEM BY 'ADAMS RITE' WITH CONCEALED FLUSH BOLTS AT TOP & BOTTOM OF LOCK STILE AND A THUMB TURN ON THE INTERIOR, LOCATED AT 40" FROM BOTTOM OF PANEL FASTENED WITH  
 (2) #12-24 X 1/2" FH MACHINE SCREWS

**INACTIVE LEAF:**

MANUALLY OPERATED TWO POINT LOCK SYSTEM BY 'ADAMS RITE' WITH CONCEALED FLUSH BOLTS AT TOP & BOTTOM OF LOCK STILE FASTENED WITH  
 (2) #8-32 X 1/4" PH MACHINE SCREWS



Sealed: 7/12/2023



FL #17682

**af c**  
**AL-FAROOQ CORPORATION**  
 ENGINEERS & PRODUCT DEVELOPMENT  
 9360 SUNSET DRIVE, SUITE 220 (C.A.N. 3538)  
 MIAMI, FLORIDA 33173 FAX: (305) 262-6978  
 TEL: (305) 264-8100 COMP-ANL\21-38F-AAG

SERIES 'SUMMIT' ALUMINUM OUT-SWING DOOR (L.M.I.)  
**Aldora Aluminum & Glass Products Inc.**  
 4250 Coral Ridge Drive, Suite 101  
 Coral Springs, FL. 33065  
 Tel: (954) 784-6900 Fax: (954) 784-6901

revisions:	no	date	by	description

date: 05-04-21  
 scale: -  
 dr. by: TARIQ  
 chk. by:  
 drawing no. 21-38F  
 sheet 15 of 22



**LOCK OPTIONS:  
PANIC EXIT DEVICE**

**OPTION #5:**

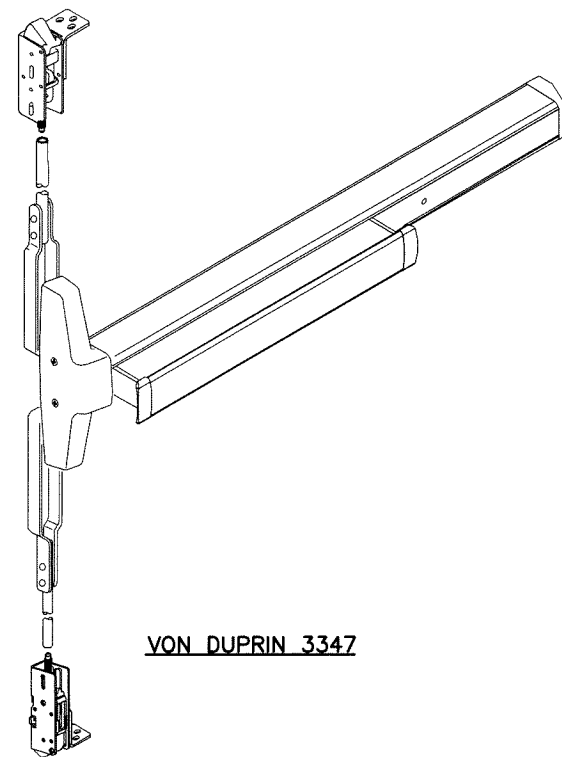
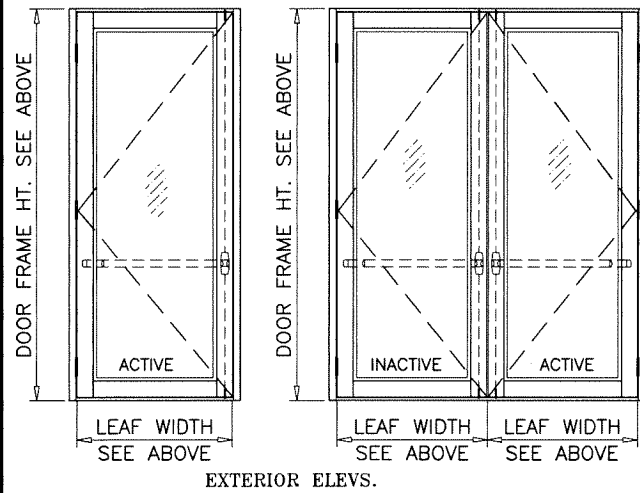
PANIC EXIT DEVICE  
MAX. FRAME HEIGHT = 98 IN.  
MAX. LEAF WIDTH = 36 IN.  
MAX. DESIGN LOAD = 90 PSF

**PANIC EXIT DEVICE**

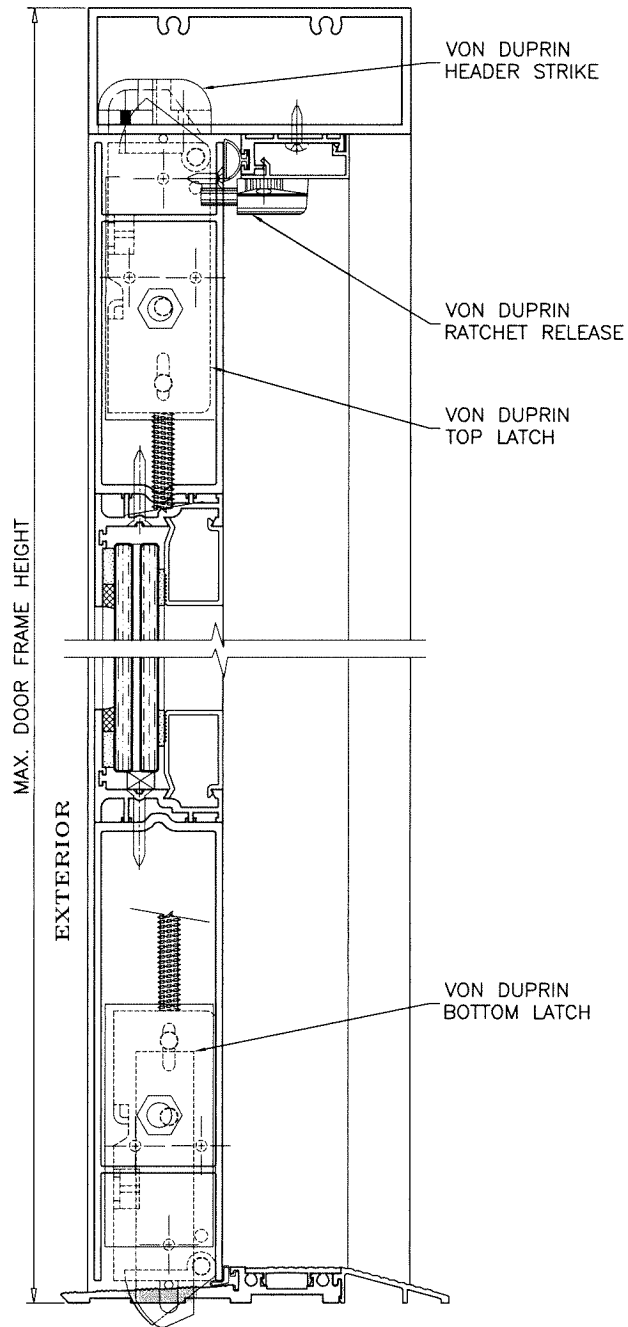
MAX. FRAME HEIGHT = 85 3/4 IN.  
MAX. LEAF WIDTH = 47-3/4 IN.  
MAX. DESIGN LOAD = 90 PSF

**ACTIVE & INACTIVE LEAF:**

CONCEALED VERTICAL ROD PANIC EXIT DEVICE SERIES 3347 BY 'VON DUPRIN' LOCATED AT 40" FROM SILL AT EACH LEAF. FASTENED WITH  
(2) #10-32 X 3/4" FH MACHINE SCREWS AT ONE END AND  
(2) #10-24 X 1/2" FH MACHINE SCREWS AT OTHER END



VON DUPRIN 3347



CONCRETE TO BE DRILLED OUT FOR PANIC LATCHES AT SILL

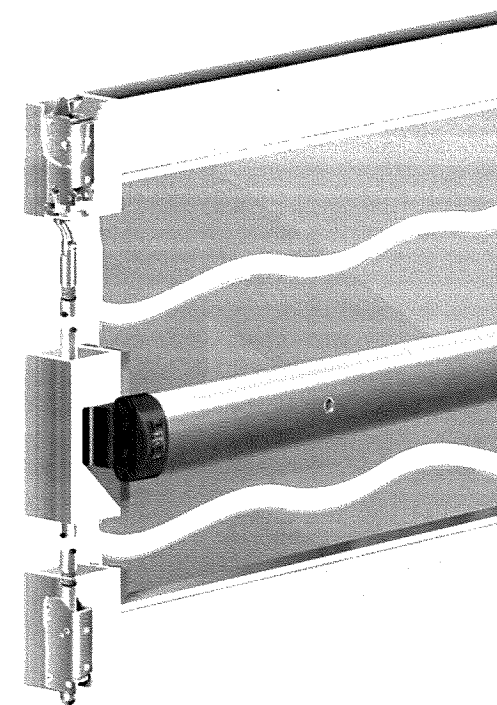
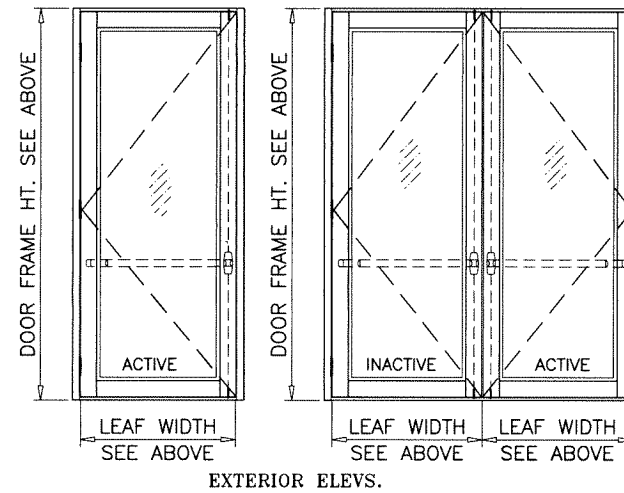
**PANIC EXIT DEVICE**

**OPTION #6:**

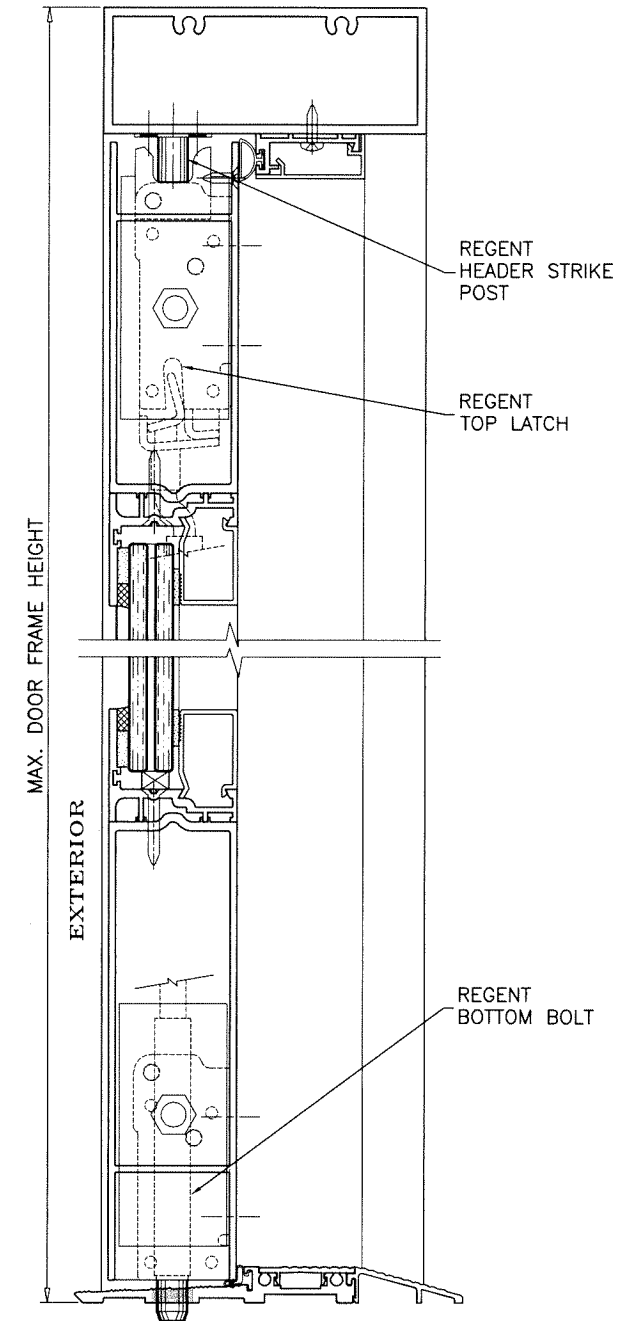
PANIC EXIT DEVICE  
MAX. FRAME HEIGHT = 120 IN.  
MAX. LEAF WIDTH = 47-3/4 IN.  
MAX. DESIGN LOAD = 100 PSF

**ACTIVE & INACTIVE LEAF:**

CONCEALED VERTICAL ROD PANIC EXIT DEVICE # 5770 BY 'REGENT HARDWARE' LOCATED AT 40" FROM SILL AT EACH LEAF. FASTENED WITH  
(1) #10 X 3/8" FH SELF DRILLING SCREW AT ONE END AND  
(2) #10 X 1/2" FH SELF DRILLING SCREWS AT OTHER END



REGENT 5770



Sealed: 7/12/2023



FL #17682

**AL-FAROOQ CORPORATION**  
ENGINEERS & PRODUCT DEVELOPMENT  
9360 SUNSET DRIVE, SUITE 220 (C.A.N. 3538)  
MIAMI, FLORIDA 33173 TEL. (305) 264-8100 FAX. (305) 262-6978

SERIES 'SUMMIT' ALUMINUM OUT-SWING DOOR (L.M.I.)  
**Aldora Aluminum & Glass Products Inc.**  
4250 Coral Ridge Drive, Suite 101  
Coral Springs, FL. 33065  
Tel. (954) 784-6900 Fax. (954) 784-6901

no.	date	description

revisions:

date: 05-04-21  
scale: -  
dr. by: TARIO  
chk. by: -

drawing no. 21-38F  
sheet 16 of 22

COMP-ANL\21-38F-AAG

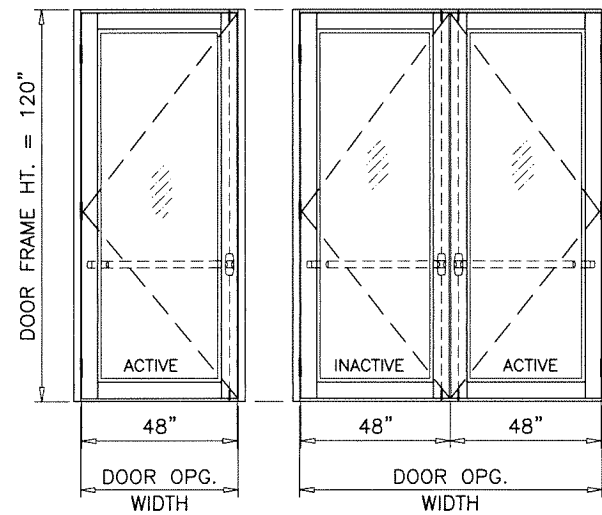
**LOCK OPTIONS:  
PANIC EXIT DEVICE**

**OPTION #7:**

PANIC EXIT DEVICE  
MAX. FRAME HEIGHT = 120 IN.  
MAX. LEAF WIDTH = 47-3/4 IN.  
MAX. DESIGN LOAD = 100 PSF

**ACTIVE & INACTIVE LEAF:**

CONCEALED VERTICAL ROD PANIC EXIT DEVICE SERIES 8400 BY 'SARGENT ASSA ABLOY' LOCATED AT 40" FROM SILL AT EACH LEAF.  
FASTENED WITH  
(2) #12 X 1" HH SELF DRILLING SCREW AT ONE END AND  
(2) #14 X 3/4" PH SELF DRILLING SCREWS AT OTHER END

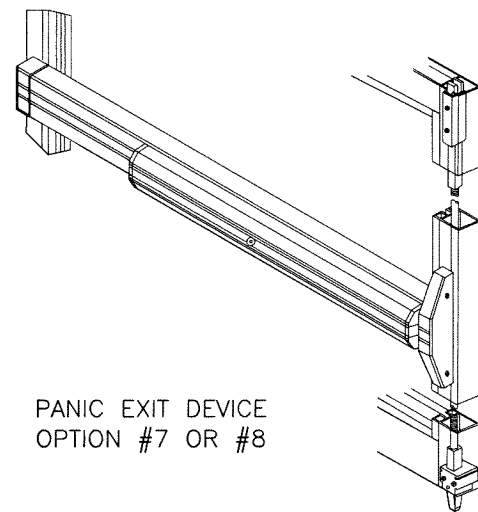
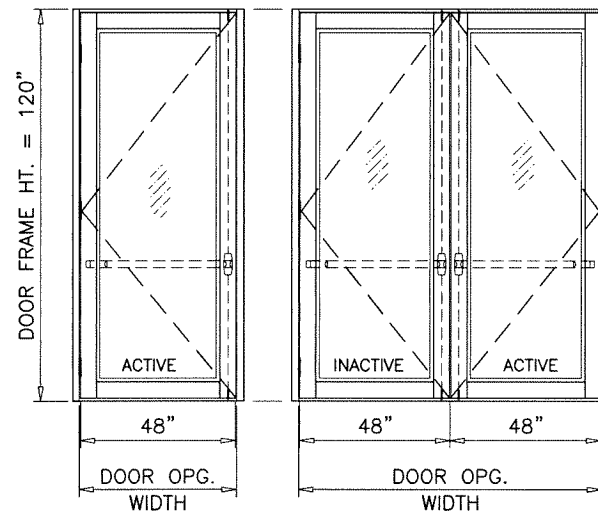


**OPTION #8:**

PANIC EXIT DEVICE  
MAX. FRAME HEIGHT = 120 IN.  
MAX. LEAF WIDTH = 47-3/4 IN.  
MAX. DESIGN LOAD = 100 PSF

**ACTIVE & INACTIVE LEAF:**

CONCEALED VERTICAL ROD PANIC EXIT DEVICE # G86 BY 'ADAMS RITE' LOCATED AT 40" FROM SILL AT EACH LEAF.  
FASTENED WITH  
(2) #10-32 X 3/4" FH MACHINE SCREWS AT ONE END AND  
(2) #10-24 X 1/2" FH MACHINE SCREWS AT OTHER END



PANIC EXIT DEVICE  
OPTION #7 OR #8

**a f c**  
**AL-FAROOQ CORPORATION**  
ENGINEERS & PRODUCT DEVELOPMENT  
9360 SUNSET DRIVE, SUITE 220 (C.A.N. 3538)  
MIAMI, FLORIDA 33173 TEL. (305) 264-8100 FAX. (305) 262-6978  
COMP-ANL\21-38F-AAG

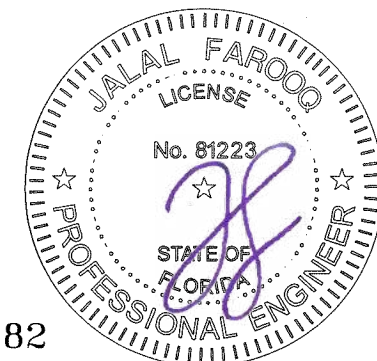
SERIES 'SUMMIT' ALUMINUM OUT-SWING DOOR (L.M.I.)  
**Aldora Aluminum & Glass Products Inc.**  
4250 Coral Ridge Drive, Suite 101  
Coral Springs, FL. 33065  
Tel. (954) 784-6900 Fax. (954) 784-6901

revisions:	no.	date	by	description

date: 05-04-21  
scale: -  
dr. by: TARIQ  
chk. by:

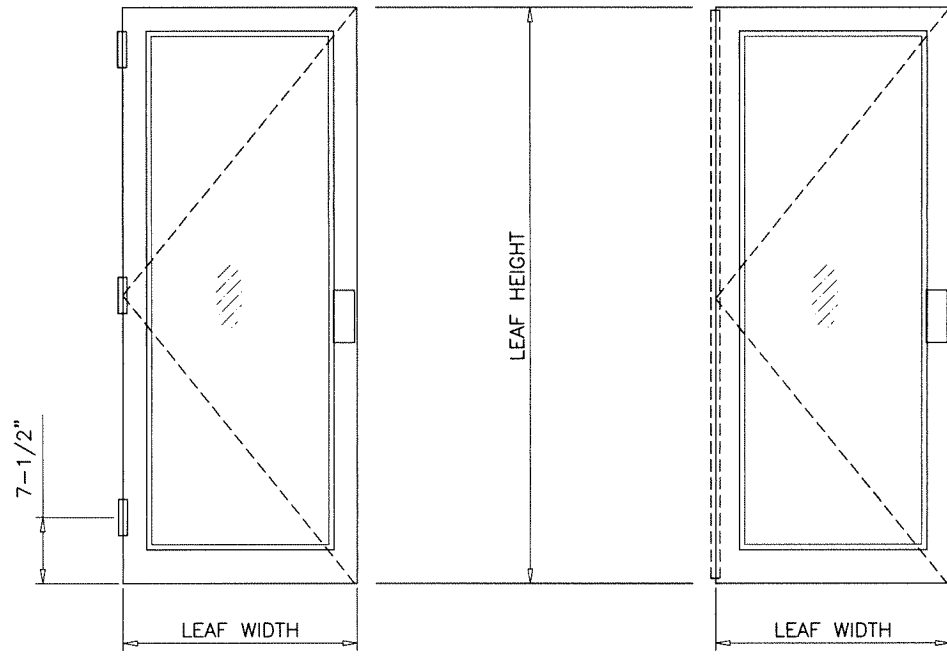
drawing no.  
**21-38F**  
sheet 17 of 22

Sealed: 7/12/2023



FL #17682

DOOR FRAME NOT SHOWN FOR CLARITY

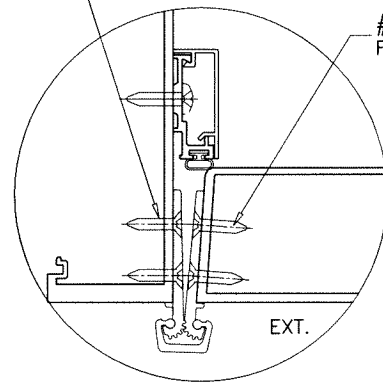
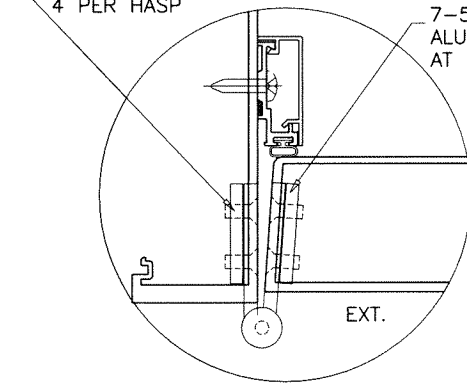


# 12-24 X 1/2"  
FH MACHINE SCREWS  
4 PER HASP

1-1/2" X 1/4" THK.  
7-5/16" LONG  
ALUMINUM REINFORCING  
AT HINGE LOCATIONS

# 12-24 X 1/2"  
FH MS

# 12-24 X 1/2"  
FH MS



**HINGE OPTIONS:**

**BUTT HINGES**

4-1/2" LONG BUTT HINGES REGENT #4001  
OR IDH #B10445R ST/ST  
(3) PER LEAF, 7-1/2" FROM TOP AND BOTTOM  
AND AT MIDSPAN  
FASTENED TO FRAME JAMB WITH  
(4) #12-24 X 1/2" FH MS  
AND TO LEAF STILE WITH  
(4) #12-24 X 1/2" FH MS

**SURFACE MOUNT GEARED HINGE**

CONTINUOUS ALUMINUM GEARED HINGE  
PEMKO FM-SLI  
FASTENED TO FRAME JAMB AND TO JAMB STILE  
WITH (22) #12-24 X 1/2" FH MS SCREWS

Sealed: 7/12/2023



FL #17682

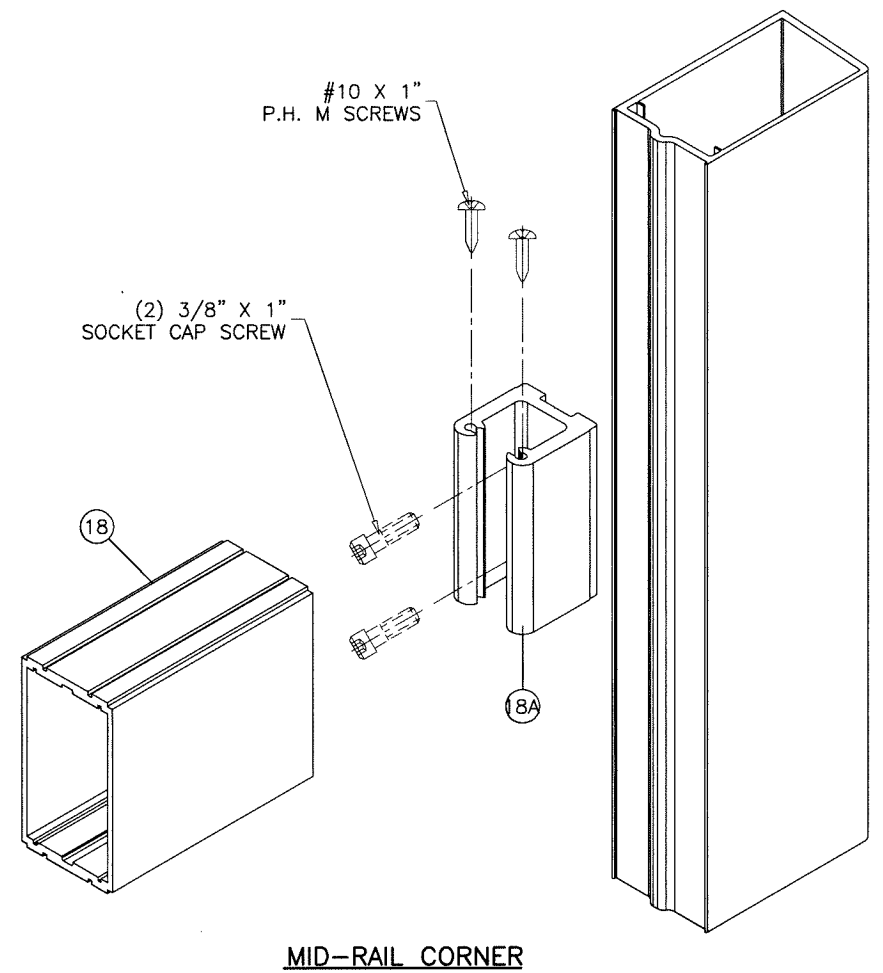
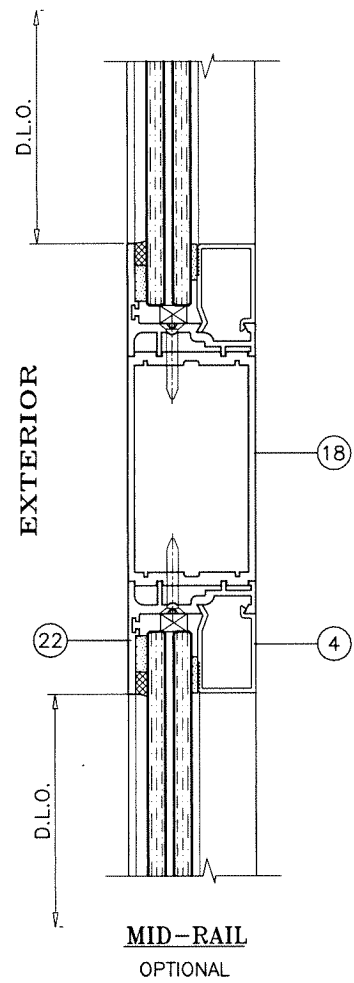
**afc**  
**AL-FAROOQ CORPORATION**  
ENGINEERS & PRODUCT DEVELOPMENT  
9360 SUNSET DRIVE, SUITE 220 (C.A.N. 3538)  
MIAMI, FLORIDA 33173  
TEL. (305) 264-8100 FAX. (305) 262-6978  
COMP-ANL\21-38F-AAG

SERIES 'SUMMIT' ALUMINUM OUT-SWING DOOR (L.M.I.)  
**Aldora Aluminum & Glass Products Inc.**  
4250 Coral Ridge Drive, Suite 101  
Coral Springs, FL. 33065  
Tel. (954) 784-6900 Fax. (954) 784-6901

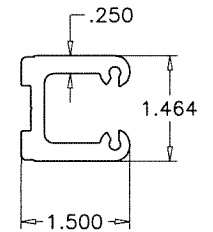
revisions:	no.	date	by	description

date: 05-04-21  
scale: 3/8" = 1"  
dr. by: TARIQ  
chk. by:

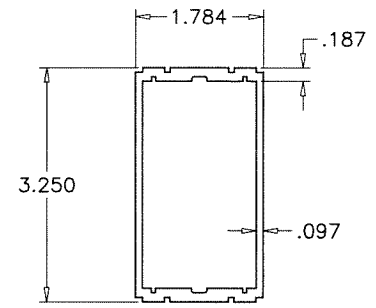
drawing no.  
**21-38F**  
sheet 18 of 22



18A MID-RAIL CORNER CLIP



18 MID-RAIL



Sealed: 7/12/2023



FL #17682

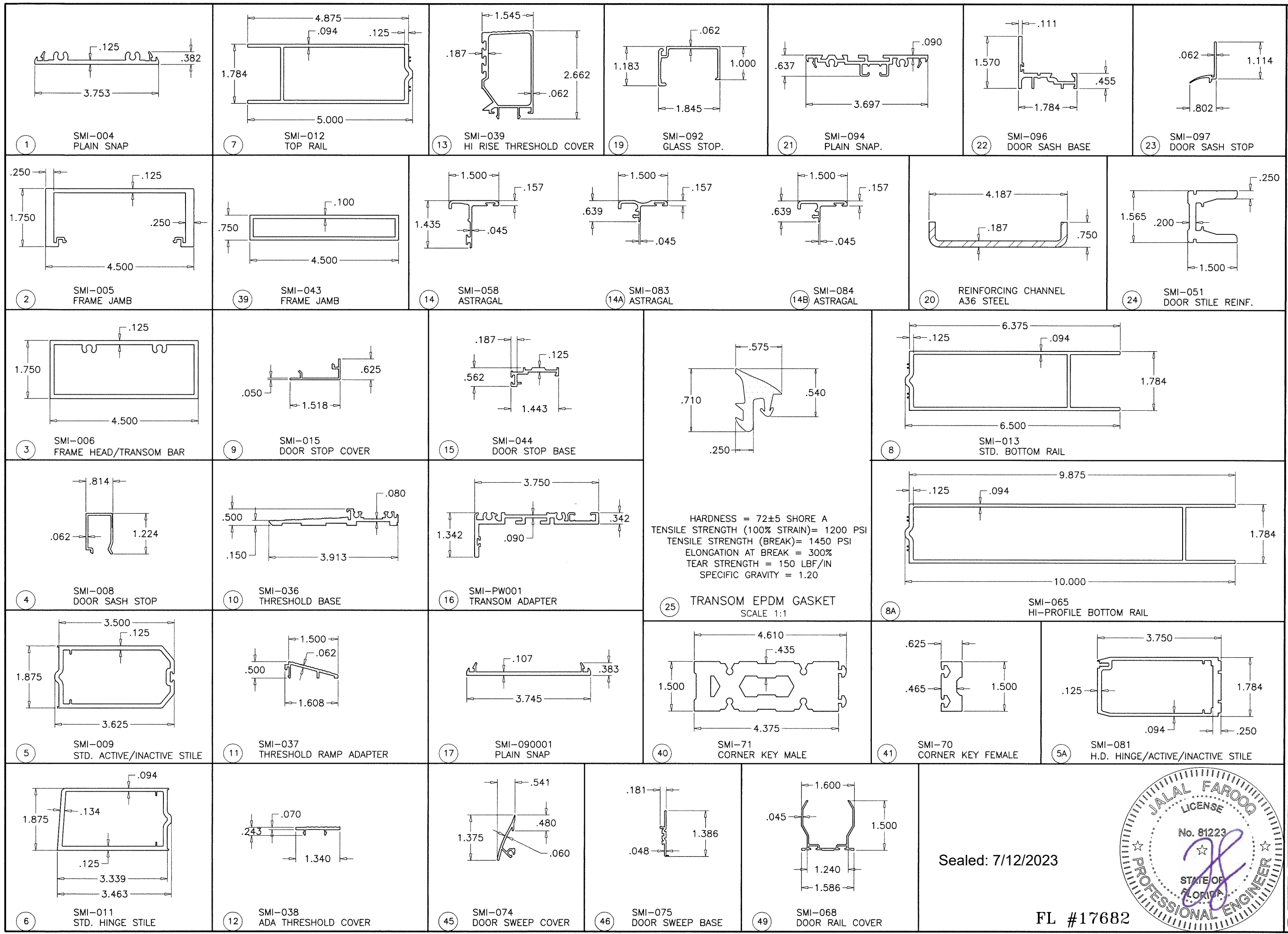
SERIES 'SUMMIT' ALUMINUM OUT-SWING DOOR (L.M.I.)  
**Aldora Aluminum & Glass Products Inc.**  
 4250 Coral Ridge Drive, Suite 101  
 Coral Springs, FL. 33065  
 Tel. (954) 784-6900 Fax. (954) 784-6901

revisions:	
no	date by description

date: 05-04-21  
 scale: 3/8" = 1"  
 dr. by: TARIO  
 chk. by:

drawing no.  
**21-38F**  
 sheet 19 of 22

**af c**  
**AL-FAROOQ CORPORATION**  
 ENGINEERS & PRODUCT DEVELOPMENT  
 9360 SUNSET DRIVE, SUITE 220 (C.A.N. 3538)  
 MIAMI, FLORIDA 33173 FAX. (305) 262-6978  
 TEL. (305) 264-8100  
 COMP-ANL\21-38F-AAG



**af c**  
**AL-FAROOQ CORPORATION**  
 ENGINEERS & PRODUCT DEVELOPMENT  
 9360 SUNSET DRIVE, SUITE 220 (C.A.N. 3538)  
 MIAMI, FLORIDA 33173  
 TEL. (305) 264-8100 FAX. (305) 262-6978  
 COMP-ANL\21-38F-AAG

SERIES 'SUMMIT' ALUMINUM OUT-SWING DOOR (L.M.I.)  
**Aldora Aluminum & Glass Products Inc.**  
 4250 Coral Ridge Drive, Suite 101  
 Coral Springs, FL. 33065  
 Tel. (954) 784-6900 Fax. (954) 784-6901

no	date	by	description

date: 05-04-21  
 scale: 3/8" = 1"  
 dr. by: TARIQ  
 chk. by:  
 drawing no.  
**21-38F**  
 sheet 20 of 22

Sealed: 7/12/2023



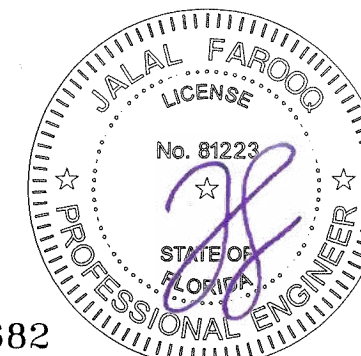
FL #17682

ITEM #	PART #	REQ'D	DESCRIPTION	MATERIAL	MANF./SUPPLIER/REMARKS
1	SMI-004	AS REQ'D	PLAIN SNAP	6063-T6	-
2	SMI-005	AS REQ'D	FRAME JAMB	6063-T6	-
3	SMI-006	AS REQ'D	FRAME HEAD/TRANSOM BAR	6063-T6	-
4	SMI-008	AS REQ'D	DOOR SASH STOP	6063-T6	-
5	SMI-009	AS REQ'D	STD. ACTIVE/INACTIVE STILE	6063-T6	-
5A	SMI-081	AS REQ'D	H.D. HINGE STILE, ACTIVE/INACTIVE STILE	6063-T6	-
6	SMI-011	AS REQ'D	STD. HINGE STILE	6063-T6	-
7	SMI-012	AS REQ'D	TOP RAIL	6063-T6	-
8	SMI-013	AS REQ'D	BOTTOM RAIL (STD.)	6063-T6	-
8A	SMI-065	AS REQ'D	BOTTOM RAIL (HI-RISE)	6063-T6	-
9	SMI-015	AS REQ'D	DOOR STOP COVER	6063-T6	-
10	SMI-036	AS REQ'D	THRESHOLD BASE	6063-T6	-
11	SMI-037	AS REQ'D	THRESHOLD RAMP ADAPTOR	6063-T6	-
12	SMI-038	AS REQ'D	ADA THRESHOLD COVER	6063-T6	-
13	SMI-039	AS REQ'D	HI-RISE THRESHOLD COVER	6063-T6	-
14	SMI-058	AS REQ'D	ASTRAGAL	6063-T6	-
14A	SMI-083	AS REQ'D	ASTRAGAL	6063-T6	-
14B	SMI-084	AS REQ'D	ASTRAGAL	6063-T6	-
15	SMI-044	AS REQ'D	DOOR STOP BASE	6063-T6	-
16	SMI-PW001	AS REQ'D	TRANSOM ADAPTER	6063-T6	-
17	SMI-090001	AS REQ'D	PLAIN SNAP	6063-T6	-
18	SMI-046	AS REQD.	MID-RAIL	6063-T6	OPTIONAL
18A	SMI-105	2	MID-RAIL CORNER CLIP	6005-T5	-
19	SMI-092	AS REQ'D	GLASS STOP	6063-T6	-
20	-	AS REQD.	REINFORCING CHANNEL (TRANSOM)	A36 STEEL	-
21	SMI-094	AS REQ'D	PLAIN SNAP	6063-T6	-
22	SMI-096	AS REQ'D	DOOR SASH BASE	6063-T6	-
23	SMI-097	AS REQ'D	DOOR SASH STOP	6063-T6	-
24	SMI-051	AS REQ'D	DOOR STILE ALUM. REINF. FULL LENGTH	6005-T5	-
25	SMI-G01	AS REQ'D	TRANSOM GASKET (@ INTERIOR)	EPDM	TREMCO
26	SMI-G12	AS REQ'D	DOUBLE FACE FOAM TAPE (3/16" X 1/2")	VINYL FOAM	FRANK LOWE
27	SMI-G07	AS REQ'D	GASKET (@ EXTERIOR)	SANTOPRENE	CENTRAL PLASTICS, INC.
28	SMI-G11	AS REQ'D	SINGLE FACE FOAM TAPE (1/8" X 1/2")	VINYL FOAM	FRANK LOWE
29	SMI-B01	AS REQ'D	.385 DIA. BULB W'STRIPPING	RIGID PVC	CENTRAL PLASTICS, INC.
29A	SMI-G20	AS REQ'D	FLAP W'STRIPPING	VINYL	PEMCO
30	SMI-B03	AS REQ'D	PUSH-IN, DOOR PERIMETER SEALING.	RIGID PVC	CENTRAL PLASTICS, INC.
31	SMI-SB03	2 PER GL.	SETTING BLOCKS (1/4" X 3/8" X 4" LG.) AT 1/4 POINTS	EPDM	TREMCO, DUROMETER 80±5 SHORE A
32	SMI-SB05	2 PER GL.	SETTING BLOCKS (1/4" X 1 3/16" X 4" LG.) AT 1/4 POINTS	EPDM	TREMCO, DUROMETER 80±5 SHORE A
33	SMI-SB06	2 PER GL.	SETTING BLOCKS (3/8" X 5/8" X 4" LG.) AT 1/4 POINTS	EPDM	TREMCO, DUROMETER 80±5 SHORE A
34	SMI-SB04	AS REQ'D	SETTING BLOCK (3/8" X 1 1/4" X 4" LG.) AT 1/4 POINTS	EPDM	TREMCO, DUROMETER 80±5 SHORE A
35	SMI-W01	AS REQ'D	WOOL PILE	PILE	ULTRAFAB
36	SMI-P06	AS REQ'D	LEAF SEAL	PLASTIC	ULTRAFAB (E224)
37	-	2/ LEAF	3/8" THREADED ROD WITH NUT	STEEL	-
38	-	2/ LEAF	SUPPORT PLATE (1-1/2" X 3-3/8" X 3/16")	ALUMINUM	-
39	SMI-043	AS REQ'D	FRAME JAMB	6063-T6	-
40	SMI-71	AS REQ'D	CORNER KEY MALE	6005-T5	-
41	SMI-70	AS REQ'D	CORNER KEY FEMALE	6005-T5	-
43	#12 X 1 1/2"	4/CORNER	FRAME ASSEMBLY SCREWS	ST. STEEL	HEX. HEAD MACHINE SCREW
44	SMI-B03	AS REQD.	PUSH-IN, DOOR PERIMETER SEALING	RIGID PVC	CENTRAL PLASTICS INC.
45	SMI-074	AS REQD.	DOOR SWEEP COVER	6063-T6	-
46	SMI-075	AS REQD.	DOOR SWEEP BASE	6063-T6	-
47	SMI-G19	AS REQD.	DOOR SWEEP GASKET	VINYL	MELTPPOINT PLASTICS
48	#8 X 3/4"	AS REQD.	DOOR SWEEP BASE FASTENERS	ST. STEEL	P. HD. PH SMS
49	SMI-068	AS REQD.	DOOR RAIL COVER	6063-T6	-
50	SMI-W01	AS REQD.	WOOL PILE	PILE	ULTRAFAB
51	#10 X 3/4"	2/ CORNER	THRESHOLD ASSEMBLY FASTENERS	ST. STEEL	PH SMS

**SEALANTS:**

ALL FRAME AND LEAF CORNERS AND INSTALLATION SCREWS SEALED WITH SILICONE.

Sealed: 7/12/2023

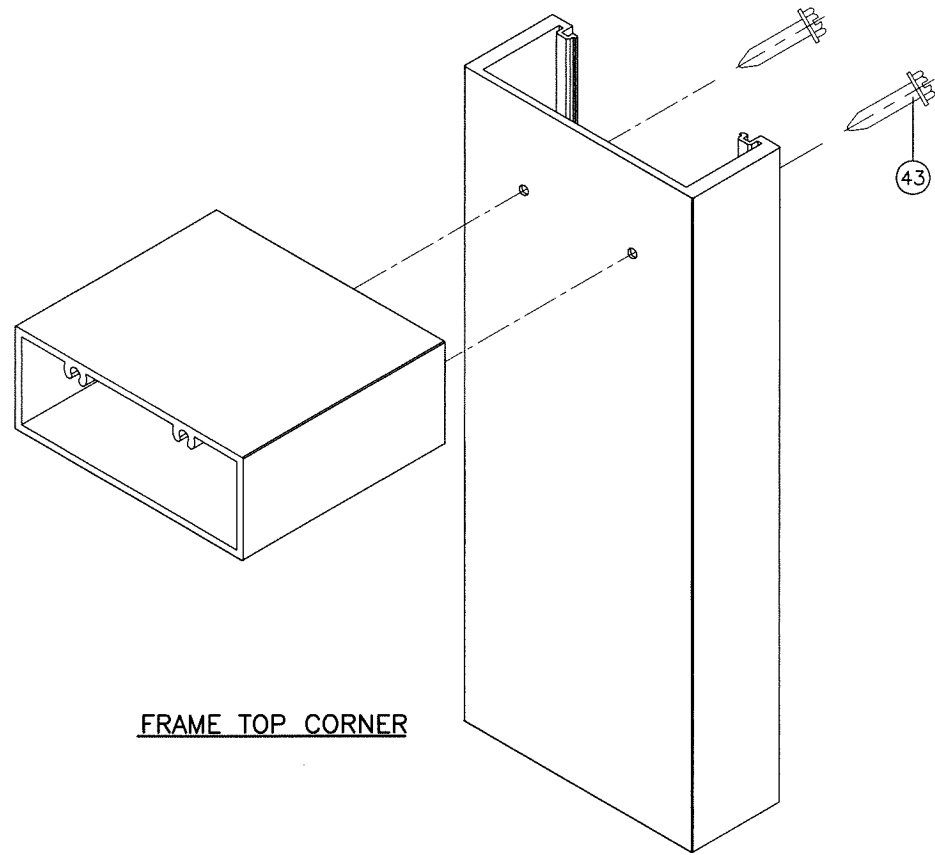


FL #17682

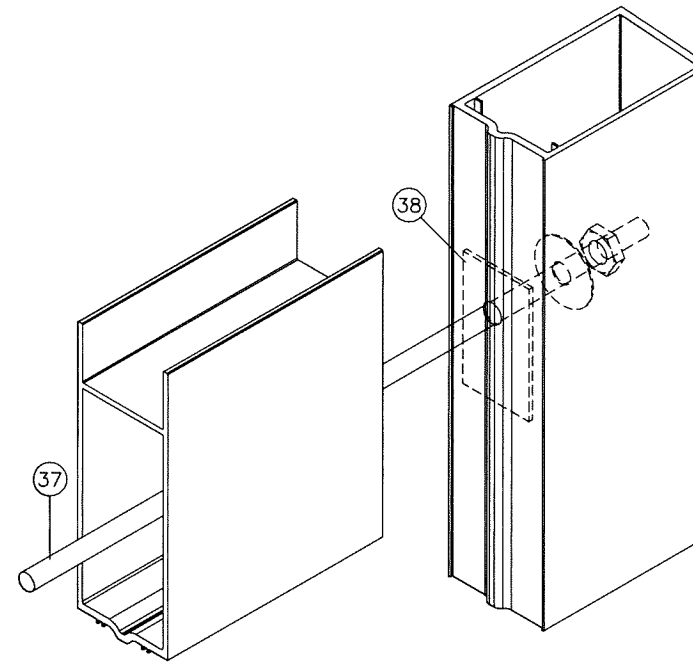
**af c**  
**AL-FAROOQ CORPORATION**  
ENGINEERS & PRODUCT DEVELOPMENT  
9360 SUNSET DRIVE, SUITE 220 (C.A.N. 3538)  
MIAMI, FLORIDA 33173  
TEL. (305) 264-8100 FAX. (305) 262-6978  
COMP-ANL\21-38F-AAG

SERIES 'SUMMIT' ALUMINUM OUT-SWING DOOR (L.M.I.)  
**Aldora Aluminum & Glass Products Inc.**  
4250 Coral Ridge Drive, Suite 101  
Coral Springs, FL. 33065  
Tel. (954) 784-6900 Fax. (954) 784-6901

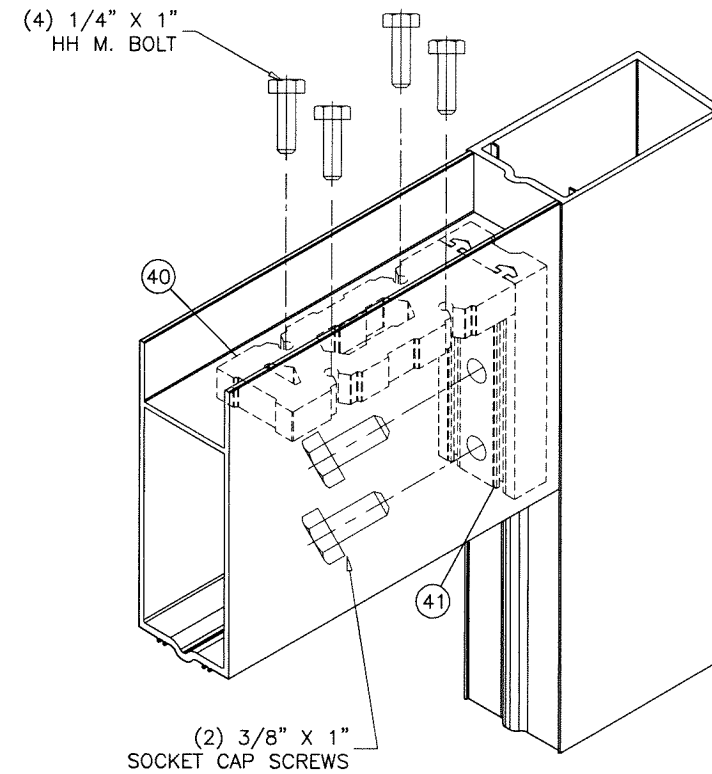
revisions:	no.	date	by	description
date:	05-04-21			
scale:	3/8" = 1"			
dr. by:	TARIQ			
chk. by:				
drawing no.	21-38F			
sheet	21 of 22			



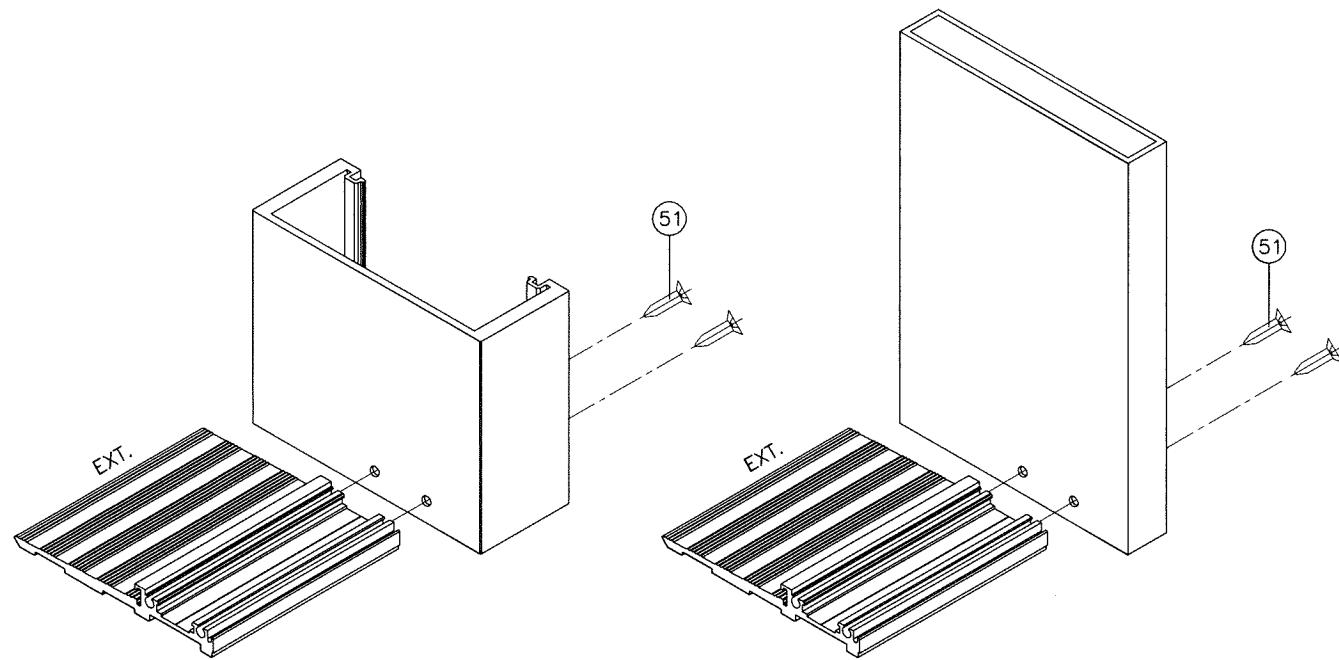
FRAME TOP CORNER



DOOR LEAF TOP/BOTTOM CORNER

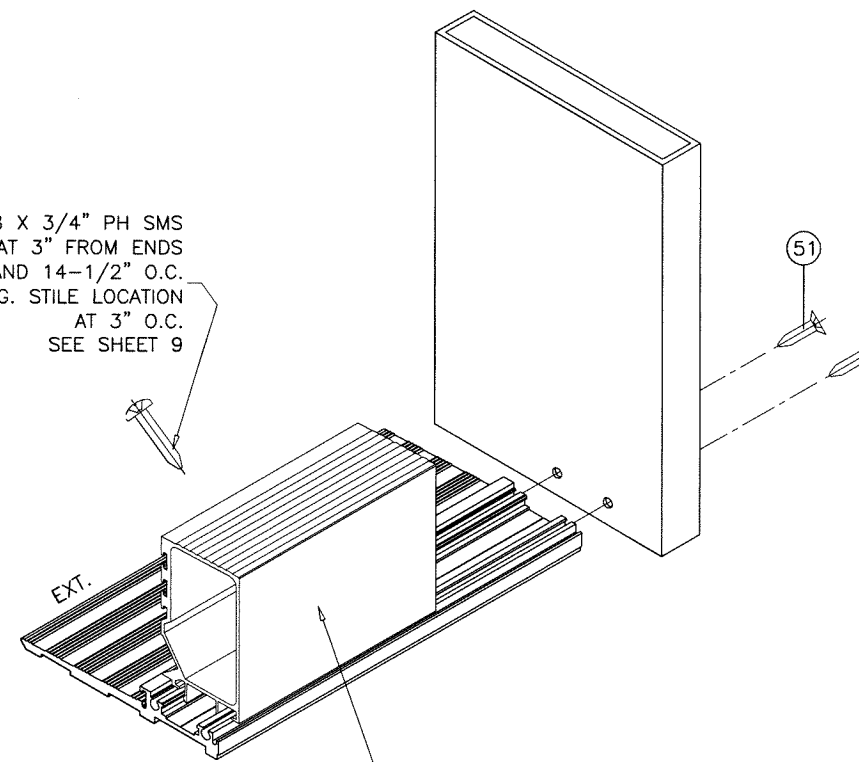


DOOR LEAF ALIGNMENT KEY  
AT TOP/BOTTOM CORNER



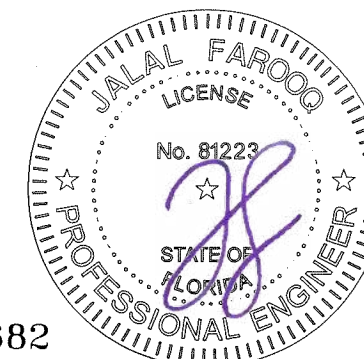
FRAME BOTTOM CORNER

#8 X 3/4" PH SMS  
AT 3" FROM ENDS  
AND 14-1/2" O.C.  
(3) AT MTG. STILE LOCATION  
AT 3" O.C.  
SEE SHEET 9



HI-RISE THRESHOLD COVER

Sealed: 7/12/2023



FL #17682

**afc**  
**AL-FAROOQ CORPORATION**  
ENGINEERS & PRODUCT DEVELOPMENT  
9360 SUNSET DRIVE, SUITE 220  
MIAMI, FLORIDA 33173 (C.A.N. 3538)  
TEL. (305) 264-8100 FAX. (305) 262-6978  
COMP-ANL\21-38F-AAG

SERIES 'SUMMIT' ALUMINUM OUT-SWING DOOR (L.M.I.)  
**Aldora Aluminum & Glass Products Inc.**  
4250 Coral Ridge Drive, Suite 101  
Coral Springs, FL. 33065  
Tel. (954) 784-6900 Fax. (954) 784-6901

revisions:	no	date	by	description

date: 05-04-21  
scale: -  
dr. by: TARIQ  
chk. by:

drawing no.  
**21-38F**

sheet 22 of 22