

# K2 Summit Impact Outswing Door

## MEDIUM STILE IMPACT DOOR

The K2 Summit is the pinnacle of impact doors. Designed to withstand high design pressures, the K2 Summit can be built to 8' x 10' pairs and can be equipped with a myriad of options including 4 different types of panic hardware, optional 3/4" jambs, 10" bottom rail and more.



### FEATURES:

- Up to 8'0" x 10' 0" pairs and with transom up to 12'-0"
- 2023 energy code compliant
- Panic equipped with Adams Rite or Sargent – Can be electrified
- Panic equipped with Von Duprin and Regent to 8' – Can be electrified
- 9/16" laminated or 1 5/16" laminated-insulated glass
- ADA bumper threshold
- The door stile and the door rails are flush with no steps in between preventing uneven gasket compression.
- Allow patio door locks hardware without jump to wide stile system, up to 2 3/8" of lock back set.
- At meeting stile it has 2 wool piles working at the same time, for better seal performance at air entry prevention.
- Door stile with a modern look.



### OPTIONS:

- Multiple panics
- Laminated or insulated laminated glazing
- Residential 3 point latch lever
- Butt hinges or continuous gear hinges
- 10" bottom rail
- 3/4" jambs
- Wool pile or bulb gaskets at hinge stile and lock stile.
- Impact door with transom
- Impact door with sidelite
- High res threshold

### POWDER COATING:

- Flat Black
- Aldora White
- Bermuda Bronze
- Custom Color Matching

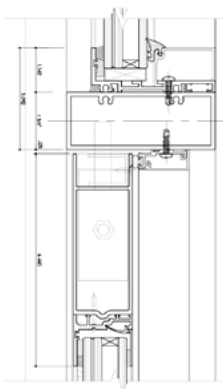


# K2 SUMMIT IMPACT

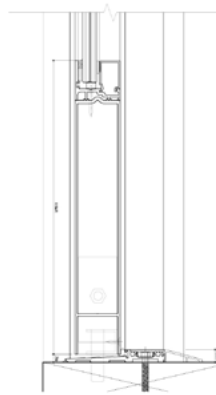
## OUTSWING DOOR

### Details:

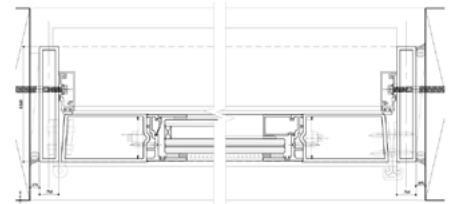
- 9/16" or 1 5/16" Glazing
- 3/4" Jambs Optional
- Multiple Panics Available
- 4' x 10' Panels



K2 SUMMIT 1 5/16" INSULATED LAMINATED GLASS AND 9/16" LAMINATED GLASS WITH TRANSOM

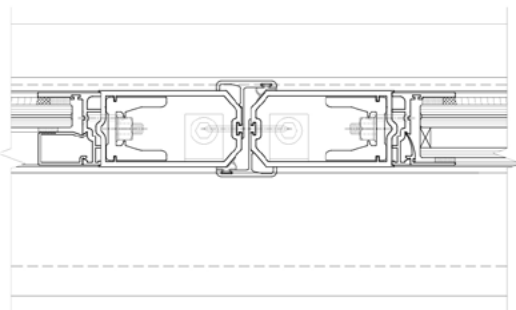


ADA BUMPER THRESHOLD WITH 10" BOTTOM RAIL



9/16 LAMINATED AND 1 5/16" LAMINATED INSULATION GLASS WITH 1 3/4" STANDARD AND 3/4" JAMBS, ALSO WITH BUTT HINGES AND CONTINUOUS GEAR HINGE

### Performance:



K2 SUMMIT MEETING STILES WITH 9/16" AND 1 5/16" GLAZING AND ASTRAGALS

GLASS LOADS	9/16" HS Uvekol or 1 5/16" w/ HS Uvekol	9/16" Uvekol Annealed	9/16" .090 Saflex Annealed	1 5/16" .090 Saflex HS
	+100/-100 spf	+90/-90 psf	+90/-90 psf	+90/-90 psf
WATER	15 lbs. (Please specify if water rated when ordering)			
MAX PANEL SIZE	Non-Reinforced		Reinforced	
	72" x 108" (optional transom to 10')		96" x 120" (optional transom to 12')	
APPROVED PANICS	Regent 4770	Von Duprin	Sargent	Adams Rite
	Max Dim 6' x 8'	Max Dim. 6' x 8'	Max Dim. 8' x 10'	Max Dim. 8' x 10"
TESTING PROTOCOL	Florida Building Code Approved			
	TAS 201 Passed	TAS 202 Passed	TAS 203 Passed	ANSI Z97 Passed



[ALDORAGLASS.COM](http://ALDORAGLASS.COM)